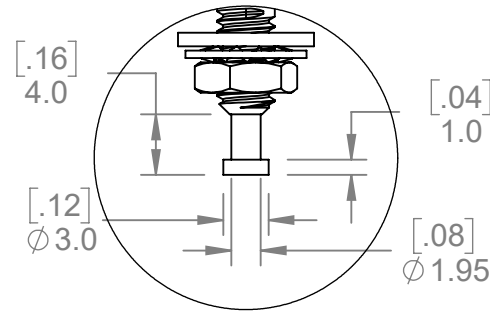


THIS IS ISSUED IN STRICT CONFIDENCE THAT IT IS NOT USED AS A BASIS FOR MANUFACTURE OR SALE AND THAT IT IS NOT COPIED, REPRINTED OR DISCLOSED TO A THIRD PARTY EITHER WHOLLY OR IN PART WITHOUT THE PRIOR WRITTEN CONSENT OF CAL TEST ELECTRONICS, INC.

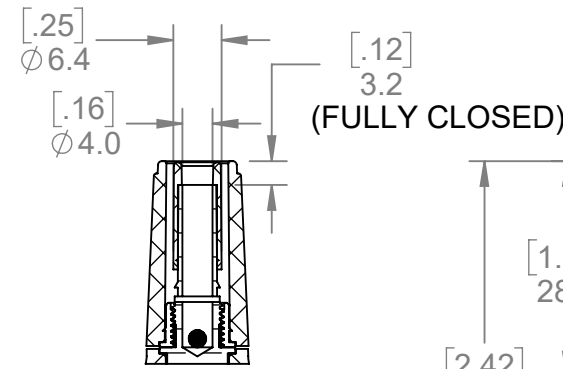
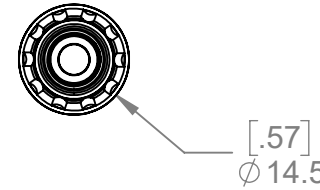
NOTES:

1. MATERIAL:  
BODY, CAP & INNER INSULATOR: NYLON 6.6 (PA), UL94-1,  
COLORS: BODY & INNER INSULATOR, GREY; CAP, PER PART NUMBER.
2. SPECIFICATIONS:  
VOLTAGE: 600 V \*NRMCS, PER IEC/EN 61010-1. (\*NO RATED MASURMENT CATEGORY)  
CURRENT: 36 A MAX.  
OPERATING TEMPERATURE: 0°C TO +60°C
3. CROSS-HOLE ALIGNED ±3° PERPEDICULAR TO MOUNTING FLATS.
4. MAXIMUM PANEL THICKNESS: 9 mm.
5. MAXIMUM TIGHTENING TORQUE ON M12 PANEL NUT: 2.3 N.m (1.70 FT-LBF).
6. RECOMMENDED ASSEMBLY TOOL: CT2246A.
7. HARDWARE INCLUDED (1 EACH):  
① PANEL NUT (CT2830)  
② M4 FLAT WASHER  
③ M4 LOCK WASHER  
④ M4 NUT
8. ROHS 2 COMPLIANT; EXEMPTION ANNEX III 6(C)
9. WEIGHT: 18.3 GRAMS

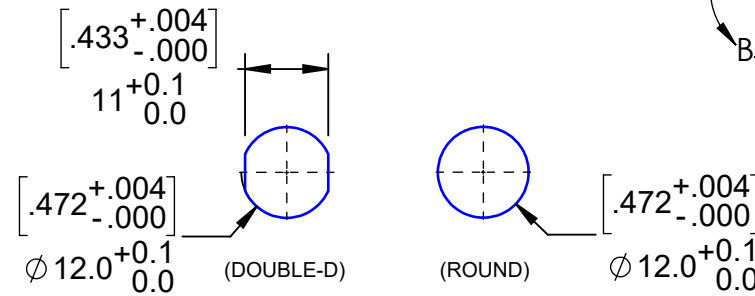
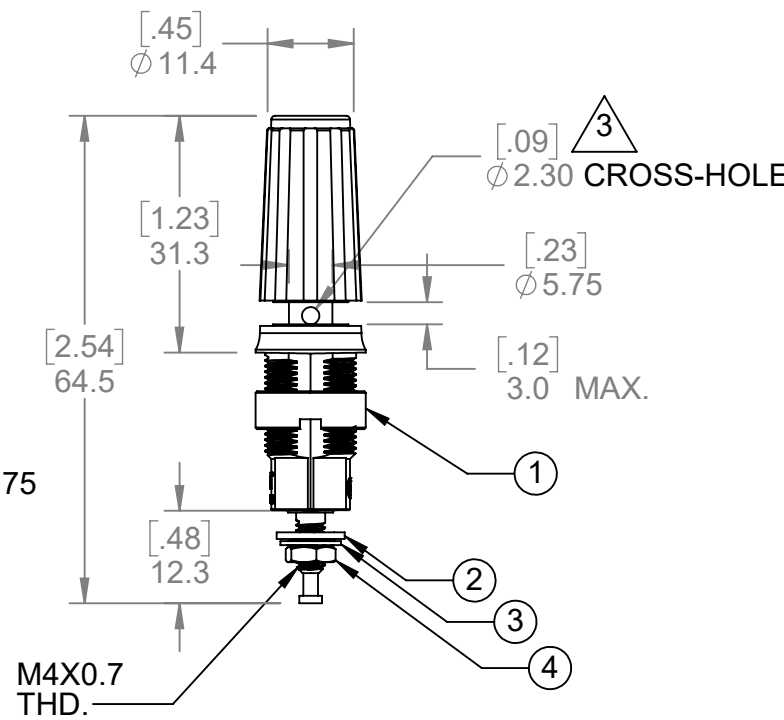
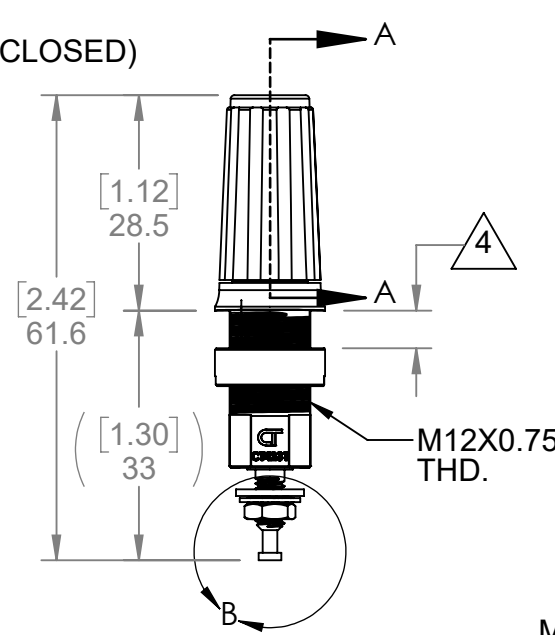
REVISIONS			
REV.	DESCRIPTION	DATE	APPROVED
A	CLASS A RELEASE	5/14/2019	



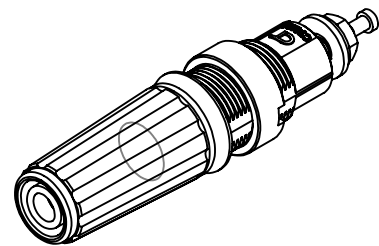
DETAIL B  
SCALE 2 : 1  
(SOLDER TURRET)



SECTION A-A



MOUNTING HOLES



ISOMETRIC VIEW

PART NUMBER	CONFIGURATION / PLATING	CAP COLOR
CT4231-NI-5	NICKEL PLATED	GREEN
CT4231-NI-2	NICKEL PLATED	RED
CT4231-NI-0	NICKEL PLATED	BLACK

PART NUMBER TABLE

<b>METRIC</b>	UNLESS OTHERWISE SPECIFIED DIMENSIONS ARE IN MILLIMETERS TOLERANCES ARE: PER DIN ISO 2768m		PROJECT NO. <b>C368</b>		<b>Cal Test Electronics</b> 22820 Savi Ranch Parkway Yorba Linda, CA 92887		
	DO NOT SCALE DRAWING		APPROVALS	DATE			
THIRD ANGLE PROJECTION	MATERIAL SEE NOTES		DRAWN WDH	5/1/2019	<b>4 mm SAFETY BINDING POST, PANEL MOUNT</b>		
	TREATMENT		CHECKER T.Schmidt	5/14/2019			
	FINISH SEE NOTES		ENGR. B.Hansen	5/14/2019	SIZE <b>B</b>	CAGE CODE <b>43F45</b>	DWG. NO. <b>P423100</b>
			SCALE 1:1		SHEET 1 OF 1		

## X-ON Electronics

Largest Supplier of Electrical and Electronic Components

*Click to view similar products for [Test Plugs & Test Jacks](#) category:*

*Click to view products by [Cal Test](#) manufacturer:*

Other Similar products are found below :

[01-2601-4-0210](#) [01-2601-4-0212](#) [01-2604-4-0212](#) [01-2604-5-0210](#) [01-2150-1-0312](#) [01-2350-1-02](#) [01-2352-1-02](#) [01-2368-1-02](#) [01-2604-4-0210](#) [01-2604-5-0212](#) [01-2606-4-0210](#) [01-2606-4-0212](#) [01-2606-5-0212](#) [M39024/10-01G](#) [M39024/10-17G](#) [M39024/11-09G](#) [M39024/11-42](#) [M39024/11-43](#) [M39024/12-08](#) [707-5311](#) [707-5402-01-19](#) [707-5410](#) [923739-40-I](#) [R644543000](#) [R948161000](#) [R999351000](#) [1408-4](#) [1499-101](#) [1533-1](#) [1659559](#) [1659567](#) [1663921](#) [1663939](#) [1696-102](#) [174-R825B-EX](#) [NYS508-BU](#) [NYS508-O](#) [211-101](#) [RS100GBL](#) [RS250GBL](#) [251-102](#) [25-2251-2-03](#) [25-2259-2-03](#) [923743-16-I](#) [923743-24-I](#) [923743-28-I](#) [2854-BLU](#) [2970-BLK](#) [30-443G](#) [1680](#)