

Medium Insulated Alligator Clip With DIY Solder Connection

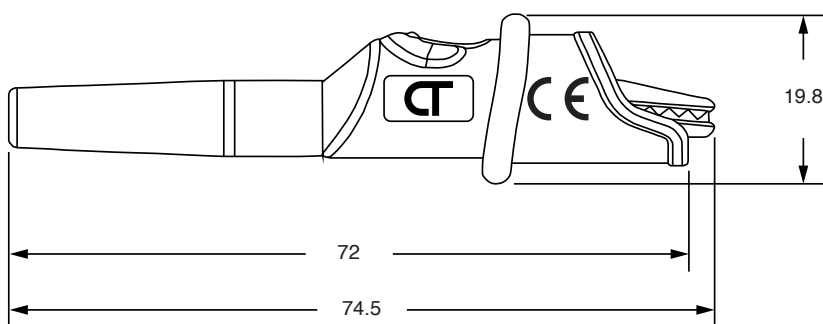
CT4433-#



Features:

- IEC 61010-031 rated to 1,000 V CAT III / 600 V CAT IV
- 10 A Max
- Jaw opens to 8.5 mm
- Three-incisor mouth to ensure grip on screw heads.
- Build your own test lead
- Fits up to 13 AWG wires
- CE listed
- RoHS 2 Compliant

Mechanical Drawing: *Dimensions in mm, not to scale*



Description:

The CT4433 is rated to 1,000 V CAT III / 600 V CAT IV^a and 10 A max.

The clip comes with a solder slot for connections to test lead wire up to 13 AWG. This clip accommodates conductors up to 7 mm in diameter. Once in place, the spring loaded, three-incisor mouth will hold securely to screw heads or flat headed objects.

The CT4433 is available in black or red. The CT4434 includes both colors.

a. Must be used in conjunction with other similarly rated products.

Order Information:

CT4433-#

Medium Insulated Alligator Clip With DIY Solder Connection

- Color - replace '-#' with dash number:
-0 Black, -2 Red

CT4434

Medium Insulated Alligator Clip With DIY Solder Connection,
B/R pair

Contact Info:

Toll Free: 800-572-1028 (US Only)

Phone: 714-221-9330

Fax: 714-921-9849

22820 Savi Ranch Parkway

Yorba Linda, CA 92887-4610 USA

www.caltestelectronics.com



CE

Copyright © 2020, Cal Test Electronics, Inc. All rights reserved. Information in this publication supersedes that in all previously published material. Trade names referenced are the service marks, trademarks or registered trademarks of their respective companies.

Specifications and appearance subject to change without notice
D443300 110320

2 - www.caltestelectronics.com

Cal Test
ELECTRONICS

X-ON Electronics

Largest Supplier of Electrical and Electronic Components

Click to view similar products for [Test Clips](#) category:

Click to view products by [Cal Test](#) manufacturer:

Other Similar products are found below :

[010000](#) [923743-16](#) [923850-C](#) [BU-656-0](#) [4140A](#) [4324A](#) [TL820](#) [TL822](#) [5116](#) [5450](#) [5216](#) [5252](#) [5454](#) [5694](#) [923700](#) [923698](#) [CR0060](#) [3038](#)
[927739-20](#) [923743-14](#) [923743-40](#) [932146101](#) [930318100](#) [930126101](#) [Z-SB3FA3250AAAB04001](#) [Z-S11F0107G1000](#) [Z-S11F0207B1520](#) [Z-](#)
[S11F0207B2030](#) [Z-S11F0207B15000](#) [Z-SB3FA3226AAAB11001](#) [Z-S11F0207B1010](#) [Z-S11F0207B3000](#) [923706](#) [930317800](#) [930317801](#)
[973889100](#) [972405100](#) [972405101](#) [923714](#) [R999720600](#) [949-1](#) [458-3](#) [SK 201200278 020](#) [BU-65-B](#) [BU-21CPN-GZZZ](#) [PK-HVA-02](#) [BU-](#)
[25C-DZZZ](#) [BU-142-2](#) [SAK 6675 NI / GNGE](#) [AK 7002 SN / GE](#)