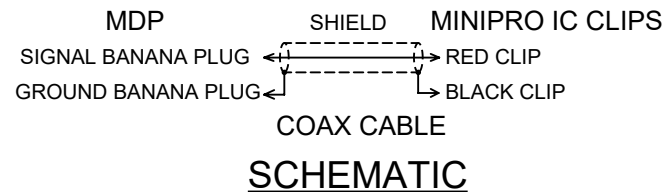
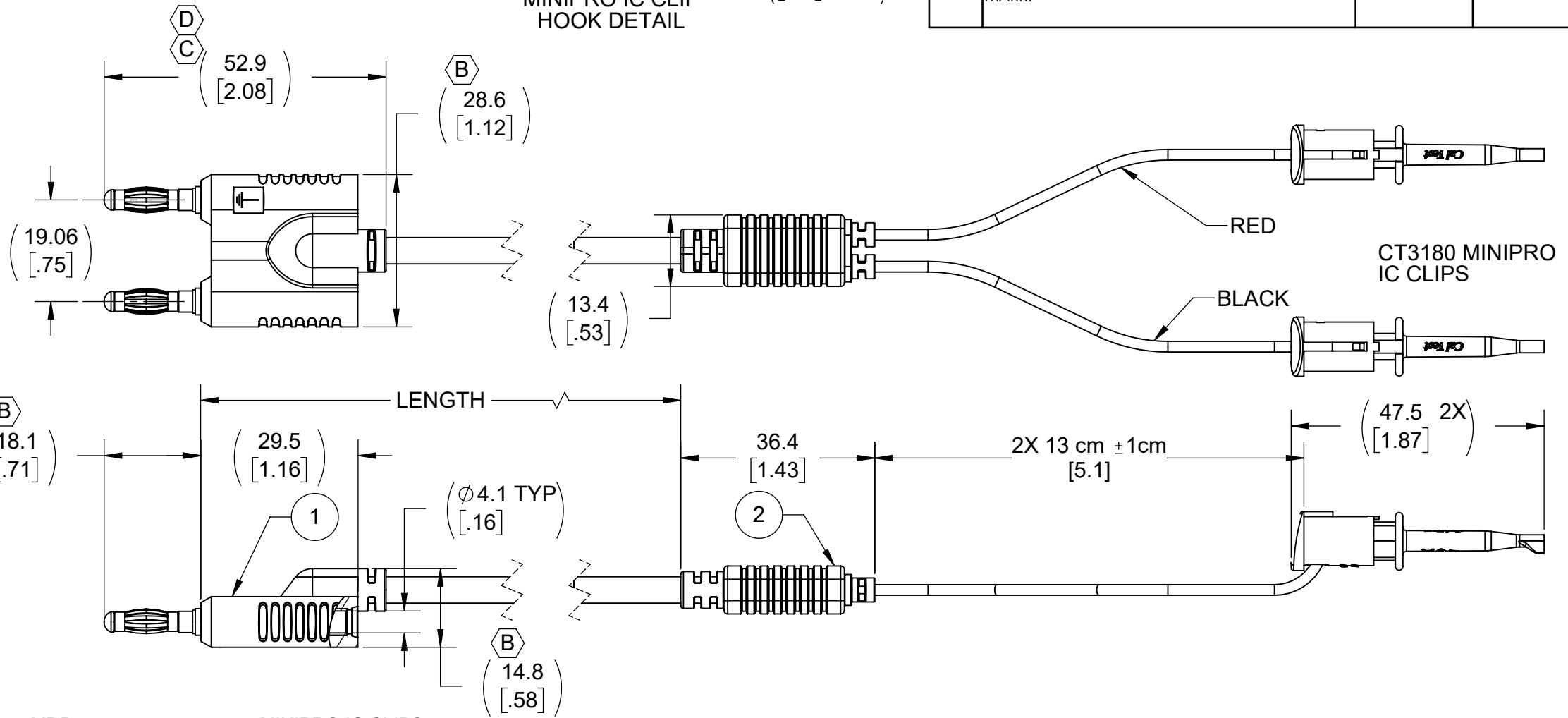
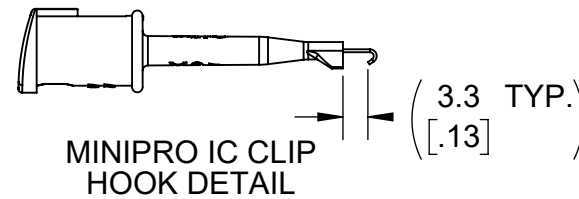


THIS IS ISSUED IN STRICT CONFIDENCE THAT IT IS NOT USED AS A BASIS FOR MANUFACTURE OR SALE AND THAT IT IS NOT COPIED, REPRINTED OR DISCLOSED TO A THIRD PARTY EITHER WHOLLY OR IN PART WITHOUT THE PRIOR WRITTEN CONSENT OF CAL TEST ELECTRONICS, INC.

REVISIONS			
REV.	DESCRIPTION	DATE	APPROVED
A	INITIAL RELEASE	6/3/2021	
B	ITEM I UPDATED TO V4.3.	6/23/2021	
C	DRAWING UPDATED TO NEW B SIZE FORMAT; DWG. NO. WAS P445700; MDP BODY UPDATED TO V4.3.1	11/3/2021	B. HANSEN
D	DIM 52.9 WAS 52.6; NOTE 1, ADDED 22 AWG (19X34), DELETED Ø3.5; NOTE 3, VOLTAGE WAS 300 VRMS, ADDED CURRENT; NOTE 5, ADDED CE MARK.	6/8/2022	B. HANSEN

**NOTES:**

- ALL SPECIFICATIONS SUBJECT TO CHANGE WITHOUT NOTICE.
- MATERIAL:**
  - MDP CONNECTOR -
    - MOLDED BODY: POLYPROPYLENE (PP), BLACK.
    - 4mm BANANA PLUGS -
      - BODY: BRASS, NICKEL PLT.
      - CAGE CONTACT: BECU, NICKEL PLT.
  - RG58C/U COAX CABLE -
    - JACKET: PVC, BLACK; Ø4.95 O.D.
    - DIELECTRIC: PE
    - CENTER CONDUCTOR: 22 AWG (19X34) TINNED COPPER, STRANDED.
  - BREAKOUT: PVC, BLACK
  - MINIPRO IC CLIP -
    - BODY AND BARREL: NYLON (PA 6).
    - CONTACT: BECU, GOLD PLT.
- ELECTRICAL:**
  - IMPEDANCE:
    - ASSEMBLY: NON-CONSTANT
    - RG58C/U: 50Ω
  - VOLTAGE -
    - 30 VRMS / 60 VDC (HANDHELD)
    - 500 VRMS (HANDS FREE)
      - DO NOT USE ON CIRCUITS SUBJECT TO TRANSIENT OVERVOLTAGES.
  - CURRENT: 3 A MAX.
- MECHANICAL:**
  - OPERATING TEMPERATURE: 0°C TO +50°C
  - CABLE BEND RADIUS:
    - REPEATED MIN. - 49.8 mm
    - ONE-TIME MIN. - 25 mm
- CE MARK:**
  - ROHS 2 COMPLIANT.



CT4457-100	100 ± 1.5	-100
MODEL NUMBER	LENGTH & TOLERANCE (cm)	MODEL NUMBER -XXX EXTENSION

MODEL NUMBER TABLE			
THIRD ANGLE PROJECTION	UNLESS OTHERWISE SPECIFIED DIMENSIONS ARE IN MILLIMETERS TOLERANCES ARE: X.X = ±0.5 X.X* = ±0.5* X.XX = ±0.25 X.XXX = ±0.125 DO NOT SCALE DRAWING	PROJECT NO. <b>A660(a)</b>	<b>METRIC</b> 22820 Savi Ranch Prky. Yorba Linda, CA 92887 USA
	MATERIAL SEE NOTES	APPROVALS	TITLE <b>CABLE ASSEMBLY, MDP TO MiniPRO IC TEST CLIP BREAKOUTS, RG58C/U</b>
	TREATMENT N/A	DRAWN WDH	DATE 6/3/2021
FINISH N/A	ENGR. B. HANSEN	CHECKER	SIZE <b>B</b>
	DESIGN ACTIVITY ENGINEERING		CAGE CODE <b>43F45</b>
			DWG. NO. <b>CT4457</b>
			REV. <b>D</b>
			SCALE 1:1
			SHEET 1 OF 1

ITEM NO.	DESCRIPTION	QTY.
2	MOLDED BREAKOUT, 2mm PVC LEADS TO MINIPRO IC CLIPS	1
1	MOLDED ASSEMBLY, 4mm DOUBLE PLUG (MDP), RG58C/U CABLE	1

## X-ON Electronics

Largest Supplier of Electrical and Electronic Components

*Click to view similar products for [Audio Cables](#) / [Video Cables](#) / [RCA Cables](#) category:*

*Click to view products by [Cal Test](#) manufacturer:*

Other Similar products are found below :

[DB25M10DB25MY](#) [1-3737-600-3216](#) [LF3BLX](#) [30-513](#) [28-511-0](#) [RCA05RCAB](#) [426058900-3](#) [427493000-3](#) [49152A-010-S2](#) [32-3766](#)  
[32HR07284X](#) [CAB-LFH-V16A16S0](#) [DB25M02XLRMXLRFY](#) [LF1BKX](#) [DVI-I-VGA/DVI-D-CBL-MATRIX](#) [VMP2YX](#) [TT746](#) [CN13B](#)  
[MDC8P53](#) [LF10GNX](#) [427492100-3](#) [LF4BLX](#) [426491500-3](#) [cab-DP to HDMI Passive](#) [VGA CABLE](#) [DISPLAYPORT TO VGA CABLE](#)  
[TT3GNX](#) [1700021831-01](#) [Audio Cable](#) [427491690-3](#) [427528000-3](#) [TT2PX](#) [SPEAKER CABLE L=300mm](#) [1700000898](#) [Speaker cable](#)  
[594E3412000E](#) [32007-005500-200-RS](#) [BAPHG](#) [VAB-S04-L](#) [104600030](#) [104600601](#) [104911001](#) [35HR03635X](#) [110028919](#) [11.04.5505](#)  
[11.04.5522](#) [11.04.5736](#) [11.04.5740](#) [11.04.5780](#) [11.04.5782](#)