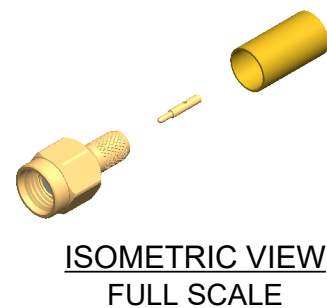
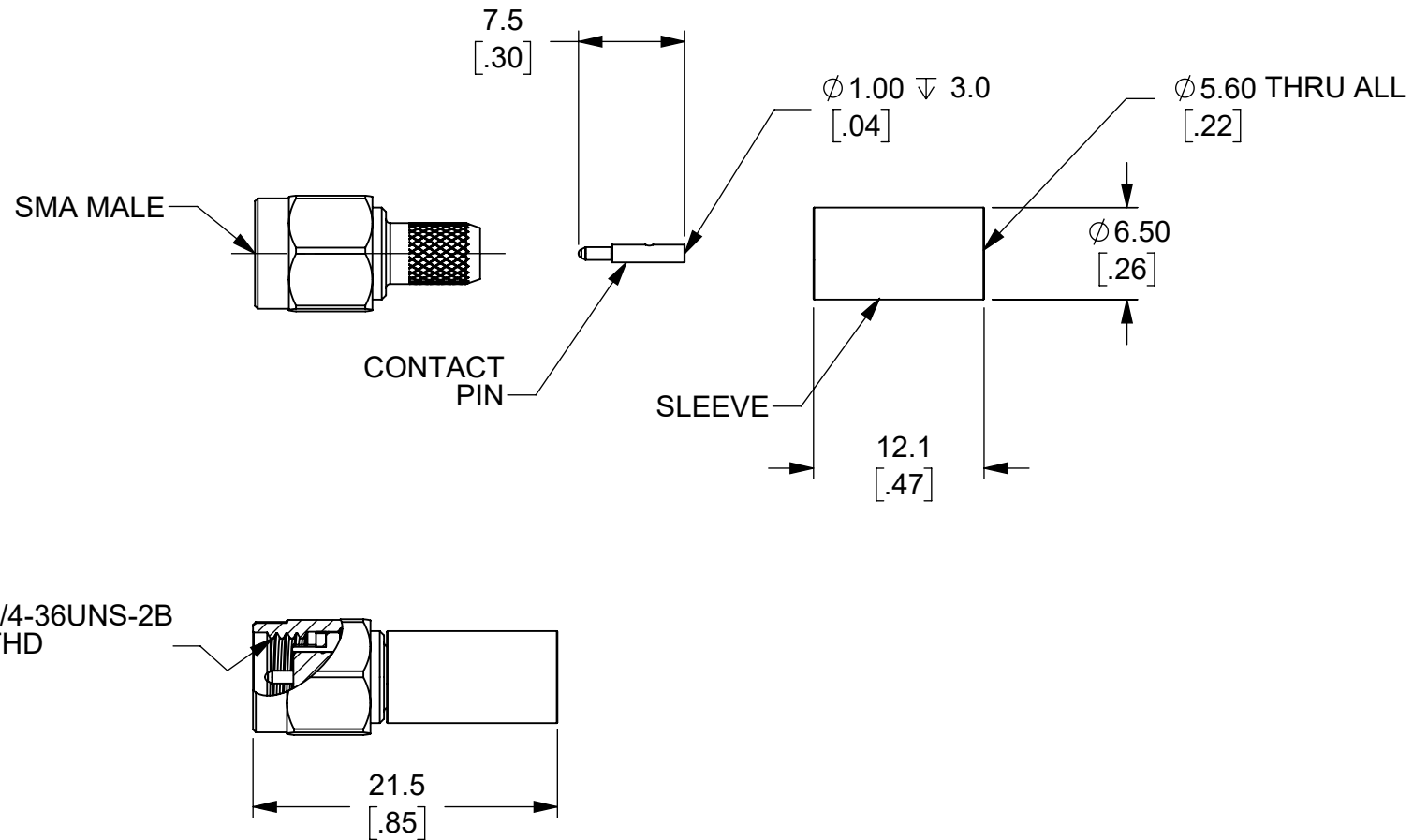


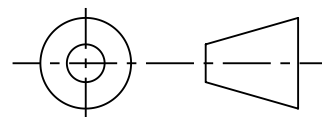
THIS IS ISSUED IN STRICT CONFIDENCE THAT IT IS NOT USED AS A BASIS FOR MANUFACTURE OR SALE AND THAT IT IS NOT COPIED, REPRINTED OR DISCLOSED TO A THIRD PARTY EITHER WHOLLY OR IN PART WITHOUT THE PRIOR WRITTEN CONSENT OF CAL TEST ELECTRONICS, INC.

REVISIONS			
REV.	DESCRIPTION	DATE	APPROVED
A	INITIAL RELEASE	11/15/2023	B. Hansen

- NOTES:**
- ALL SPECIFICATIONS SUBJECT TO CHANGE WITHOUT NOTICE.
 - ADAPTER TO MEET OR EXCEED ALL SPECIFICATIONS PER MIL-PRF-39012.
 - MATING DIMENSIONS IN ACCORDANCE WITH MIL-STD-348.
 - VSWR AND FREQUENCY RANGE SPECIFICATIONS ARE FOR REFERENCE AND ARE DEPENDENT ON CABLE TYPE AND OTHER APPLICATION SPECIFIC CONDITIONS.
 - MATERIAL:
 - BODY AND COUPLING NUT: BRASS, GOLD PLATED
 - CENTER CONTACT: BRASS, GOLD PLATED
 - FERRULE: BRASS, GOLD PLATED
 - DIELECTRIC: PTFE
 - ELECTRICAL:
 - IMPEDANCE: 50 Ω
 - FREQUENCY: DC - 12 GHz
 - INSERTION LOSS: $\leq 0.05 \times \sqrt{f(\text{GHz})}$ dB
 - CONTACT CURRENT: DC 2.0 A MAX
 - RF LEAKAGE: ≤ -60 dB (BETWEEN 2 - 3 GHz)
 - CONTACT RESISTANCE:
 - CENTER: 3.0 mΩ
 - OUTER: 2.5 mΩ
 - WORKING VOLTAGE: 335 Vrms
 - INSULATION RESISTANCE: 5,000 MΩ MIN
 - VSWR:
 - 1.15:1 (-23dB) @ DC - 12 GHz
 - CABLE TYPE:
 - THE CT4498 IS INTENDED TO BE USED WITH THE FOLLOWING TYPES OF CABLE:
 - RG-142
 - RG-223
 - RG-400
 - ASSEMBLY INSTRUCTIONS ON SHEET 2 OF 2.
 - MECHANICAL:
 - RECOMMENDED TORQUE: 0.3 Nm TO 0.6 Nm
 - TEMPERATURE RANGE: -65°C TO +125°C
 - CENTER CONTACT CAPTIVATED: ≥ 27 N
 - RoHS AND REACH COMPLIANT



THIRD ANGLE PROJECTION




REFERENCE

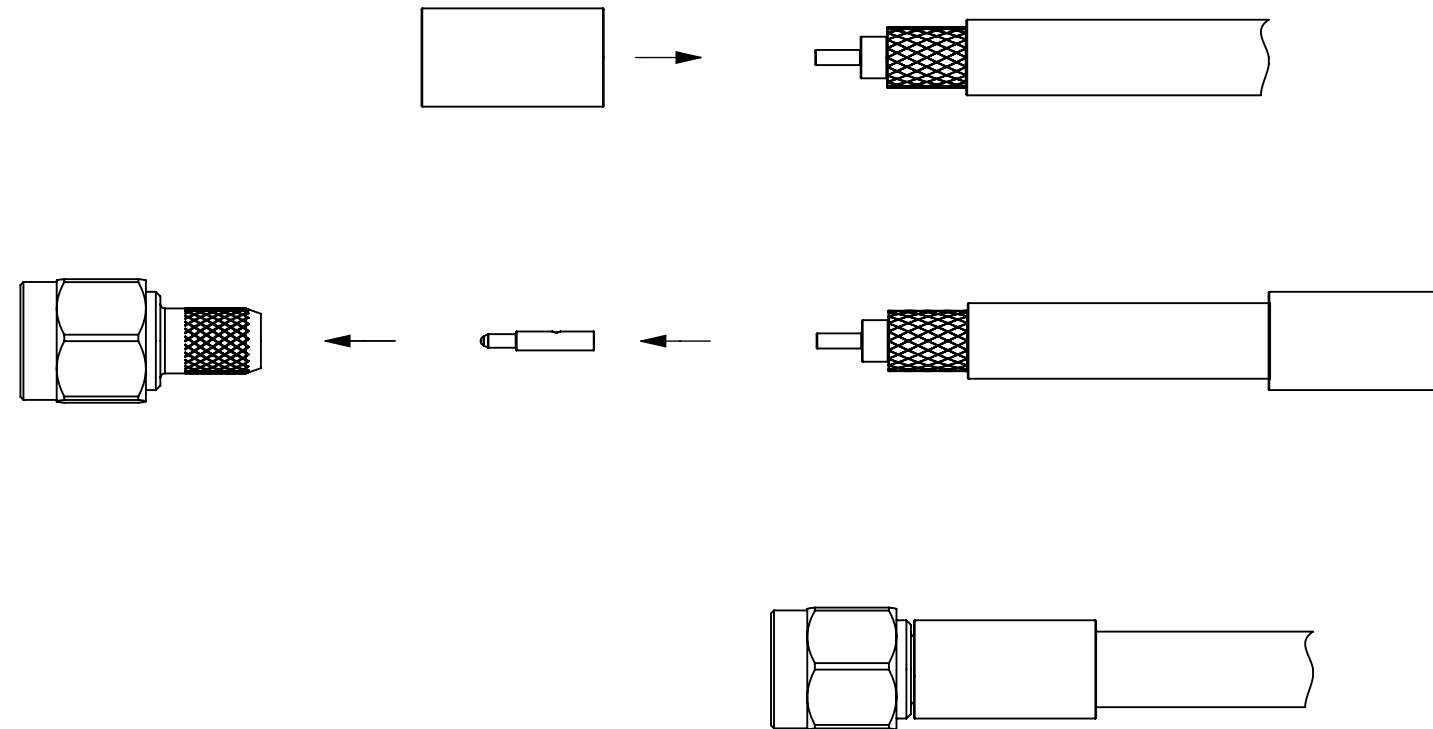
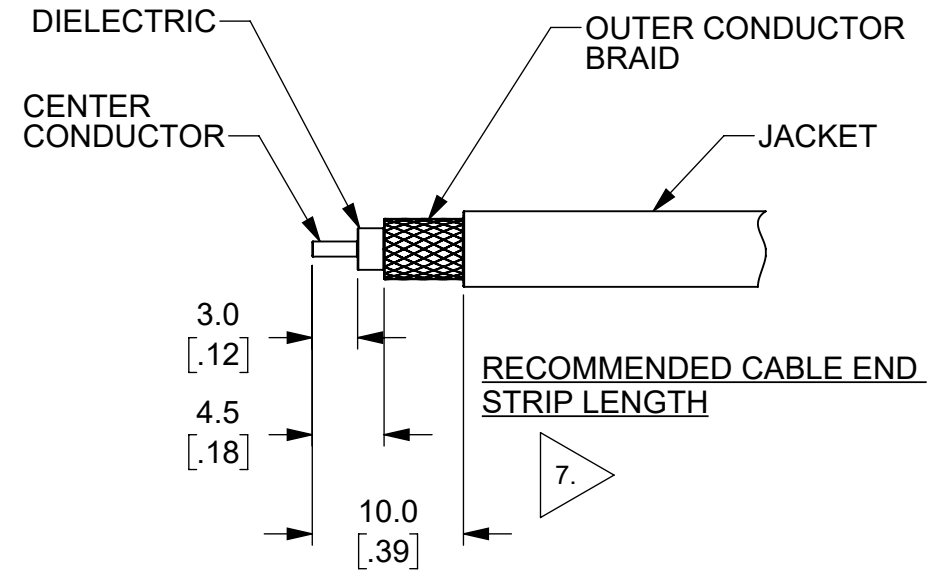
CT4498	CONNECTOR, CRIMP	IN-SERIES CONNECTOR
MODEL NUMBER	CONFIGURATION	NOTES / REFERENCE

MODEL NUMBER TABLE			
UNLESS OTHERWISE SPECIFIED DIMENSIONS ARE IN MILLIMETERS TOLERANCES ARE: X.X = ±0.5 X.X* = ±0.5* X.XX = ±0.25 X.XXX = ±0.125 DO NOT SCALE DRAWING	PROJECT NO.		22820 Savi Ranch Prky. Yorba Linda, CA 92887 USA
	APPROVALS	DATE	
MATERIAL SEE NOTES	DRAWN GSG	9/14/2023	TITLE CONNECTOR, SMA MALE, DIY CRIMP
TREATMENT NONE	CHECKER B. HANSEN	9/14/2023	SIZE B
FINISH SEE NOTES	ENGR. B. HANSEN	9/14/2023	CAGE CODE 43F45
	DESIGN ACTIVITY		DWG. NO. CT4498
			REV. A
			SCALE 2:1
			SHEET 1 OF 2

THIS IS ISSUED IN STRICT CONFIDENCE THAT IT IS NOT USED AS A BASIS FOR MANUFACTURE OR SALE AND THAT IT IS NOT COPIED, REPRINTED OR DISCLOSED TO A THIRD PARTY EITHER WHOLLY OR IN PART WITHOUT THE PRIOR WRITTEN CONSENT OF CAL TEST ELECTRONICS, INC.

ASSEMBLY INSTRUCTIONS:

1. SLIDE CRIMP SLEEVE ONTO CABLE JACKET.
2. STRIP COAXIAL CABLE END 
3. INSERT CENTER CONDUCTOR INTO PIN HOLE DIAMETER.
4. CRIMP OR SOLDER PIN TO CENTER CONDUCTOR
5. FLARE THE OUTER CONDUCTOR BRAID.
6. INSERT CONTACT PIN FIRMLY INTO POSITION IN SMA CONNECTOR
7. ENSURE THE OUTER CONDUCTOR BRAID SEATS PROPERLY AND UNIFORMLY AROUND THE OUTER SURFACE OF THE SMA CRIMP POST.
8. SLIDE SLEEVE OVER BRAID AND POST
9. CRIMP SLEEVE TO THE SMA CRIMP POST USING THE RECOMMENDED CRIMPING TOOL



METRIC	APPROVALS	DATE	SIZE	CAGE CODE	DWG. NO.	REV.
	DRAWN GSG	9/14/2023	B	43F45	CT4498	A
	CHECKER B. HANSEN	9/14/2023	SCALE 2:1	SHEET 2 OF 2		

X-ON Electronics

Largest Supplier of Electrical and Electronic Components

Click to view similar products for [RF Connectors / Coaxial Connectors](#) *category:*

Click to view products by [Cal Test](#) *manufacturer:*

Other Similar products are found below :

[89674-0827](#) [6059674-1](#) [630059-000](#) [6501-1071-002](#) [6769](#) [7002-1541-010](#) [7002-1572-002](#) [7004-1512-000](#) [7009-1511-004](#) [7101-1541-010](#)
[7101-1571-002](#) [7105-1521-002](#) [7203-1571-003](#) [7209-1511-011](#) [7210-1511-040](#) [7242-1511-000](#) [7405-1521-005](#) [7405-1521-802](#)
[804S01D04M040](#) [8527](#) [8547](#) [FS11V](#) [877931](#) [8808-1511-001](#) [9049-9513-000](#) [9074-9513-000](#) [PL11C-026](#) [PL40-36](#) [9408-1113-000](#) [980-](#)
[8666-005](#) [11 SMA-50-2-6 / 111 NE](#) [11 SMA-50-3-6 / 111 NE](#) [1-201144-1](#) [120919](#) [R107003010W](#) [R112186000](#) [R113053000W](#) [R113082097](#)
[R113236000](#) [R114083000](#) [R114670000W](#) [R123415000W](#) [R124076320](#) [R124076450](#) [R124175123](#) [R125075000W](#) [R125075001](#)
[R125172000W](#) [R125415030](#) [R141007161](#)