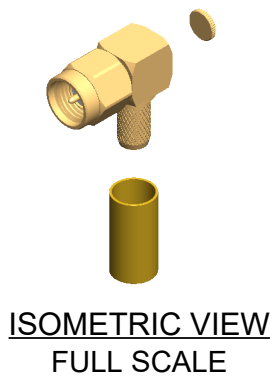
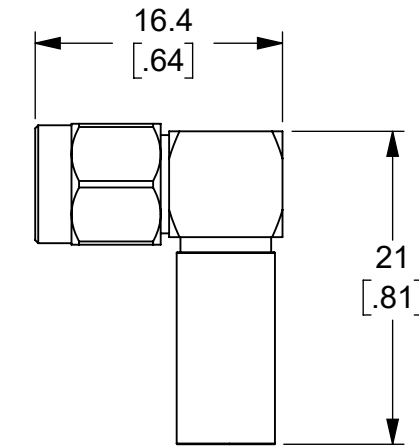
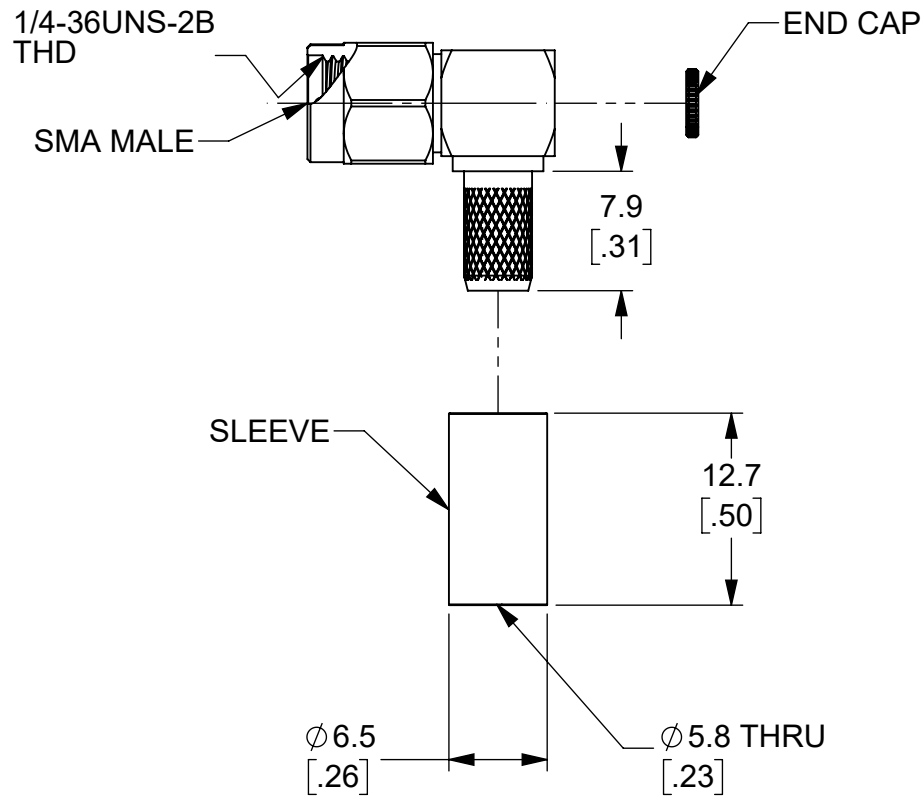


THIS IS ISSUED IN STRICT CONFIDENCE THAT IT IS NOT USED AS A BASIS FOR MANUFACTURE OR SALE AND THAT IT IS NOT COPIED, REPRINTED OR DISCLOSED TO A THIRD PARTY EITHER WHOLLY OR IN PART WITHOUT THE PRIOR WRITTEN CONSENT OF CAL TEST ELECTRONICS, INC.

REVISIONS			
REV.	DESCRIPTION	DATE	APPROVED
A	INITIAL RELEASE	11/15/2023	B. Hansen


- NOTES:**
- ALL SPECIFICATIONS SUBJECT TO CHANGE WITHOUT NOTICE.
 - ADAPTER TO MEET OR EXCEED ALL SPECIFICATIONS PER MIL-PRF-39012.
 - MATING DIMENSIONS IN ACCORDANCE WITH MIL-STD-348.
 - FREQUENCY RANGE SPECIFICATIONS ARE FOR REFERENCE AND ARE DEPENDENT ON CABLE TYPE AND OTHER APPLICATIONS SPECIFIC CONDITIONS.
 - MATERIAL:
 - BODY: BRASS, GOLD PLATED
 - CENTER CONTACT: BRASS, GOLD PLATED
 - SLEEVE: BRASS GOLD PLATED
 - END CAP: BRASS, GOLD PLATED
 - DIELECTRIC: PTFE
 - ELECTRICAL:
 - IMPEDANCE: 50 Ω
 - FREQUENCY: DC - 12 GHz
 - WORKING VOLTAGE: 335 Vrms
 - CABLE TYPE:
 - THE CT4499 IS INTENDED TO BE USED WITH THE FOLLOWING TYPES OF CABLE:
 - RG-142
 - RG-223
 - RG-400
 - ASSEMBLY INSTRUCTIONS ON SHEET 2 OF 2.
 - MECHANICAL:
 - RECOMMENDED TORQUE: 0.3 Nm TO 0.6 N
 - TEMPERATURE RANGE: -65°C TO +125°C
 - CENTER CONTACT CAPTIVATED: ≥27N
 - RoHS AND REACH COMPLIANT

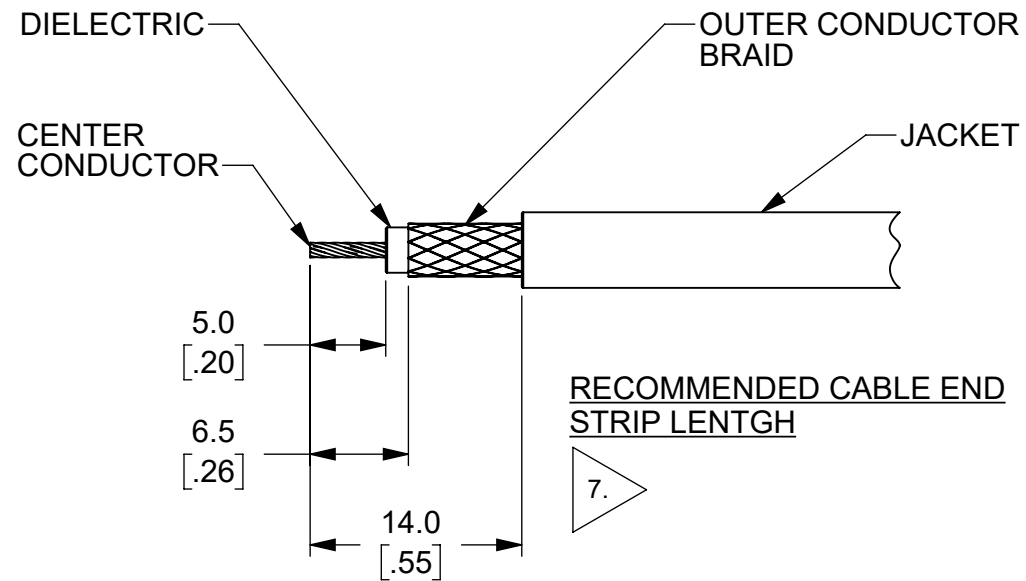
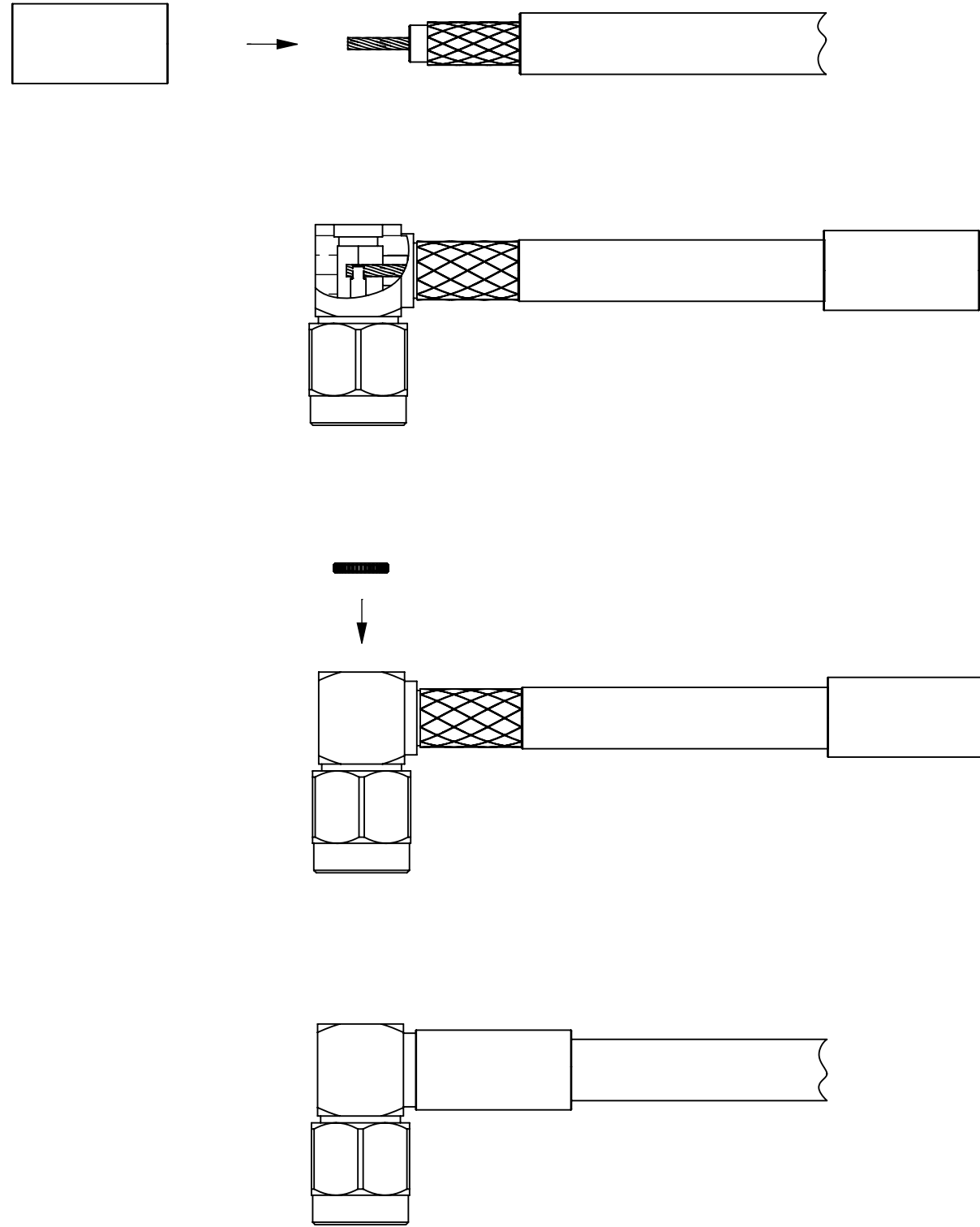


CT4499	RIGHT-ANGLE CONNECTOR, CRIMP	IN-SERIES CONNECTOR
MODEL NUMBER	CONFIGURATION	NOTES / REFERENCE
MODEL NUMBER TABLE		
THIRD ANGLE PROJECTION 	UNLESS OTHERWISE SPECIFIED DIMENSIONS ARE IN MILLIMETERS TOLERANCES ARE: X.X = ±0.5 X.X* = ±0.5* X.XX = ±0.25 X.XXX = ±0.125 DO NOT SCALE DRAWING	PROJECT NO. APPROVALS DATE TITLE METRIC Cal Test ELECTRONICS 22820 Savi Ranch Prky. Yorba Linda, CA 92887 USA
	MATERIAL SEE NOTES	DRAWN GSG 10/4/2023 CHECKER B. HANSEN 10/4/2023 ENGR. B. HANSEN 10/4/2023 DESIGN ACTIVITY
TREATMENT NONE	FINISH SEE NOTES	SIZE CAGE CODE DWG. NO. REV. B 43F45 CT4499 A
SCALE 2:1		SHEET 1 OF 2

THIS IS ISSUED IN STRICT CONFIDENCE THAT IT IS NOT USED AS A BASIS FOR MANUFACTURE OR SALE AND THAT IT IS NOT COPIED, REPRINTED OR DISCLOSED TO A THIRD PARTY EITHER WHOLLY OR IN PART WITHOUT THE PRIOR WRITTEN CONSENT OF CAL TEST ELECTRONICS, INC.

ASSEMBLY INSTRUCTIONS:

1. SLIDE CRIMP SLEEVE OVER CABLE JACKET
2. STRIP COAXIAL CABLE END 
3. FLARE OUTER CONDUCTOR BRAID
4. INSERT CABLE INTO SMA CONNECTOR SO THE CENTER CONDUCTOR SITS IN THE SLOTTED AREA OF THE CENTER PIN
5. SOLDER CABLE CENTER CONDUCTOR TO SMA CENTER PIN
6. PRESS END CAP SECURELY INTO POSITION
7. ENSURE THE OUTER CONDUCTOR BRAID SEATS PROPERLY AND UNIFORMLY AROUND THE OUTER SURFACE OF THE SMA CRIMP POST
8. SLIDE SLEEVE OVER BRAID AND POST
9. CRIMP SLEEVE TO SMA CRIMP POST USING THE RECOMMENDED CRIMP TOOL



METRIC	APPROVALS	DATE	SIZE	CAGE CODE	DWG. NO.	REV.
	DRAWN GSG	10/4/2023	B	43F45	CT4499	A
	CHECKER B. HANSEN	10/4/2023	SCALE 2:1	SHEET 2 OF 2		

X-ON Electronics

Largest Supplier of Electrical and Electronic Components

Click to view similar products for [RF Connectors / Coaxial Connectors](#) category:

Click to view products by [Cal Test](#) manufacturer:

Other Similar products are found below :

[89674-0827](#) [6059674-1](#) [630059-000](#) [6501-1071-002](#) [6769](#) [7002-1541-010](#) [7002-1572-002](#) [7004-1512-000](#) [7009-1511-004](#) [7101-1541-010](#)
[7101-1571-002](#) [7105-1521-002](#) [7203-1571-003](#) [7209-1511-011](#) [7210-1511-040](#) [7242-1511-000](#) [7405-1521-005](#) [7405-1521-802](#)
[804S01D04M040](#) [8527](#) [8547](#) [FS11V](#) [877931](#) [8808-1511-001](#) [9049-9513-000](#) [9074-9513-000](#) [PL11C-026](#) [PL40-36](#) [9408-1113-000](#) [980-](#)
[8666-005](#) [11 SMA-50-2-6 / 111 NE](#) [11 SMA-50-3-6 / 111 NE](#) [1-201144-1](#) [120919](#) [R107003010W](#) [R112186000](#) [R113053000W](#) [R113082097](#)
[R113236000](#) [R114083000](#) [R114670000W](#) [R123415000W](#) [R124076320](#) [R124076450](#) [R124175123](#) [R125075000W](#) [R125075001](#)
[R125172000W](#) [R125415030](#) [R141007161](#)