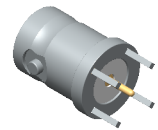
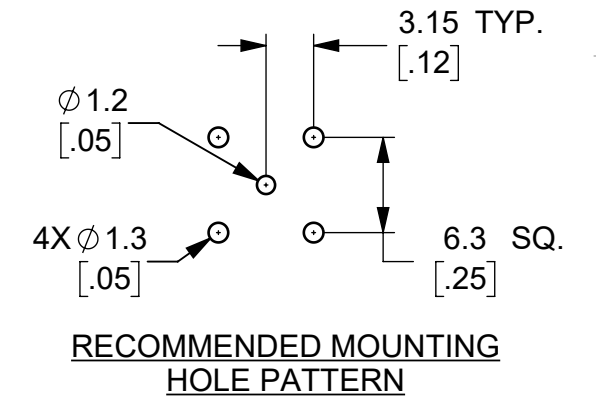
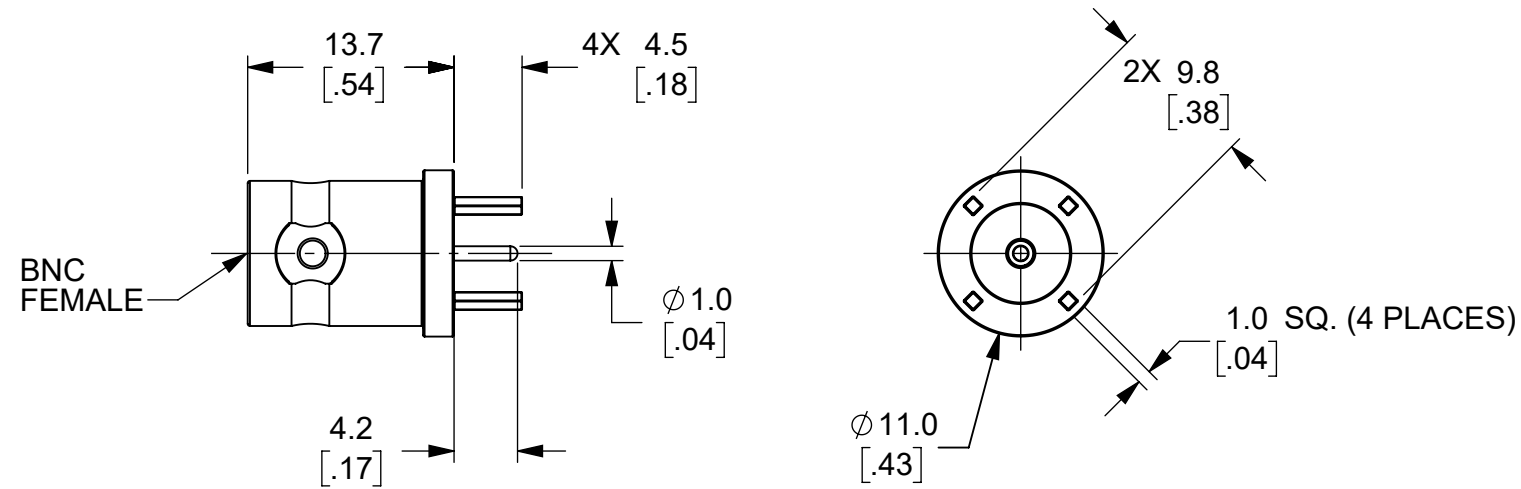


THIS IS ISSUED IN STRICT CONFIDENCE THAT IT IS NOT USED AS A BASIS FOR MANUFACTURE OR SALE AND THAT IT IS NOT COPIED, REPRINTED OR DISCLOSED TO A THIRD PARTY EITHER WHOLLY OR IN PART WITHOUT THE PRIOR WRITTEN CONSENT OF CAL TEST ELECTRONICS, INC.

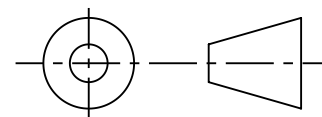
REVISIONS			
REV.	DESCRIPTION	DATE	APPROVED
A	INITIAL RELEASE	11/15/2023	B. Hansen

- NOTES:
- ALL SPECIFICATIONS SUBJECT TO CHANGE WITHOUT NOTICE.
 - ADAPTER TO MEET OR EXCEED ALL SPECIFICATIONS PER MIL-PRF-39012.
 - MATING DIMENSIONS IN ACCORDANCE WITH MIL-STD-348.
 - FREQUENCY RANGE SPECIFICATIONS ARE FOR REFERENCE AND ARE DEPENDENT ON CABLE TYPE AND OTHER APPLICATION SPECIFIC CONDITIONS.
 - MATERIAL:
 - BODY: BRASS, NICKEL PLATED
 - CENTER CONTACT: BRASS, GOLD PLATED
 - DIELECTRIC: PTFE
 - ELECTRICAL:
 - IMPEDANCE: 50Ω
 - FREQUENCY: DC - 2 GHz
 - WORKING VOLTAGE: 500 Vrms
 - MECHANICAL:
 - TEMPERATURE RANGE: -20°C TO +80°C
 - RoHS AND REACH COMPLIANT



ISOMETRIC VIEW
FULL SCALE


THIRD ANGLE PROJECTION



REFERENCE

CT4510	PCB MOUNT	IN-SERIES CONNECTOR
MODEL NUMBER	CONFIGURATION	NOTES / REFERENCE

MODEL NUMBER TABLE

UNLESS OTHERWISE SPECIFIED DIMENSIONS ARE IN MILLIMETERS TOLERANCES ARE: X.X = ±0.5 X.X* = ±0.5* X.XX = ±0.25 X.XXX = ±0.125 DO NOT SCALE DRAWING	PROJECT NO.		METRIC  22820 Savi Ranch Prky. Yorba Linda, CA 92887 USA
	APPROVALS	DATE	
MATERIAL SEE NOTES	DRAWN GSG	11/2/2023	CONNECTOR, BNC FEMALE, PCB MOUNT
TREATMENT NONE	CHECKER B. HANSEN	11/2/2023	
FINISH SEE NOTES	ENGR. B. HANSEN	11/2/2023	SIZE B
	DESIGN ACTIVITY		CAGE CODE 43F45
			DWG. NO. CT4510
			REV. A
			SCALE 2:1
			SHEET 1 OF 1

X-ON Electronics

Largest Supplier of Electrical and Electronic Components

Click to view similar products for [RF Connectors / Coaxial Connectors](#) *category:*

Click to view products by [Cal Test](#) *manufacturer:*

Other Similar products are found below :

[89674-0827](#) [6059674-1](#) [630059-000](#) [6501-1071-002](#) [6769](#) [7002-1541-010](#) [7002-1572-002](#) [7004-1512-000](#) [7009-1511-004](#) [7101-1541-010](#)
[7101-1571-002](#) [7105-1521-002](#) [7203-1571-003](#) [7209-1511-011](#) [7210-1511-040](#) [7242-1511-000](#) [7405-1521-005](#) [7405-1521-802](#)
[804S01D04M040](#) [8527](#) [8547](#) [FS11V](#) [877931](#) [8808-1511-001](#) [9049-9513-000](#) [9074-9513-000](#) [PL11C-026](#) [PL40-36](#) [9408-1113-000](#) [980-](#)
[8666-005](#) [11 SMA-50-2-6 / 111 NE](#) [11 SMA-50-3-6 / 111 NE](#) [1-201144-1](#) [120919](#) [R107003010W](#) [R112186000](#) [R113053000W](#) [R113082097](#)
[R113236000](#) [R114083000](#) [R114670000W](#) [R123415000W](#) [R124076320](#) [R124076450](#) [R124175123](#) [R125075000W](#) [R125075001](#)
[R125172000W](#) [R125415030](#) [R141007161](#)