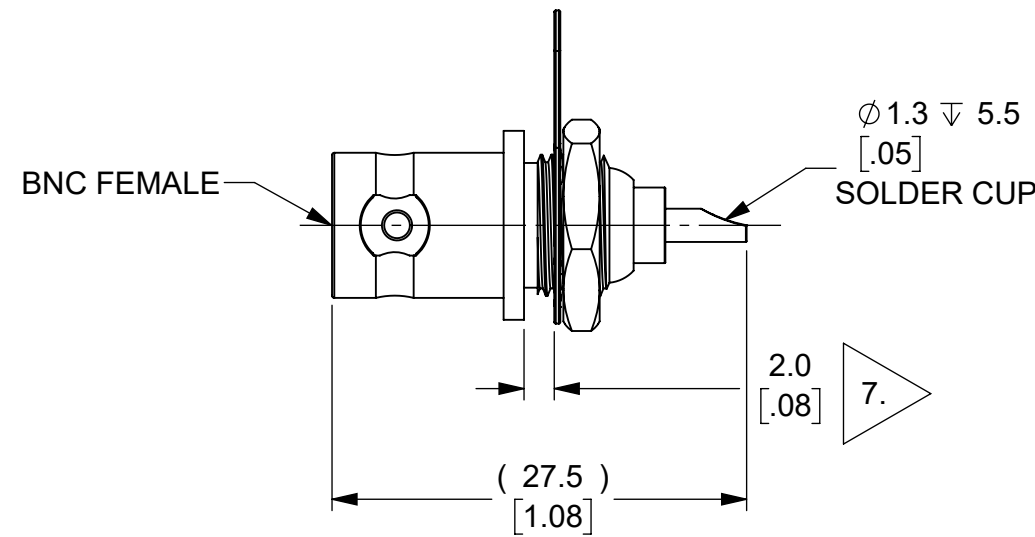
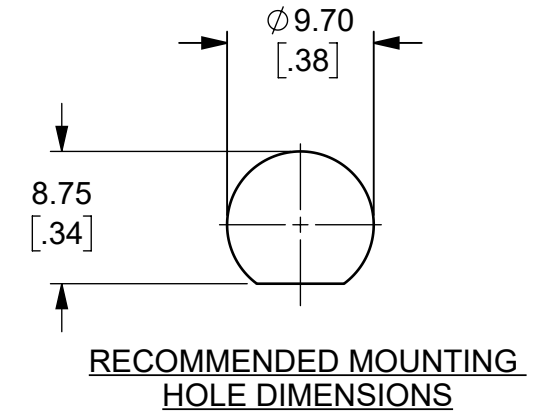
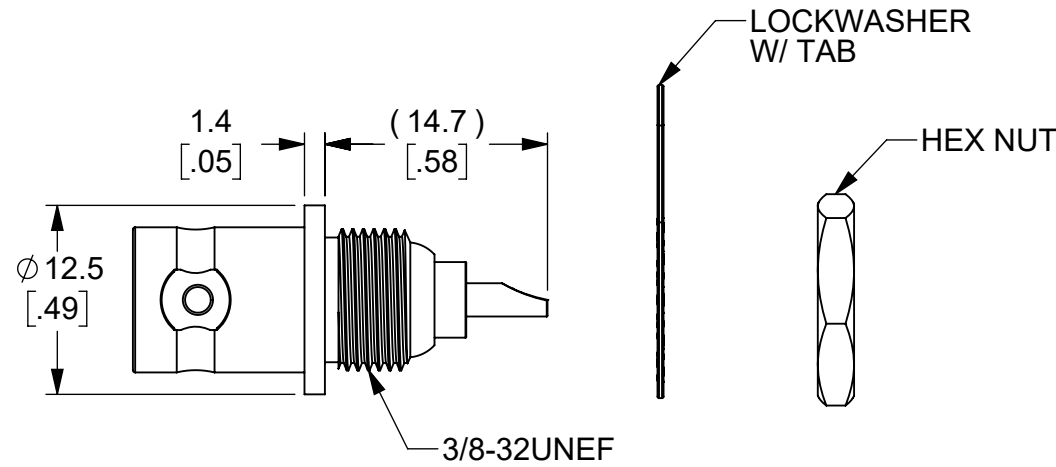


THIS IS ISSUED IN STRICT CONFIDENCE THAT IT IS NOT USED AS A BASIS FOR MANUFACTURE OR SALE AND THAT IT IS NOT COPIED, REPRINTED OR DISCLOSED TO A THIRD PARTY EITHER WHOLLY OR IN PART WITHOUT THE PRIOR WRITTEN CONSENT OF CAL TEST ELECTRONICS, INC.

REVISIONS			
REV.	DESCRIPTION	DATE	APPROVED
A	INITIAL RELEASE	11/15/2023	B. Hansen

NOTES:

- ALL SPECIFICATIONS SUBJECT TO CHANGE WITHOUT NOTICE.
- ADAPTER TO MEET OR EXCEED ALL SPECIFICATIONS PER MIL-PRF-39012.
- MATING DIMENSIONS IN ACCORDANCE WITH MIL-STD-348.
- FREQUENCY RANGE SPECIFICATIONS ARE FOR REFERENCE AND ARE DEPENDENT ON CABLE TYPE AND OTHER APPLICATION SPECIFIC CONDITIONS.
- MATERIAL:
  - BODY: BRASS, NICKEL PLATED
  - CENTER CONTACT: BRASS, GOLD PLATED
  - HEX NUT: BRASS, NICKEL PLATED
  - LOCKWASHER: BRASS, NICKEL PLATED
  - DIELECTRIC: DELRIN
- ELECTRICAL:
  - IMPEDANCE: 50Ω
  - FREQUENCY: DC - 2 GHz
  - WORKING VOLTAGE: 500 Vrms
- MAXIMUM PANEL THICKNESS: 2.0 mm
- MECHANICAL:
  - TEMPERATURE RANGE: -20°C TO +80°C
- RoHS AND REACH COMPLIANT



ISOMETRIC VIEW  
FULL SCALE

CT4512	BULKHEAD MOUNT	IN-SERIES CONNECTOR
MODEL NUMBER	CONFIGURATION	NOTES / REFERENCE

MODEL NUMBER TABLE			
THIRD ANGLE PROJECTION	UNLESS OTHERWISE SPECIFIED DIMENSIONS ARE IN MILLIMETERS TOLERANCES ARE: X.X = ±0.5    X.X* = ±0.5* X.XX = ±0.25 X.XXX = ±0.125 DO NOT SCALE DRAWING	PROJECT NO.	 22820 Savi Ranch Prky. Yorba Linda, CA 92887 USA
		APPROVALS	
REFERENCE	MATERIAL SEE NOTES	DRAWN	<b>CONNECTOR, BNC FEMALE, BULKHEAD MOUNT w/SOLDER CUP</b>
		CHECKER	
	TREATMENT NONE	ENGR.	TITLE SIZE <b>B</b> CAGE CODE <b>43F45</b> DWG. NO. <b>CT4512</b> REV. <b>A</b>
	FINISH SEE NOTES	DESIGN ACTIVITY	
		SCALE	SHEET 1 OF 1

## X-ON Electronics

Largest Supplier of Electrical and Electronic Components

*Click to view similar products for* [RF Connectors / Coaxial Connectors](#) *category:*

*Click to view products by* [Cal Test](#) *manufacturer:*

Other Similar products are found below :

[89674-0827](#) [6059674-1](#) [630059-000](#) [6501-1071-002](#) [6769](#) [7002-1541-010](#) [7002-1572-002](#) [7004-1512-000](#) [7009-1511-004](#) [7101-1541-010](#)  
[7101-1571-002](#) [7105-1521-002](#) [7203-1571-003](#) [7209-1511-011](#) [7210-1511-040](#) [7242-1511-000](#) [7405-1521-005](#) [7405-1521-802](#)  
[804S01D04M040](#) [8527](#) [8547](#) [FS11V](#) [877931](#) [8808-1511-001](#) [9049-9513-000](#) [9074-9513-000](#) [PL11C-026](#) [PL40-36](#) [9408-1113-000](#) [980-](#)  
[8666-005](#) [11 SMA-50-2-6 / 111 NE](#) [11 SMA-50-3-6 / 111 NE](#) [1-201144-1](#) [120919](#) [R107003010W](#) [R112186000](#) [R113053000W](#) [R113082097](#)  
[R113236000](#) [R114083000](#) [R114670000W](#) [R123415000W](#) [R124076320](#) [R124076450](#) [R124175123](#) [R125075000W](#) [R125075001](#)  
[R125172000W](#) [R125415030](#) [R141007161](#)