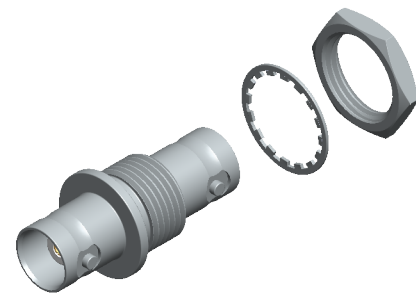
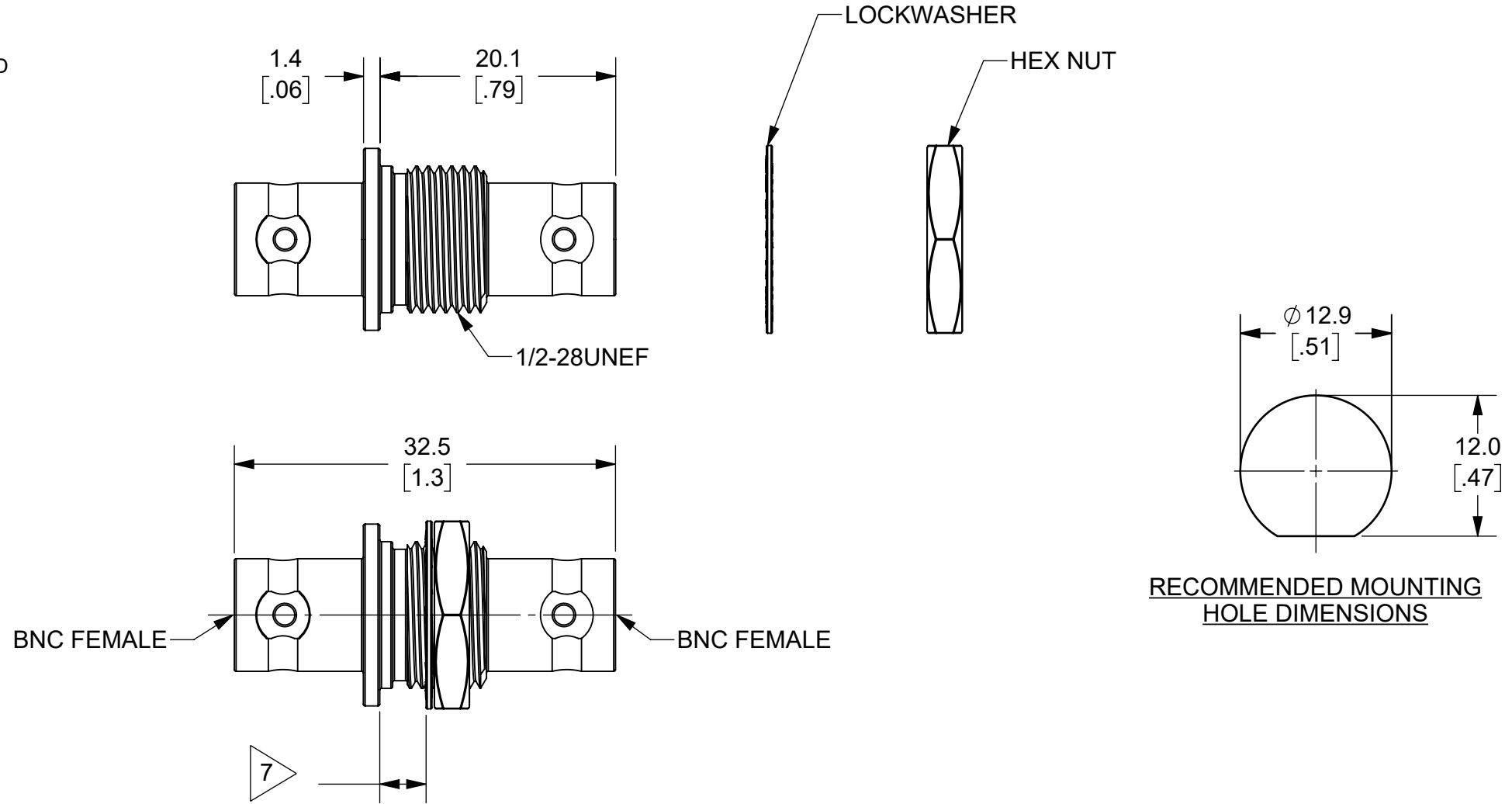


THIS IS ISSUED IN STRICT CONFIDENCE THAT IT IS NOT USED AS A BASIS FOR MANUFACTURE OR SALE AND THAT IT IS NOT COPIED, REPRINTED OR DISCLOSED TO A THIRD PARTY EITHER WHOLLY OR IN PART WITHOUT THE PRIOR WRITTEN CONSENT OF CAL TEST ELECTRONICS, INC.

REVISIONS			
REV.	DESCRIPTION	DATE	APPROVED
A	INITIAL RELEASE	11/15/2023	B. Hansen

- NOTES:
- ALL SPECIFICATIONS SUBJECT TO CHANGE WITHOUT NOTICE.
 - ADAPTER TO MEET OR EXCEED ALL SPECIFICATIONS PER MIL-PRF-39012.
 - MATING DIMENSIONS IN ACCORDANCE WITH MIL-STD-348.
 - FREQUENCY RANGE SPECIFICATIONS ARE FOR REFERENCE AND ARE DEPENDENT ON CABLE TYPE AND OTHER APPLICATION SPECIFIC CONDITIONS.
 - MATERIAL:
 - BODY: BRASS, NICKEL PLATED
 - CENTER CONTACT: BRASS, GOLD PLATED
 - HEX NUT: BRASS, NICKEL PLATED
 - LOCKWASHER: BRASS, NICKEL PLATED
 - DIELECTRIC: DELRIN
 - ELECTRICAL:
 - IMPEDANCE: 50Ω
 - FREQUENCY: DC - 2 GHz
 - WORKING VOLTAGE: 500 Vrms
 - MAXIMUM PANEL THICKNESS: 4.0 mm
 - MECHANICAL:
 - TEMPERATURE RANGE: -20°C TO +80°C
 - RoHS AND REACH COMPLIANT



ISOMETRIC VIEW
FULL SCALE

CT4513		BULKHEAD MOUNT		IN-SERIES CONNECTOR	
MODEL NUMBER		CONFIGURATION		NOTES / REFERENCE	
MODEL NUMBER TABLE					
THIRD ANGLE PROJECTION	UNLESS OTHERWISE SPECIFIED DIMENSIONS ARE IN MILLIMETERS TOLERANCES ARE: X.X = ±0.5 X.X* = ±0.5* X.XX = ±0.25 X.XXX = ±0.125 DO NOT SCALE DRAWING	PROJECT NO.		22820 Savi Ranch Prky. Yorba Linda, CA 92887 USA	
		APPROVALS	DATE	TITLE	
REFERENCE	MATERIAL SEE NOTES	DRAWN GSG	11/7/2023	ADAPTER, BNC FEMALE TO BNC FEMALE, BULKHEAD MOUNT	
	TREATMENT NONE	CHECKER B. HANSEN	11/7/2023		
	FINISH SEE NOTES	ENGR. B. HANSEN	11/7/2023	SIZE B	CAGE CODE 43F45
		DESIGN ACTIVITY		DWG. NO. CT4513	REV. A
				SCALE 2:1	SHEET 1 OF 1

X-ON Electronics

Largest Supplier of Electrical and Electronic Components

Click to view similar products for [RF Adapters - In Series](#) category:

Click to view products by [Cal Test](#) manufacturer:

Other Similar products are found below :

[5918-1103-000](#) [5919-9503-000](#) [651A505](#) [R114703000W](#) [R142720000W](#) [R222M40050](#) [R223703180](#) [HRM-513S](#) [KC-79-179](#) [KN-99-14](#)
[252169-75](#) [252186](#) [R142710000](#) [R142723000](#) [R161703000](#) [R161715000W](#) [R405005000](#) [KA-99-56](#) [KC-59-270](#) [KC-59-284](#) [KC-79-131](#)
[KC-99-35](#) [KC-99-40](#) [756-18-9](#) [84004734](#) [R164705000](#) [R222M40080](#) [R124720003W](#) [R142723000W](#) [R222M40060](#) [755-93-7](#) [3094317](#)
[5917-9103-000](#) [920-56](#) [R125704001](#) [R143753000W](#) [R143720000](#) [9176-9113-000](#) [R222M40107](#) [R114009000](#) [R124720003](#) [AD48](#) [ADP-](#)
[NF-NF](#) [R142562290](#) [ADAPT/SMAM/SMAM/RP](#) [CT3388](#) [CT2765](#) [2477400-1](#) [142-0901-431](#) [53BK501-K00N1](#)