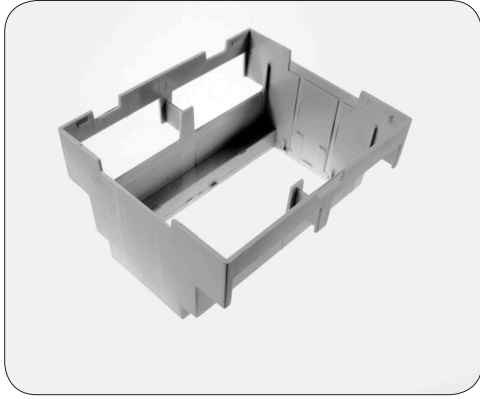
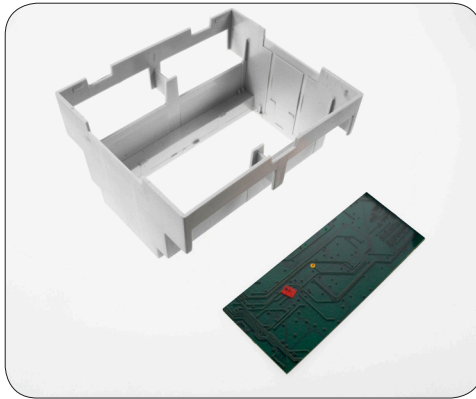


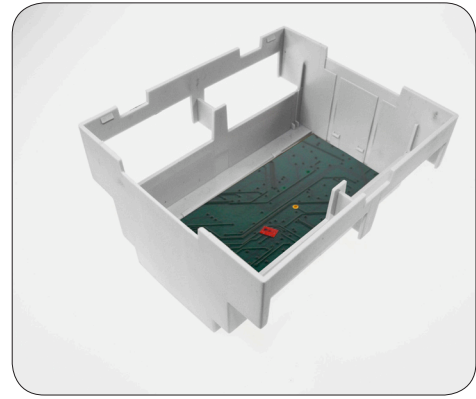
## Assembly of CNMB Enclosure



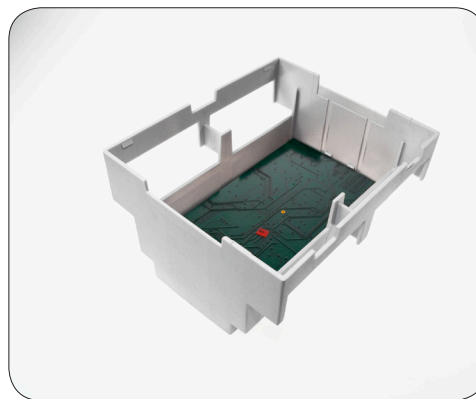
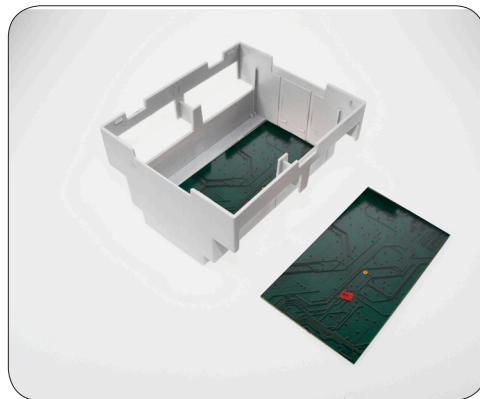
- The Module Box is designed to hold a number of PCB's which snap fit into place



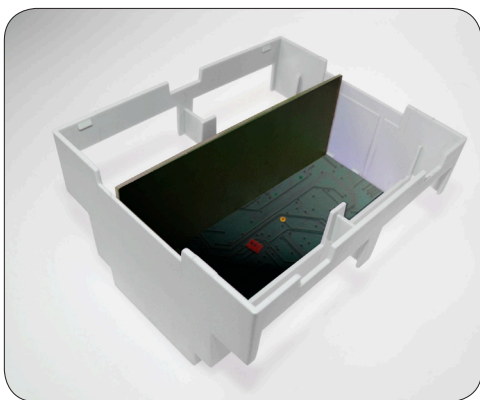
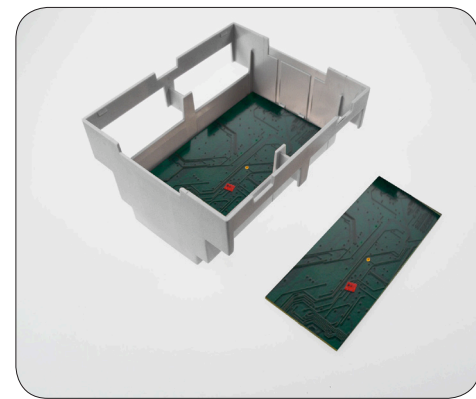
- Each Module Box can hold up to 3 PCB's horizontally and 2/4 vertically



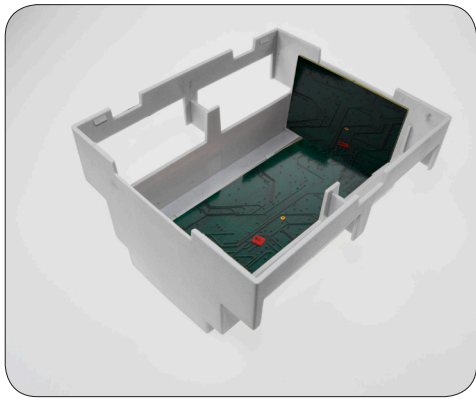
- PCB in top position



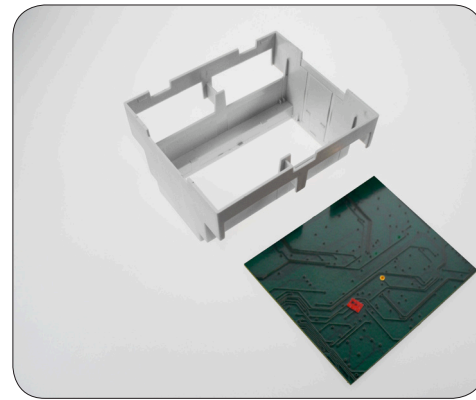
- PCB second position

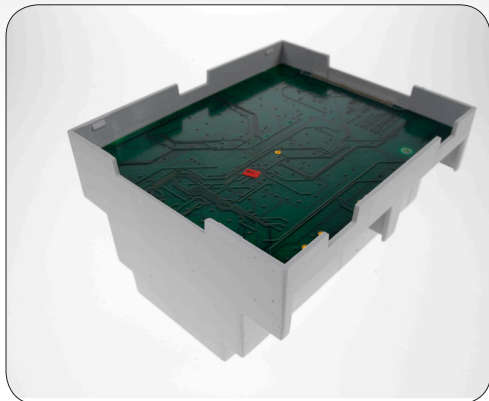


- PCB vertical mount

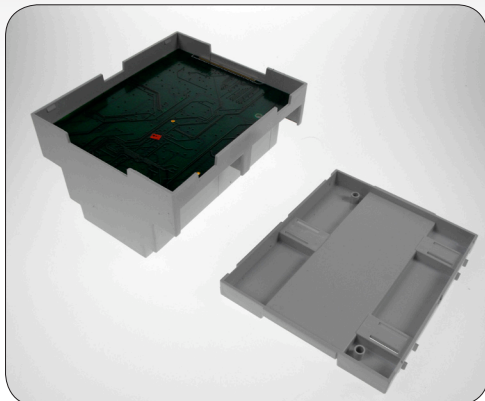


- PCB vertical mount second option

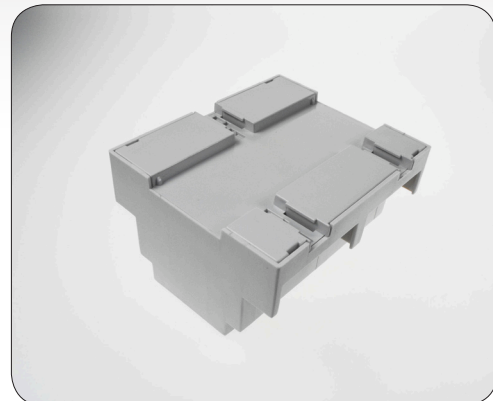




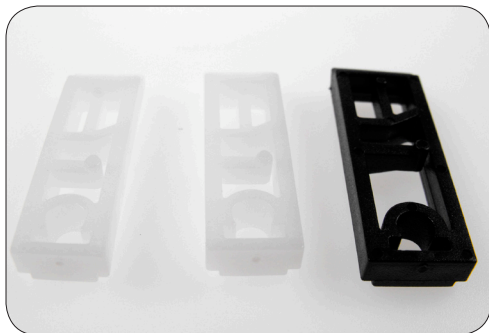
- PCB base position



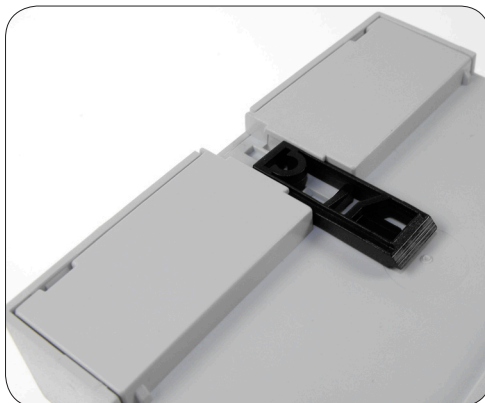
- Once the required circuitry is in place the base and top can be put on. These also snap fit into place.



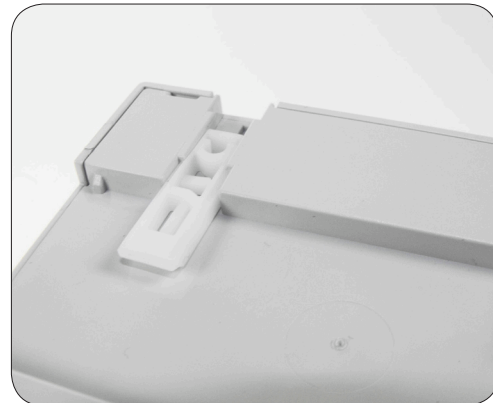
- Base is now connected



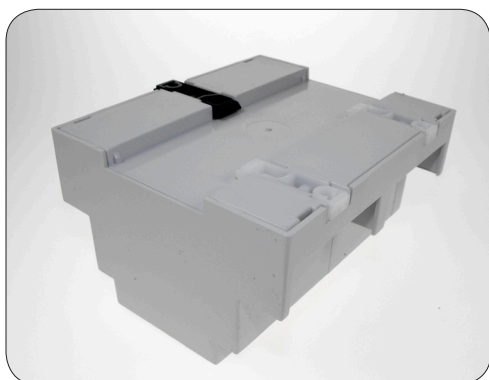
- The Module box kit comes with clips, allowing steady fastening of its base and snap fit connection to Din Rails.



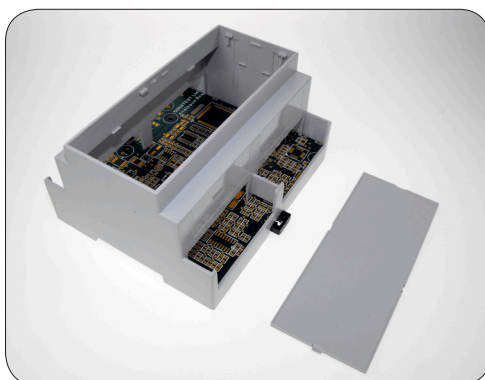
- Each clip slides and clicks into place



- Push in from the inside toward the outside



- Clips are now connected



- Module Box with top cover. (These are available in grey transparent and red)



- Top cover connected



- Various Terminal Guards are available allowing for different capabilities

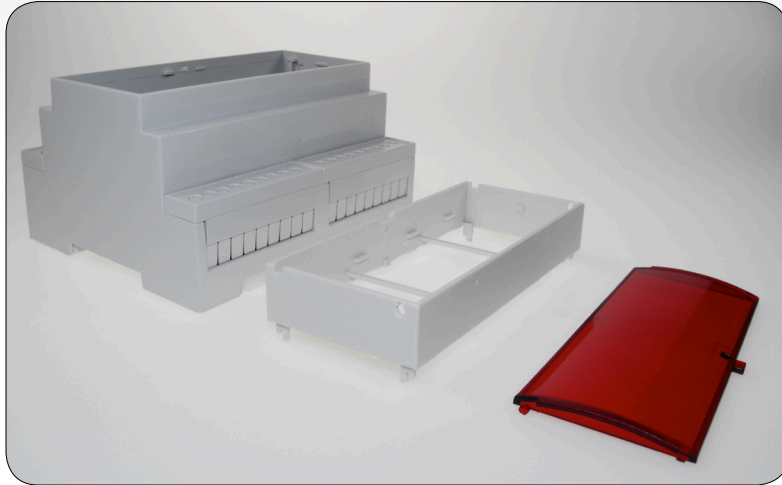


- Terminal Guards also snap fit into place and are inter-changeable

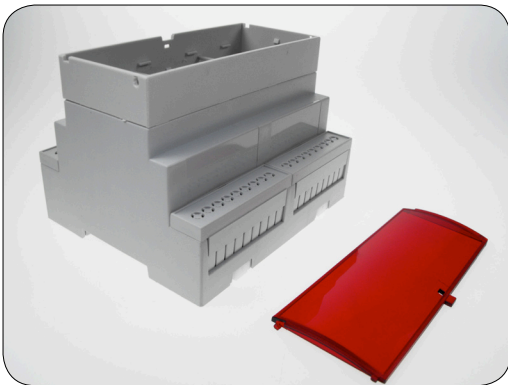


- Finished Module Box





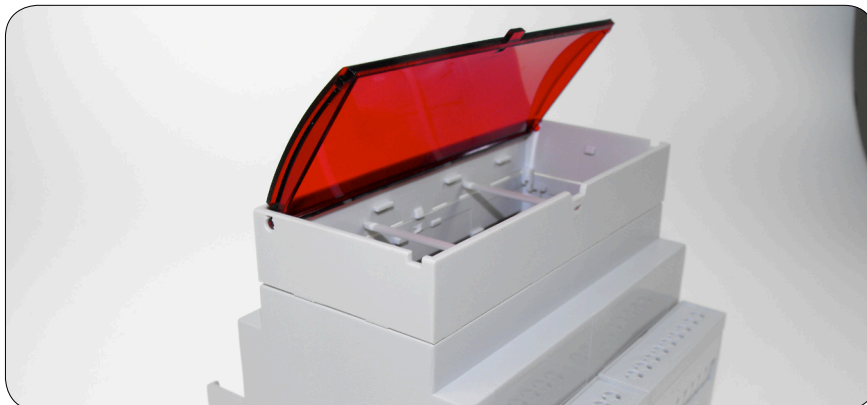
- Also available for the CNMB series are the Extended Height Module range



- The Height Module snap clicks into place and can house an additional PCB



- The curved and hinged lids also are available in grey and transparent



- The moveable lid allowing easy access to the housed PCB board

## X-ON Electronics

Largest Supplier of Electrical and Electronic Components

*Click to view similar products for* [Enclosures, Boxes, & Cases](#) *category:*

*Click to view products by* [Camden](#) *manufacturer:*

Other Similar products are found below :

[CR-425 PAINTED](#) [585-R-WH-PK](#) [M-10-PLATED](#) [60221-01](#) [60566-01-000](#) [HPL-9VB BATT DOOR](#) [M-16-LID-PLATED](#) [M18-PLTD](#) [M-21-LID-PLATED](#) [M-21-PLATED](#) [M-23-PLATED](#) [CU-281-MB](#) [6711GSKT](#) [71884-29-028](#) [LH45-100 Black](#) [7200B](#) [72868-510-000](#) [CNS-0000 Black](#) [72883-510-000](#) [CNS-0101 Black](#) [72906-510-000](#) [CNS-0407 Black](#) [73091-510-000](#) [CNM-0000-BLACK Kit](#) [73092-510-000](#) [CNM-0101 Black](#) [73108-510-000](#) [CNL-0303 Black](#) [73395-510-039](#) [CNS-0006 Bone](#) [74257-510-000](#) [CNL-0004](#) [MDC-1183-PLAIN-ALUM](#) [MDC-1183-PTD](#) [MDC-13104-PLAIN-ALUM](#) [MDC-211 - PAINTED IVORY/BEIGE](#) [MDC-321-PTD](#) [MDC-432-PLAIN-ALUM](#) [MDC-973-PTD](#) [76](#) [77153-01-028](#) [FLX6030](#) [83535-01-508](#) [PS-11296-G](#) [PS-11298-B](#) [116-508](#) [120-407](#) [120-412](#) [120-909](#) [120-455](#) [R272-100-000](#) [120-910](#) [R501-001-010](#) [R508-080-000](#) [R508-160-000](#) [R530-120-000](#) [R530-122-000](#) [R530-200-000](#) [R531-160-000](#) [R531-200-000](#) [R582-080-100](#)