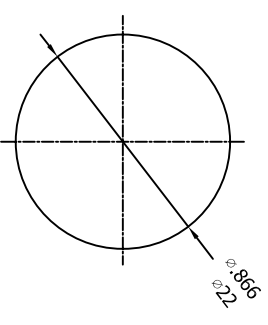
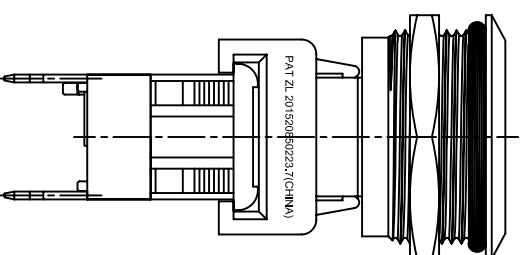
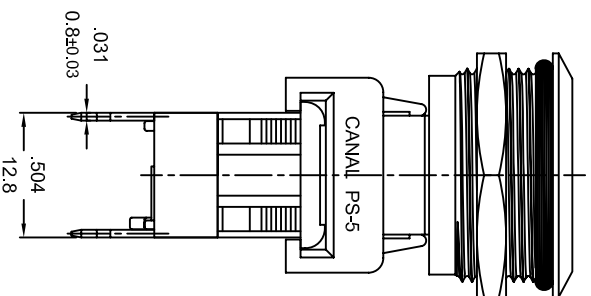
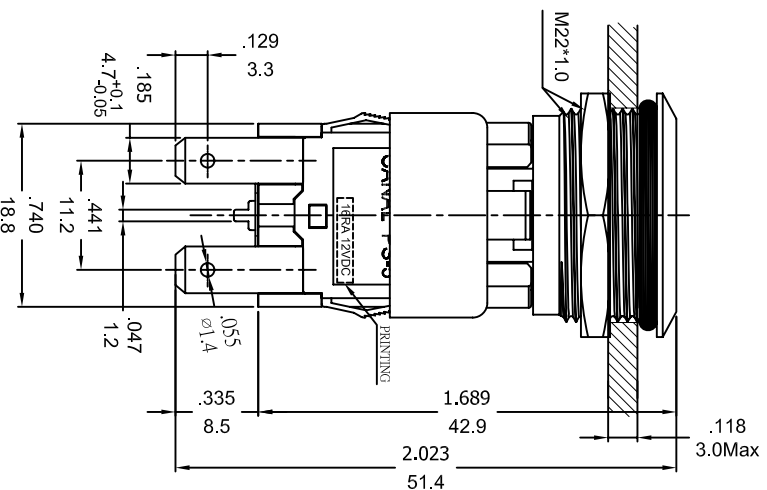


**SPECIFICATION MODEL: "PS5" SERIES**  
 RATING: 16RA 12VDC (cURus/ENEC15)  
 16(4)A 250V ~ T125/55(CQC)  
 WITHSTAND VOLTAGE: 1500VAC 1 MINUTE  
 CONTACT RESISTANCE: 20mΩ INITIAL (MAX),  
 PROTECTION TYPE: IP65 (PANEL WATERPROOF)  
 MECHANICAL COLLISION PROTECTION TYPE: IK07  
 INSULATION RESISTANCE: 500VDC - 100MΩ (MIN).  
 ILLUMINATION: RED LED 12VDC (Don't have to distinguish between the anode and cathode polarity)



PANEL MOUNTING

NOTE: TOLERANCES UNLESS OTHERWISE SPECIFIED: ± 0.12/0.3 (In/mm)

REVISION	DESCRIPTION	REVISED BY	TOLERANCES		ANGLE	SCALE	UNIT	PART NAME	PART NO	DWG NO
Δ			DRAWN BY	達志各	1°	5/4	mm	PS-5 SPEC DRAWING		S7562A
Δ			CHECKED BY	達志各						
Δ			DESIGNED BY	蔡劍						
Δ			APPROVED BY							
Δ	首次出圖	達志各				2018.09.06		PS5-210QH-BRD-0PAC		



## X-ON Electronics

Largest Supplier of Electrical and Electronic Components

*Click to view similar products for [Pushbutton Switches](#) category:*

*Click to view products by [Canal manufacturer](#):*

Other Similar products are found below :

[LW1L-M1C10V-A](#) [LW2L-A1C20M-GD](#) [LW2L-M1C20M-A](#) [60324L](#) [M7E-HRN2](#) [67021K512](#) [67081K512X](#) [701PB580](#) [719-5504-000](#)  
[MDPSSGLFS](#) [810KSV30B](#) [FLT 2U EE 01A](#) [MML21KA3ABK](#) [MML23KA3AC05K-001](#) [MML23KW3AA01W](#) [8418K2](#) [8646AB6X718UL](#)  
[8646ABUL](#) [FSDWH](#) [9001KXRK](#) [9001T8BK](#) [9533CD4+U574+U4922](#) [1203MRA](#) [A22EM01S](#) [A595](#) [1202A6](#) [12037A2ULCSA](#) [1203A2UL](#)  
[ABD122N-B](#) [1211390004](#) [ABN111-Y](#) [ABN400-R](#) [1211500044](#) [1211580012](#) [1212MRA](#) [1232A6NF](#) [RA3CSH6A](#) [1241.1183.7047](#)  
[1241.2511](#) [1241.3428](#) [1223A2ULCSA](#) [1223MRA](#) [1232AX2119](#) [1241.1183.8000](#) [1241.1183.8029](#) [1241.2506](#) [1241.2606](#) [12MA6](#)  
[1301940184](#) [RELBARF6X10\(PLASTIC\)](#)