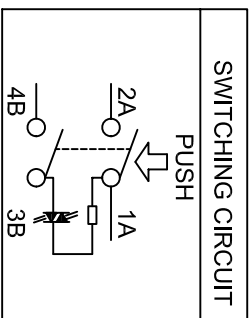
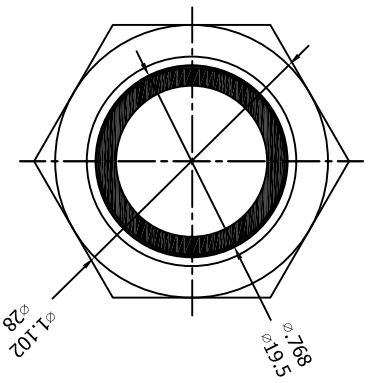
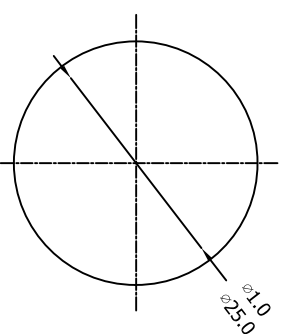
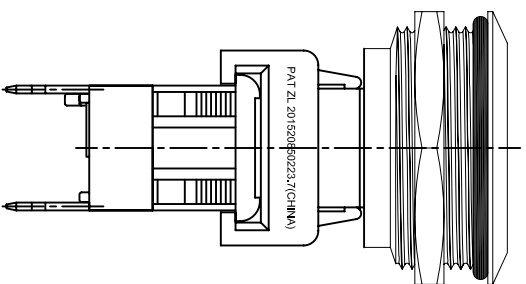
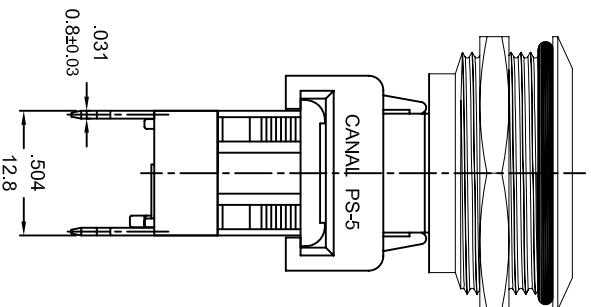
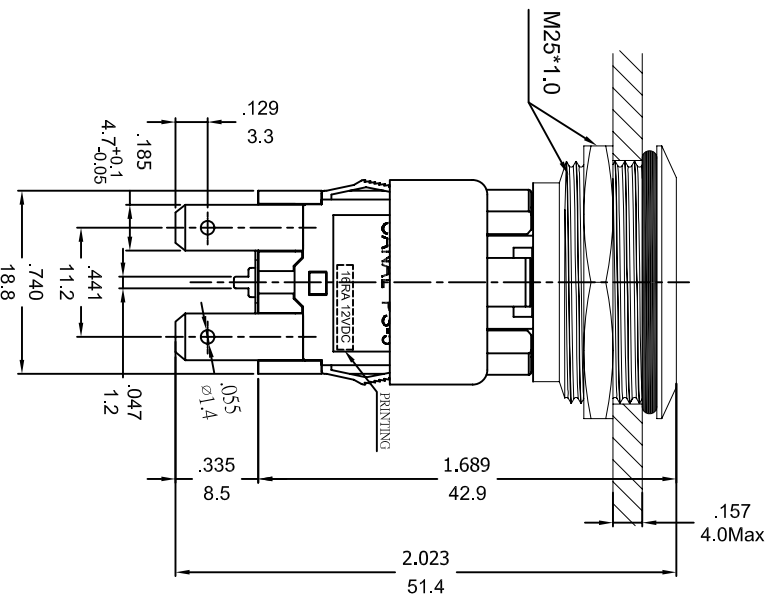


嘉尼企業股份有限公司 CANAL ELECTRONIC CO.,LTD.



SPECIFICATION MODEL : "PS5" SERIES
RATING:16RA 12VDC(cURus/ENEC15)
16(4)A 250V~ T125/55(CQC)
WITHSTAND VOLTAGE:1500VAC 1 MINUTE
CONTACT RESISTANCE:20mΩ INITIAL (MAX),
PROTECTION TYPE:IP65(PANEL WATERPROOF)
MECHANICAL COLLISION PROTECTION TYPE:IK07
INSULATION RESISTANCE:500VDC - 100MΩ (MIN).
ILLUMINATION: BLUE LED 12VDC(Don't have to distinguish between the anode and cathode polarity)



PANEL MOUNTING

NOTE:TOLERANCES UNLESS OTHERWISE SPECIFIED:±.012/0.3 (In/mm)

REVISION	DESCRIPTION	REVISED BY	TOLERANCES		ANGLE	SCALE	UNIT	PART NAME	PSS5 SPEC DRAWING	DWG NO
△			DRAWN BY	達志各	1/2°	5/4	mm			
△			CHECKED BY	[Signature]						
△			DESIGNED BY	蔡劍						
△			APPROVED BY	[Signature]						
△	首次出圖	達志各	DATE	2018.09.06				PART NO	PSS-210RH-BUD-0RAC	S7568A

X-ON Electronics

Largest Supplier of Electrical and Electronic Components

Click to view similar products for [Pushbutton Switches](#) category:

Click to view products by [Canal manufacturer](#):

Other Similar products are found below :

[LW1L-M1C10V-A](#) [LW2L-A1C20M-GD](#) [LW2L-M1C20M-A](#) [60324L](#) [M7E-HRN2](#) [67021K512](#) [67081K512X](#) [701PB580](#) [719-5504-000](#)
[MDPSSGLFS](#) [810KSV30B](#) [FLT 2U EE 01A](#) [MML21KA3ABK](#) [MML23KA3AC05K-001](#) [MML23KW3AA01W](#) [8418K2](#) [8646AB6X718UL](#)
[8646ABUL](#) [FSDWH](#) [9001KXRK](#) [9001T8BK](#) [9533CD4+U574+U4922](#) [1203MRA](#) [A22EM01S](#) [A595](#) [1202A6](#) [12037A2ULCSA](#) [1203A2UL](#)
[ABD122N-B](#) [1211390004](#) [ABN111-Y](#) [ABN400-R](#) [1211500044](#) [1211580012](#) [1212MRA](#) [1232A6NF](#) [RA3CSH6A](#) [1241.1183.7047](#)
[1241.2511](#) [1241.3428](#) [1223A2ULCSA](#) [1223MRA](#) [1232AX2119](#) [1241.1183.8000](#) [1241.1183.8029](#) [1241.2506](#) [1241.2606](#) [12MA6](#)
[1301940184](#) [RELBARF6X10\(PLASTIC\)](#)