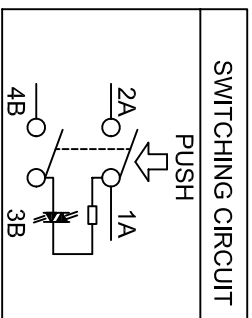
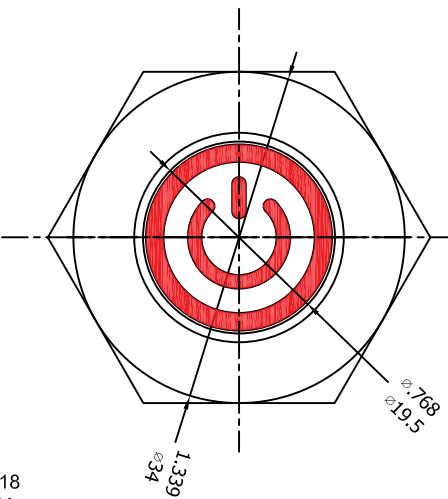
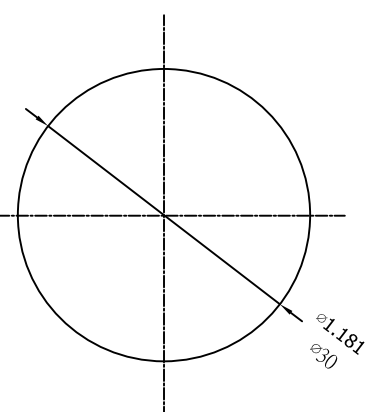
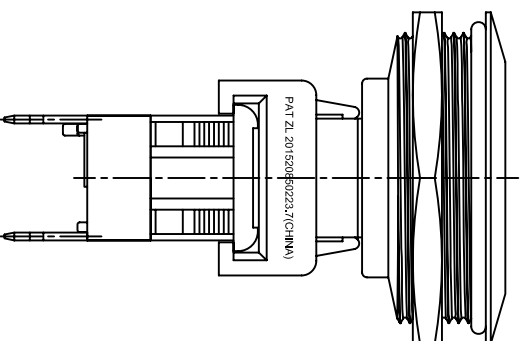
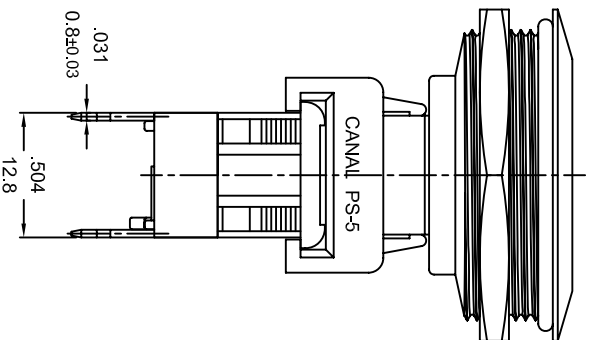
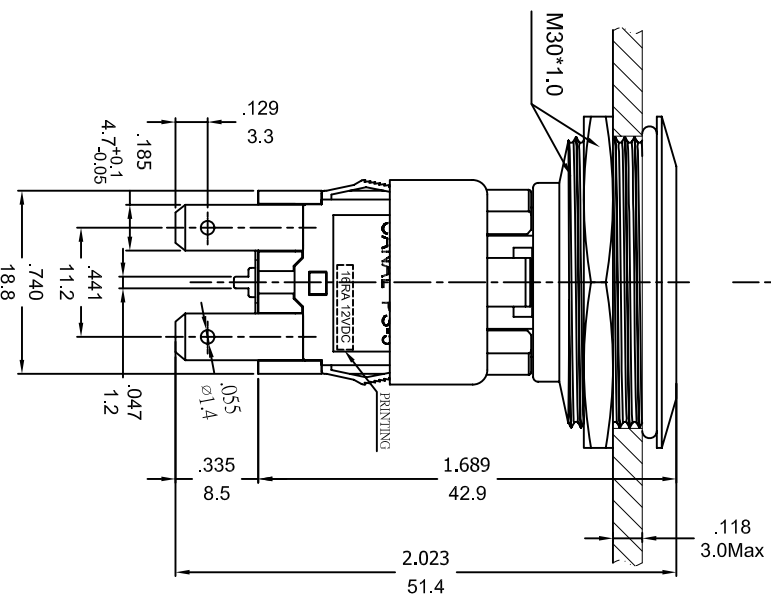


嘉尼企業股份有限公司 CANAL ELECTRONIC CO.,LTD.



SPECIFICATION MODEL : "PS5" SERIES
RATING: 16RA 12VDC(cURus/ENEC15)
 16(4)A 250V~ T125/55(CQC)
 WITHSTAND VOLTAGE: 1500VAC 1 MINUTE
 CONTACT RESISTANCE: 20mΩ INITIAL (MAX),
 PROTECTION TYPE: IP65(PANEL WATERPROOF)
 MECHANICAL COLLISION PROTECTION TYPE: IK07
 INSULATION RESISTANCE: 500VDC - 100MΩ (MIN).
 ILLUMINATION: RED LED 12VDC(Don't have to distinguish between the anode and cathode polarity)



PANEL MOUNTING

NOTE: TOLERANCES UNLESS OTHERWISE SPECIFIED: ±.012/0.3 (in/mm)

REVISION	DESCRIPTION	REVISED BY	TOLERANCES		ANGLE	SCALE	UNIT	PART NAME	PSS SPEC DRAWING	DWG NO
			DRAWN BY	達志各	1/2"	5/4	mm			
			CHECKED BY	[Signature]	DESIGNED BY			PART NO	PSS-210SH-BRD-0PAC	S7567A
					APPROVED BY					
△2018.09.06	首次出圖	達志各				DATE	2018.09.06			



X-ON Electronics

Largest Supplier of Electrical and Electronic Components

Click to view similar products for [Pushbutton Switches](#) category:

Click to view products by [Canal manufacturer](#):

Other Similar products are found below :

[LW1L-M1C10V-A](#) [LW2L-A1C20M-GD](#) [LW2L-M1C20M-A](#) [60324L](#) [M7E-HRN2](#) [67021K512](#) [67081K512X](#) [701PB580](#) [719-5504-000](#)
[MDPSSGLFS](#) [810KSV30B](#) [FLT 2U EE 01A](#) [MML21KA3ABK](#) [MML23KA3AC05K-001](#) [MML23KW3AA01W](#) [8418K2](#) [8646AB6X718UL](#)
[8646ABUL](#) [FSDWH](#) [9001KXRK](#) [9001T8BK](#) [9533CD4+U574+U4922](#) [1203MRA](#) [A22EM01S](#) [A595](#) [1202A6](#) [12037A2ULCSA](#) [1203A2UL](#)
[ABD122N-B](#) [1211390004](#) [ABN111-Y](#) [ABN400-R](#) [1211500044](#) [1211580012](#) [1212MRA](#) [1232A6NF](#) [RA3CSH6A](#) [1241.1183.7047](#)
[1241.2511](#) [1241.3428](#) [1223A2ULCSA](#) [1223MRA](#) [1232AX2119](#) [1241.1183.8000](#) [1241.1183.8029](#) [1241.2506](#) [1241.2606](#) [12MA6](#)
[1301940184](#) [RELBARF6X10\(PLASTIC\)](#)