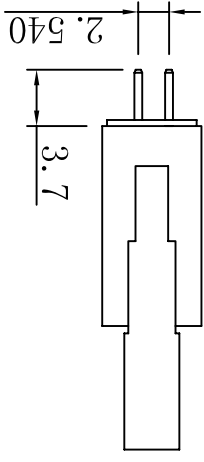
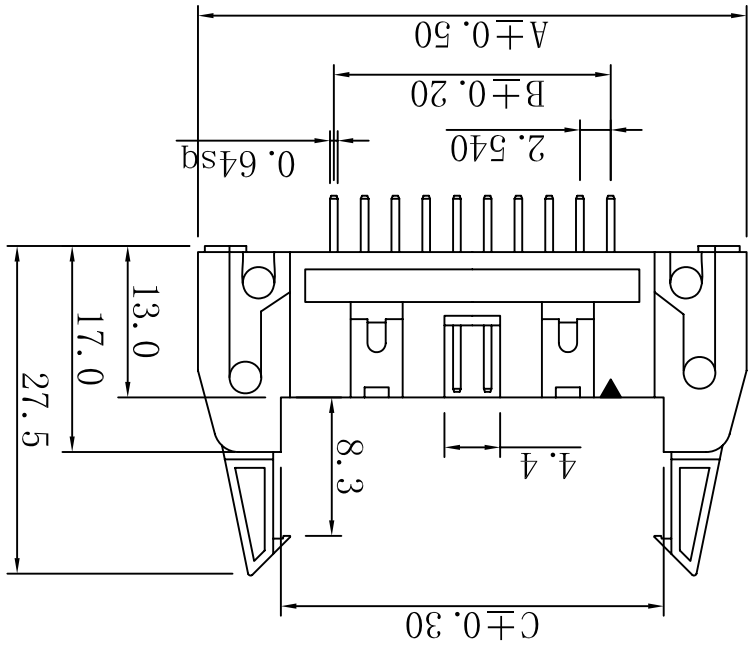
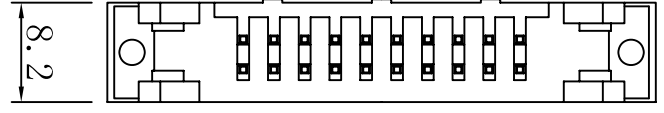


TOLERANCE TABLE	
.0	±0.30
.00	±0.20
.000	±0.05

APPROVED:	DATE:	C kmtw CHANKMENG INDUSTRY CO., LTD
CHECKED:	DATE:	TITLE: 310S-XP
DRAWN: LYP	DATE: 2008-04-07	CLIENT P/N /
	FILE NO. Ckmtw-310-00001	UNIT mm
REV. A	SCALE free	SCALE free



Poles	Part No.	Dimension mm		
		A	B	C
8	310S-8P	29.36	7.62	16.06
10	310S-10P	31.90	10.16	18.60
12	310S-12P	34.44	12.70	21.14
14	310S-14P	36.98	15.24	23.68
16	310S-16P	39.52	17.78	26.22
18	310S-18P	42.06	20.32	28.00
20	310S-20P	44.60	22.86	31.30
24	310S-24P	49.68	27.94	36.38
26	310S-26P	52.22	30.48	38.92
30	310S-30P	57.30	35.56	44.00
34	310S-34P	62.38	40.64	49.08
40	310S-40P	70.10	48.26	56.70
50	310S-50P	82.70	60.96	69.40
60	310S-60P	95.40	73.66	82.10
64	310S-64P	100.48	78.74	87.18

**SPECIFICATION:**  
 Current Rating: 3.0AMP  
 Contact Resistance: 20m Ω (max)  
 Insulation Resistance: 1000M Ω Min at 500V DC  
 Dielectric Strength: 500V AC Per 1 Minute  
 Operating Temperature: -40°C TO +105°C

**MATERIALS:**  
 Insulator: P.B.T.+30% Glass Fibre(UL 94V-0)  
 Contact: Brass  
 Contact plated: 0.8u" Gold Over Nickel

## X-ON Electronics

Largest Supplier of Electrical and Electronic Components

*Click to view similar products for [Headers & Wire Housings](#) category:*

*Click to view products by [Cankemeng](#) manufacturer:*

Other Similar products are found below :

[95000-104TRLF](#) [10135584-644402LF](#) [DF62W-EP2022PCA](#) [95000-106TRLF](#) [DF62W-2022SCA](#) [DF62W-EP2022PC](#) [2203348](#) [DF62W-2022SC](#) [1084018](#) [1029039](#) [1084017](#) [802-10-012-10-002000](#) [1112640](#) [1112639](#) [891-007-9SS-BST1T](#) [000-34000](#) [0008550134](#) [0009482033](#) [0009507031](#) [57102-F02-18ULF](#) [57102-S06-03LF](#) [57202-S52-04LF](#) [PCN6-15S-2.5E](#) [0039019024](#) [58102-G61-06LF](#) [582553-1](#) [0009485154](#) [0009508121](#) [0022285053](#) [0050291907](#) [018731A](#) [LY20-4P-DT1-P1E-BR](#) [02.125.8002.8](#) [60101931](#) [60598-1 \(Cut Strip\)](#) [M1625-3R/100](#) [61062-3](#) [61082-181009](#) [CSU011177004](#) [636-1427](#) [638009-1](#) [641938-9](#) [641991-4](#) [644168-1](#) [644827-2](#) [647662-1](#) [65039-019ELF](#) [65692-001LF](#) [65781-018](#) [65781-047](#)