

- 1.MATERIAL
 HOUSING:LCP UL 94V-0
 ACTUATOR:LCP UL 94V-0
 CONTACTS:COPPER ALLOY
 PEG: COPPER ALLOY
- 2.PLATING:
 CONTACTS:GOLD FLASH OVER NICKEL
 PEG:TIN OVER NICKEL
- 3.PART NO:
 OPERATING VOLTAGE:50V AC,DC
 CURRENT RATING:0.3A AC,DC
 OPERATING TEMPERATURE:-25C~+85C

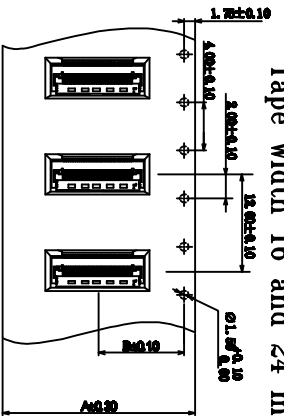
No. of Contacts	DIM.		
	A	B	C
08	3.50	8.92	4.50
10	4.50	9.92	5.50
20	9.50	14.92	10.50
24	11.50	16.92	12.50
28	13.50	18.92	14.50
30	14.50	19.92	15.50
40	19.50	24.92	20.50
50	24.50	29.92	25.50
60	29.50	34.92	30.50
66	32.50	37.92	33.50

TOLERANCE TABLE		
.0	±0.30	
.00	±0.20	
.000	±0.05	

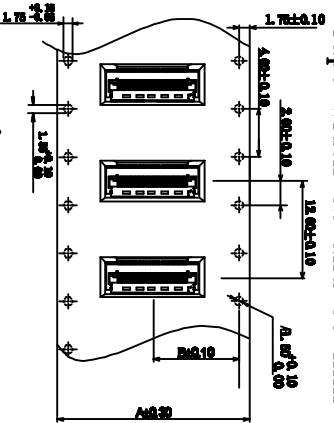
APPROVED:	DATE:
CHECKED:	DATE:
DRAWN:	DATE:
hh-H	2019-01-02

常州中材料工业有限公司 CHANGZHOU INDUSTRIAL, LTD	
TITLE: FPC0.5-40P 下接 翻盖式 H=2.5 黑色 镀金	
PART. NO.	C3025537
UNIT	mm
SCALE	free
FILE NO.	F-FPCOM40P-C312
REV.	A
	FY00

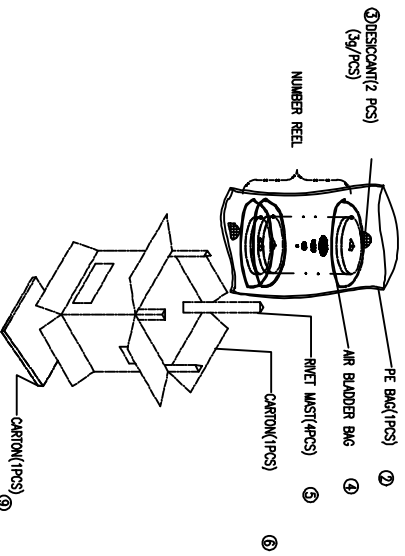
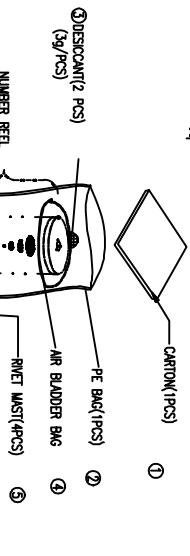
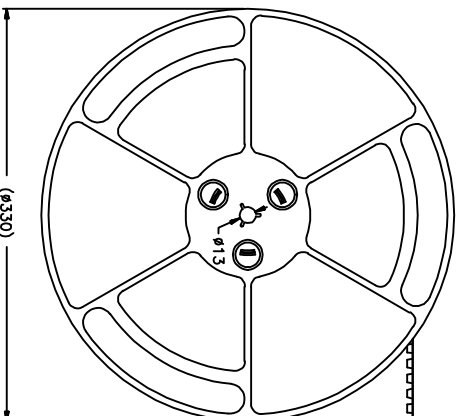
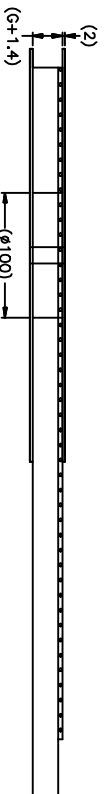
Tape width 16 and 24 mm



Tape width 32 and 56 mm

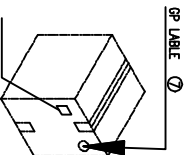


REEL Dim



Notes:

1. Component load per 13" reel: 1500 Pcs
2. Material : Black Conductive Polystyrene Alloy.
3. Thickness : 0.3±0.05mm
4. All dimensions meet EIA-481-C requirements.



MEAS.: 35*35*35 CM

TOLERANCE TABLE

.0	±0.30
.00	±0.20
.000	±0.05

No. of Contacts	A	B	C	REEL (CARTRIDGE)	SUM (PCS)
JAMES 4pin 7pin	16	7.5	—	16	22500
JAMES 16pin 7pin	24	11.5	—	10	15000
JAMES 26pin 7pin	32	14.2	28.4	8	12000
JAMES 36pin 7pin	44	20.2	40.4	6	9000
JAMES 56pin 7pin	56	26.25	52.5	5	7500

常州中材料工业有限公司
CHANGZHOU INDUSTRIAL, LTD

TITLE:
 FPC0.5-40P 下接 翻造式 H=2.5 黑色 镀金

PAET. NO. C3025537
 UNIT mm SCALE free
 FILE NO. F-FPC0M40P-C312 REV. A FY00

X-ON Electronics

Largest Supplier of Electrical and Electronic Components

Click to view similar products for [FFC & FPC Connectors](#) category:

Click to view products by [Cankemeng](#) manufacturer:

Other Similar products are found below :

[00-6200-227-022-800](#) [006205250500825+](#) [006205280500825+](#) [FPH-1602G](#) [086222026001800](#) [52610-0675](#) [62674-201121DLF](#) [52746-1671-TR250](#) [10051922-1610EHLF](#) [10051922-2810EHLF](#) [686322124422](#) [XF3M-2915-1B-R100](#) [AYF353125A](#) [AYF530665TA](#) [AYF534065TA](#) [20FLH-RSM1-TB](#) [PCA-7F-25-HL-3-G](#) [207356-1](#) [52807-0430](#) [FFC05011-10SBB114W5M](#) [502250-8027](#) [FH28K-40S-0.5SH](#) [200528-0260](#) [FH28K-10S-0.5SH](#) [501951-1250](#) [X05B20U43T](#) [0.5K-DX-30PWB](#) [DS1020-08-10VBT12](#) [THD0515-34CL-GF](#) [X05A10L28G](#) [ECC2841061EU](#) [20539-030E-01](#) [1.0K-DHQX-16PWB](#) [1.0K-DHQX-30PWB](#) [1775333-6](#) [10054365-202110ELF](#) [10054365-242110ELF](#) [10054365-282110ELF](#) [10064555-392220HLF](#) [59453-041110EBHLF](#) [59453-091110EDHLF](#) [62674-241141ALF](#) [62684-432100ALF](#) [62684-451100AHLF](#) [62684-5721N0ALF](#) [HFW11R-1STE1MTLF](#) [HFW12R-1STE9LF](#) [HFW14R-1STE9MTLF](#) [HFW18S-2STE9LF](#) [HFW20R-1STAE1HLF](#)