

LED SPECIFIC CAVITY			
STANDA	ID LED	WAVEL. LENGTH	Forward (Vmax)
GREEN		500nm	2.4V
YELLOW		580nm	2.0V
			2.1V

4# TH A FO IN AND CURRENT OF 20mA

- NOTES:
- CONNECTOR MATERIAL: HDU/SINE-THERMO/PLASTIC UL94 V-0
CONTACT/SERIED: COPPER ALLOY
SERIED PLATING: NICKEL OR TIN
CONTACT PLATING: SELECTIVE GOLD,
50 MICRO-INCHES MIN
30 MICRO-INCHES MIN
15 MICRO-INCHES MIN
6 MICRO-INCHES MIN
3 MICRO-INCHES MIN
IN CONTACT AREA

- PIN NOT ELECTRICALLY CO NNECTED HAVE OMITTED SEE ELECTRICAL DRAWING FOR OMITTED PINS.
- RJ45 CAVITIES CONFORM TO FCC RULES AND REGULATION PART 68.
- THE PART IS RECOMMENDED FOR WAVE SOLDERING PROCESS PEAK SOLDERING TEMPERATURE IS 280° C MAX, 10 SECS MAX
- OPERATING TEMPERATURE T=0° C TO +70° C.
- STORAGE TEMPERATURE T=-40° C TO +85° C.
- ALL TOLERANCES NOT OTHERWISE SPECIFIED TO BE ±0.25mm.

TOLERANCE TABLE

.0	±0.20
.00	±0.10
.000	±0.05

APPROVED:

DATE:

CHECKED:

DATE:

DRAWN:

DATE:

YAN

2011-04-30

TITLE:

RJ45-10P/8C 下带灯 带滤波器 (TS-10014-1)

CLIENT P/N

C29402225

UNIT

mm

SCALE

Free

FILE NO.

Chantw-RJ45-0030

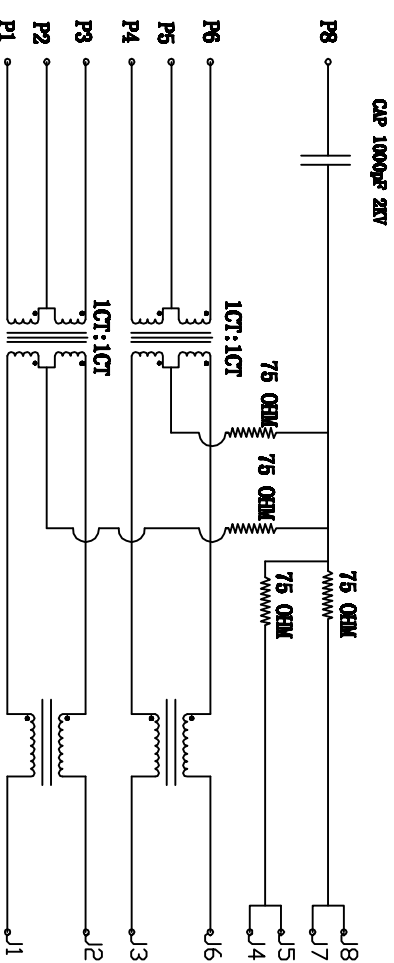
REV.

YH00

深圳市灿科盟实业有限公司
Chantw CHANKEMENG INDUSTRYCO, LTD

P. C. B RECOMMENDED HOLE LAYOUT SEEN FROM COMPONENT SIDE.

ALL CENTERLINE DIMENSIONS ARE BASIC



ALL THE RAW MATERIALS MEET ROHS STANDARD

ELECTRICAL SPECIFICATIO NS @ 25° C: (Comply Woi th IEEE802. 3)

- 1. 0 TURN RATIO: (P1~P3) : (J1~J2) :1:±3%
(P4~P6) : (J3~J6) :1:1±3%
- 2. 0 INDUCTANCE: (P1~P3) AND (P4~P6) 350nH MIN @0. 1V, 100KHZ, Sma DC BIAS
:1:1±3%
- 3. 0 LEAKAGE INDUCTANCE:P1~P3 (WITH J1 AND J2 SHORT) :0. 35uH MAX @1MHZ
P4~P6 (WITH J3 AND J6 SHORT) :0. 35uH MAX @1MHZ
- 4. 0 INTERWINDING CAPACTANCE: (P1~P3) : (J1~J2) :35pF MAX @ 1MHZ
(P4~P6) : (J3~J6) :35pF MAX @ 1MHZ
- 5. 0 DC RESISTANCE: (J1~J2) : (J3~J6) : 1. 2 @US MAX

- 6. 0 RETURN LOSS:1MHZ TO 30MHZ :--18dB MIN
30MHZ TO 60MHZ :--(18-20)log(f/30)) dB MIN (WHERE f IS IN MHZ)
60MHZ TO 80MHZ :--12dB MIN

- 7. 0 DIELECTRIC WITHSTAND: (P1~P3) : (J1~J2) :1500VAC OR 2250VDC
(P4~P6) : (J3~J6) :1500VAC OR 2250VDC
- 8. 0 INSERTION LOSS: 100KHZ TO 100MHZ :--1. 2dB MAX
- 9. 0 CROSS TALK: 1MHZ TO 100MHZ :--35dB TYP
- 10. 0 COMMON TO COMMON MODE ATTENUATION: 30MHZ TO 100MHZ :--30dB TYP

TOLERANCE TABLE

.0	±0.20
.00	±0.10
.000	±0.05

APPROVED:	DATE:	TITLE: RJ45-10P/8C 下带灯 带滤波器 (TS-10014-1)			
CHECKED:	DATE:	CLIENT P/N	C2940225		
DRAWN:	DATE:	UNIT	mm	SCALE	Free
YAN	2011-04-30	FILE NO.	Chantw-RJ45-0030	REV.	YH00

深圳市灿科盟实业有限公司
Chantw CHANKEMENG INDUSTRYCO., LTD

X-ON Electronics

Largest Supplier of Electrical and Electronic Components

Click to view similar products for [Modular Connectors / Ethernet Connectors](#) category:

Click to view products by [Cankemeng](#) manufacturer:

Other Similar products are found below :

[8949-H88/06BLKA/SN](#) [74441-0010/BKN](#) [PHP-6P6C-5](#) [GAX-3-66](#) [GDCX-PN-66](#) [GLX-A-44](#) [GLX-N-1010M-BLK](#) [GLX-S-88M-BLK](#)
[GMX-SMT4-N-88](#) [GSGX-N-2-88](#) [GSGX-N-4-88](#) [GSX-NS2-88-3.05](#) [GSX-NS-88-3.68](#) [PT-108A-8C-UL](#) [PTS-J531-8CS-50UL](#) [A-2014-0-4](#)
[GWLX-S9-88-YG](#) [DC-1021-8-WH-6](#) [1300530003](#) [1324640-4](#) [132764-001](#) [1413235](#) [MPS88RX-5000](#) [E5288-S000K3-L](#) [155302-001](#)
[AX101050](#) [AX101063](#) [AX101065](#) [AX101072](#) [AX101307](#) [AX101315](#) [AX101318](#) [AX102271](#) [AX102277](#) [AX102651](#) [AX102660](#) [AX104024](#)
[203475](#) [PC4D0018P](#) [KIT38082NI](#) [8949-B88/6](#) [2-6609208-5](#) [30-8956](#) [30-8964-100](#) [SM85](#) [SM99S01VBNN04G7](#) [17-103540](#) [191587](#) [PDI-68-RV](#) [PHP-8P8C-S-5](#)