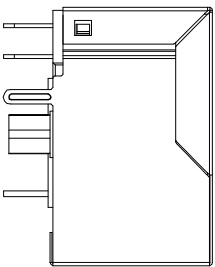
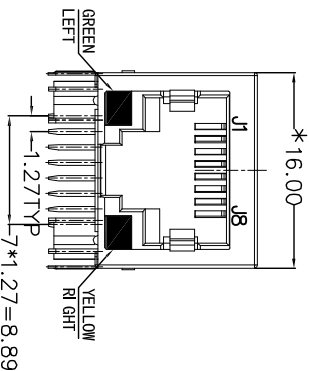


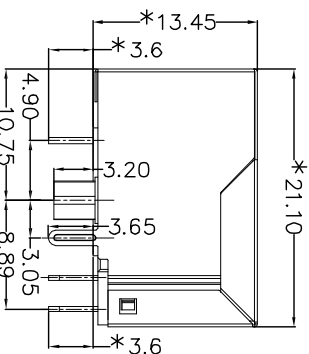
TOP VIEW



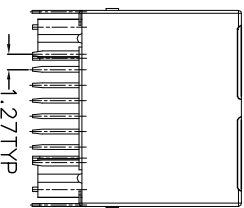
LEFT SIDE VIEW



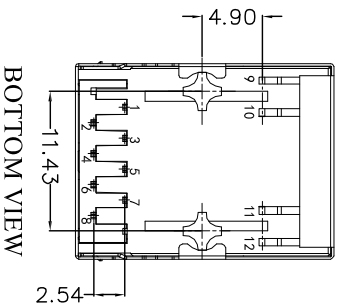
FRONT VIEW



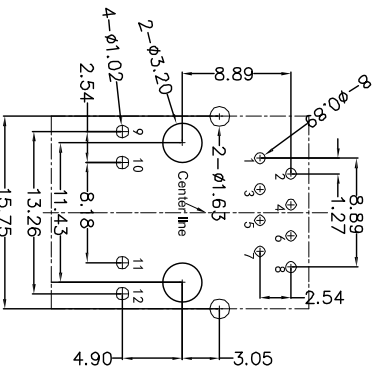
RIGHT SIDE VIEW



BACK VIEW



BOTTOM VIEW



RECOMMENDED PCB LAYOUT
VIEWED FROM COMPONENT SIDE

MATERIAL:

HOUSING: PBT, UL94V-0, BLACK.
 TERMINALS BRACKET: PBT, UL94V-0, BLACK.
 SHIELD: C2680, T=0.20MM, NICKEL PLATING ON ALL ARE.
 TERMINAL: PHOSPHOR BRONZE C5210, T=0.35MM,
 6U" GOLD PLATING ON CONTACT AREA.

MECHANICAL:

DURABILITY: 750 CYCLES MIN.
 MATING FORCE: 23N MAX.
 OPERATING TEMPERATURE: -40°C~+85°C.
 STORAGE TEMPERATURE: -40°C~+85°C.
 ALL CRITICAL DIMENSIONS WITH "*"

TOLERANCE TABLE

.0	±0.30
.00	±0.20
.000	±0.05

APPROVED:

DATE:

CHECKED:

DATE:

DRAWN:

DATE:

L. YUN

2020-07-12

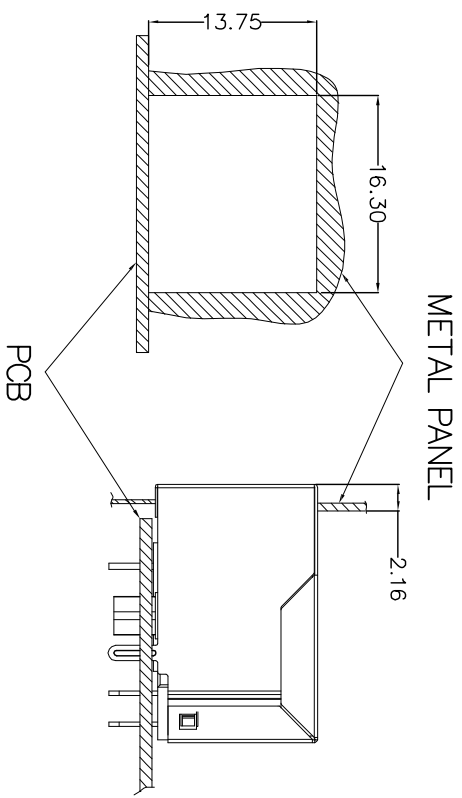
深圳市灿科盟实业有限公司
 CHANKLEMENT INDUSTRYCO., LTD

TITLE: 百兆网口 RJ45-10P/8C TAB-Down
 H=21.1 带灯 无弹 带滤波器 十字脚

PART. NO. R-RJ45R08P-D004

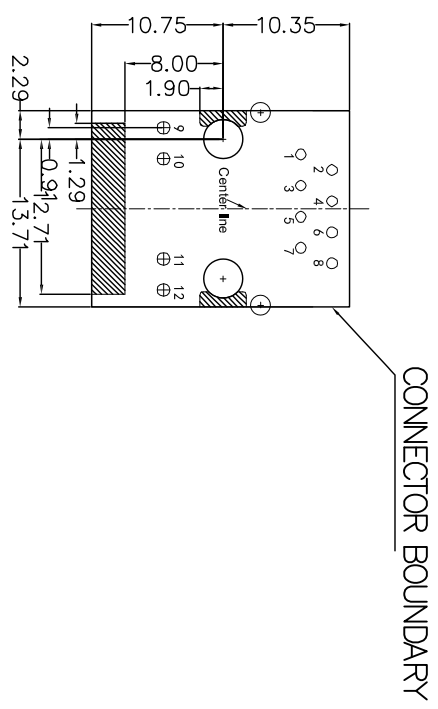
UNIT	mm	SCALE	Free	REV.	A
FILE NO.	Ckmtw-RJ45-0225	REV.	A	KYD01	1/4

RECOMMENDED PANEL CUTOUT(REFERENCE ONLY):



UNIT: MM / INCH
 TOLERANCES: ± 0.10 / 0.004
 REFERENCE ONLY

KEEP-OUT AREA(COMPONENT SIDE VIEW):

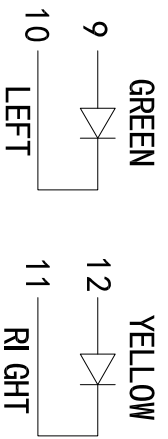
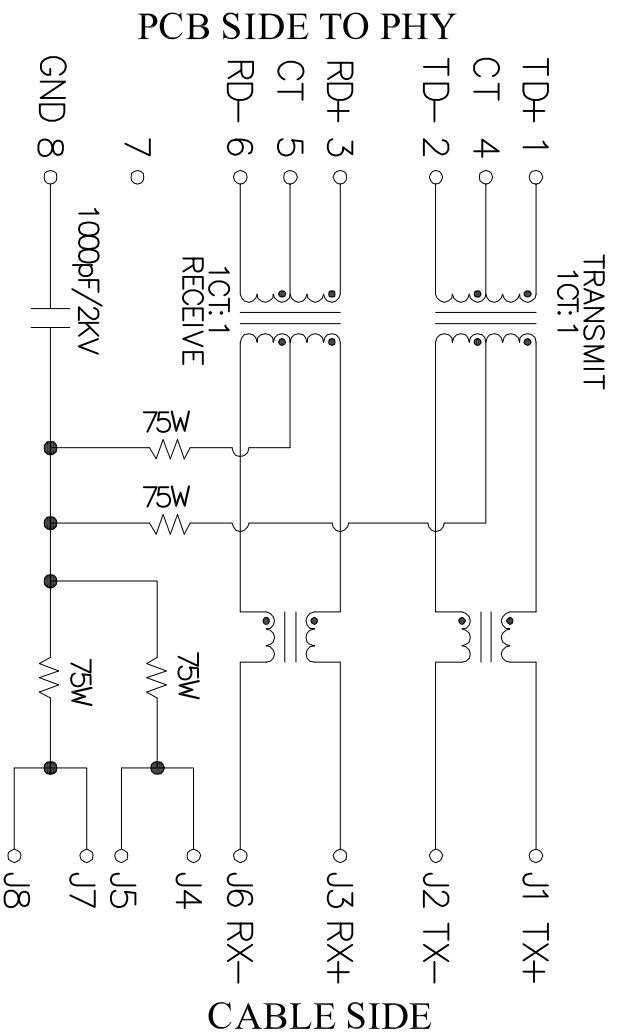


PLUG-INSIDE

UNIT: MM / INCH
 TOLERANCES: ± 0.10 / 0.004

TOLERANCE TABLE	
.0	± 0.30
.00	± 0.20
.000	± 0.05

APPROVED:	DATE:	深圳市灿科盟实业有限公司 CHANKLEMENT INDUSTRY CO., LTD
CHECKED:	DATE:	
DRAWN:	DATE:	TITLE:
L. YUN	2020-07-12	百兆网口 RJ45-10P/8C TAB-Down H=21.1 带灯 无弹 带滤波器 十字脚
		PART. NO. R-RJ45R08P-D004
		UNIT mm SCALE Free
		FILE NO. Ckmtw-RJ45-0225 REV. A KYD02/4



Electrical:

1. Turn ratio: 1~2: J1~J2=1 CT: 1 CT ($\pm 2\%$),
3~6: J3~J6=1 CT: 1 CT ($\pm 2\%$).
2. OCL: 350uH Min. at 100KHz 100mV 8mA DC.
3. Insertion Loss: -1.0 dB Max 1~100MHz.
4. Return loss: -20dB Min 1~10MHz;
-16dB Min 10~30MHz;
-12dB Min 30~60MHz;
-10dB Min 60~80MHz.
5. Cross talk: -40dB Min 1~30MHz;
-35dB Min 30~60MHz;
-30dB Min 60~100MHz;
6. CMR: -30dB Min 1~100MHz;
7. Hi-Pot: 1500V AC & 2250V DC
6S 1 mA PRI TO SEC

LED Specification

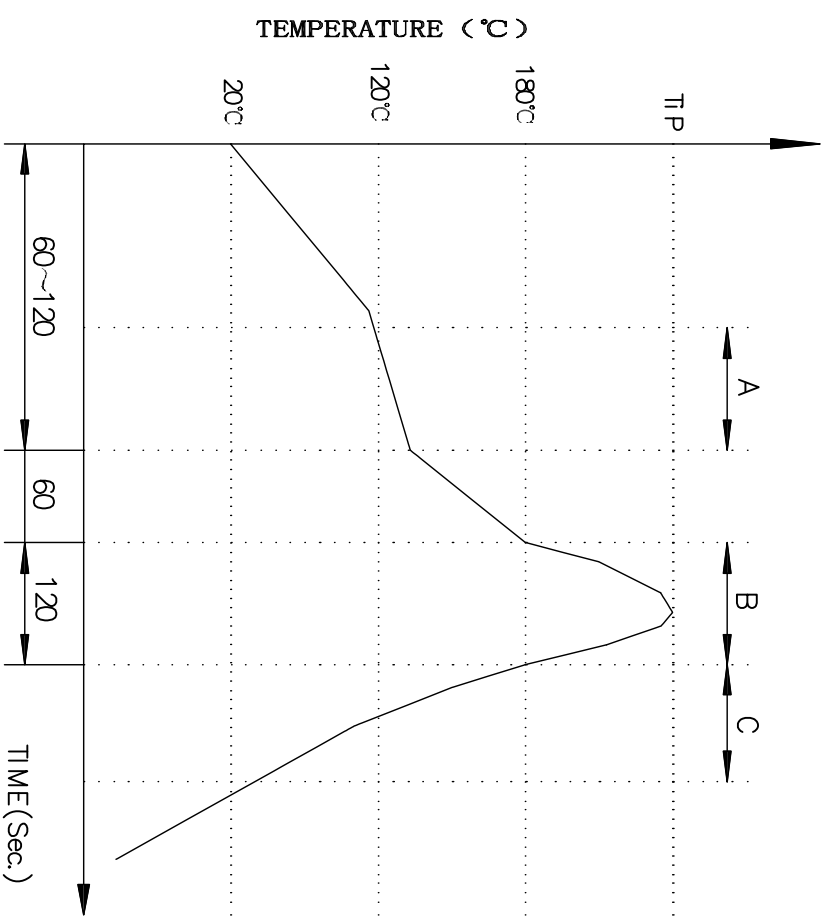
Standard LED Color	LED Wavelength	Forward(A)	Forward(V)
Green	568nm	20mA	1.85-2.45V
Yellow	585nm	20mA	1.7-2.2V

TOLERANCE TABLE

.0	± 0.30
.00	± 0.20
.000	± 0.05

APPROVED:	DATE:	<p>深圳市灿科盟实业有限公司 CHANKLEMENT INDUSTRY CO., LTD</p>								
CHECKED:	DATE:									
DRAWN:	DATE:	<p>TITLE: 百兆网口 RJ45-10P/8C TAB-Down H=21.1 带灯 无弹 带滤波器 十字脚</p>								
L. YUN	2020-07-12	<p>PART. NO. R-RJ45R08P-D004</p>								
		<table border="1"> <tr> <td>UNIT</td> <td>mm</td> <td>SCALE</td> <td>Free</td> </tr> <tr> <td>FILE NO.</td> <td>Ckmtw-RJ45-0225</td> <td>REV.</td> <td>A</td> </tr> </table>	UNIT	mm	SCALE	Free	FILE NO.	Ckmtw-RJ45-0225	REV.	A
UNIT	mm	SCALE	Free							
FILE NO.	Ckmtw-RJ45-0225	REV.	A							

PROFILE OF WAVE SOLDER



A. Preheating B. Soldering C. Gradual Cooling
 Tip temperature: $260 \pm 5^{\circ}\text{C}$.
 Tip temperature time: 5Sec Max.
 Tip melting point of Sn96.5/Ag3/Cu0.5: 217°C .

Remarks: after wave soldering, the plastic position columns of the product which under the PCB will be slightly melted, but it won't affect its function.

APPROVED:	DATE:	TITLE: 深圳市灿科盟实业有限公司 Ckmtw CHANKLEMENT INDUSTRYCO., LTD	
CHECKED:	DATE:	PART. NO. 百兆网口 RJ45-10P/8C TAB-Down H=21.1 带灯 无弹 带滤波器 十字脚	
DRAWN:	DATE:	UNIT	SCALE
L. YUN	2020-07-12	mm	Free
TOLERANCE TABLE		FILE NO.	REV.
.0	± 0.30	Ckmtw-RJ45-0225	A
.00	± 0.20		KYD04/4
.000	± 0.05		

X-ON Electronics

Largest Supplier of Electrical and Electronic Components

Click to view similar products for [Modular Connectors / Ethernet Connectors](#) category:

Click to view products by [Cankemeng](#) manufacturer:

Other Similar products are found below :

[8949-H88/06BLKA/SN](#) [74441-0010/BKN](#) [PHP-6P6C-5](#) [GAX-3-66](#) [GDCX-PN-66](#) [GLX-A-44](#) [GLX-N-1010M-BLK](#) [GLX-S-88M-BLK](#)
[GMX-SMT4-N-88](#) [GSGX-N-2-88](#) [GSGX-N-4-88](#) [GSX-NS2-88-3.05](#) [GSX-NS-88-3.68](#) [PT-108A-8C-UL](#) [PTS-J531-8CS-50UL](#) [A-2014-0-4](#)
[GWLX-S9-88-YG](#) [DC-1021-8-WH-6](#) [1300530003](#) [1324640-4](#) [132764-001](#) [1413235](#) [MPS88RX-5000](#) [E5288-S000K3-L](#) [155302-001](#)
[AX101050](#) [AX101063](#) [AX101065](#) [AX101072](#) [AX101307](#) [AX101315](#) [AX101318](#) [AX102271](#) [AX102277](#) [AX102651](#) [AX102660](#) [AX104024](#)
[203475](#) [PC4D0018P](#) [KIT38082NI](#) [8949-B88/6](#) [2-6609208-5](#) [30-8956](#) [30-8964-100](#) [SM85](#) [SM99S01VBNN04G7](#) [17-103540](#) [191587](#) [PDI-68-RV](#) [PHP-8P8C-S-5](#)