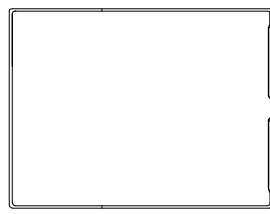
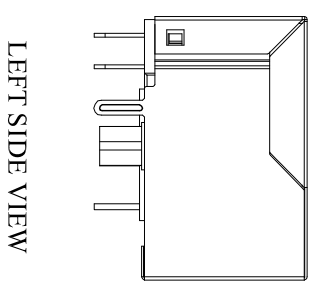


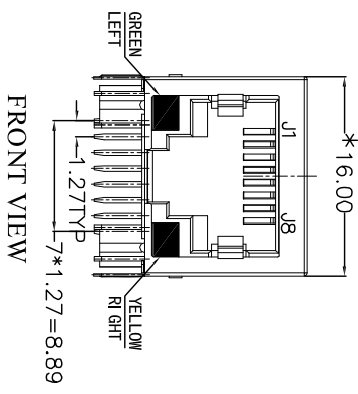
| | |
|------|--|
| 客户确认 | |
| 日期 | |



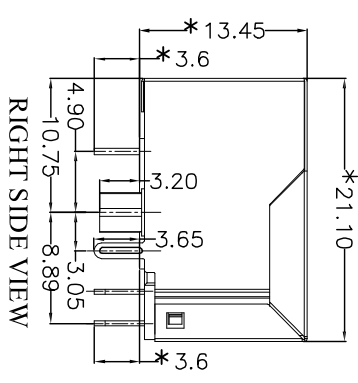
TOP VIEW



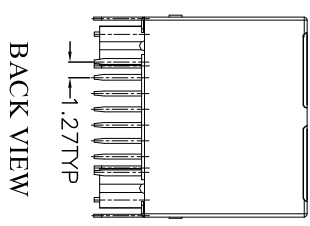
LEFT SIDE VIEW



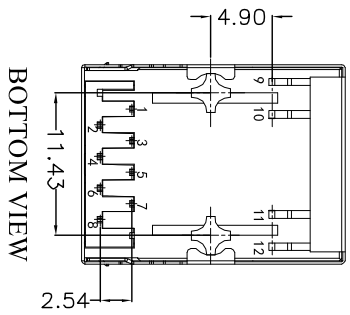
FRONT VIEW



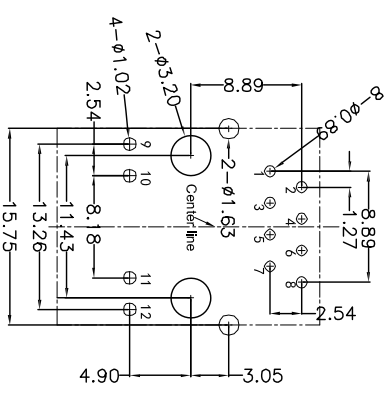
RIGHT SIDE VIEW



BACK VIEW



BOTTOM VIEW



RECOMMENDED PCB LAYOUT
VIEWED FROM COMPONENT SIDE

MATERIAL:

HOUSING: PBT, UL94V-0, BLACK.
 TERMINALS BRACKET: PBT, UL94V-0, BLACK.
 SHIELD: C2680, T=0.20MM, NICKEL PLATING ON ALL AREA.
 TERMINAL: PHOSPHOR BRONZE C5210, T=0.35MM,
 6U" GOLD PLATING ON CONTACT AREA.

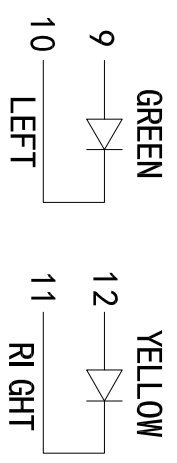
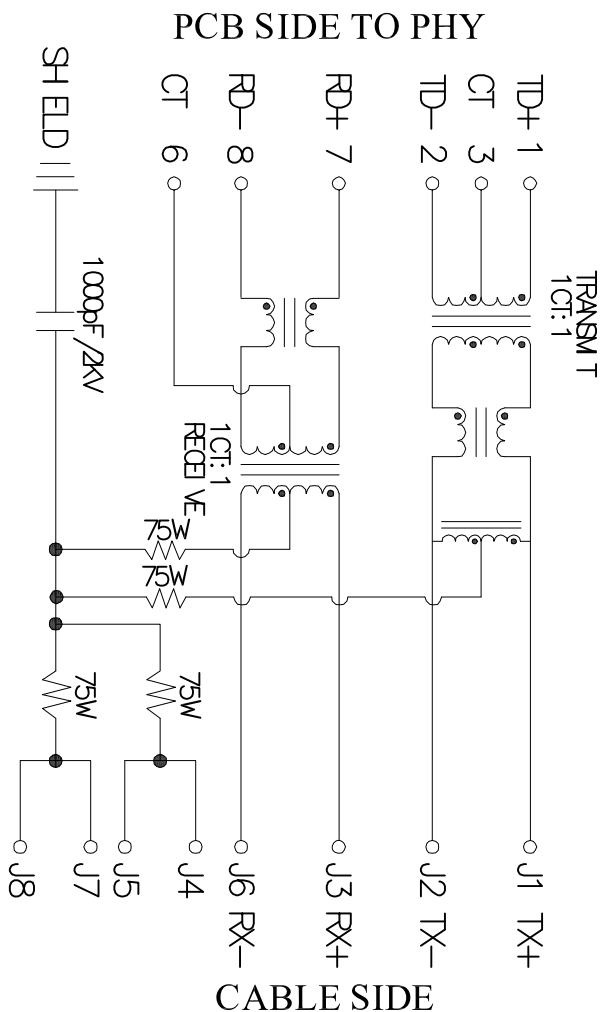
MECHANICAL:

DURABILITY: 750 CYCLES MIN.
 MATING FORCE: 23N MAX.
 OPERATING TEMPERATURE: 0°C~+70°C.
 STORAGE TEMPERATURE: -40°C~+85°C.
 ALL CRITICAL DIMENSIONS WITH "±"

| TOLERANCE TABLE | |
|-----------------|-------|
| .0 | ±0.30 |
| .00 | ±0.20 |
| .000 | ±0.05 |

| | | |
|-----------|-------------|---|
| APPROVED: | DATE: | 深圳市灿科盟实业有限公司 CHANKEMENG INDUSTRIAL CO., LTD |
| CHECKED: | DATE: | |
| DRAWN: | DATE: | TITLE: 百兆网口 RJ45-10P/8C TAB-Down H=21.1 带灯 无弹 带滤波器 十字脚 |
| L. YUN | 2020-05-21 | CLIENT P/N: R-RJ45R08P-D005 |
| UNIT: mm | SCALE: free | FILE NO: Ckmtw-RJ45-0261 |
| | REV: A | REV: A |
| | | KYD0 |

| | |
|------|--|
| 客户确认 | |
| 日期 | |



Electrical:

- Turn ratio: 1~2: J1~J2=1 CT:1 CT(±2%),
7~8: J3~J6=1 CT:1 CT(±2%).
- OCL: 350µH Min. at 100KHz 100mV 8mA DC.
- Insertion Loss: -1.0 dB Max 1~100MHz.
- Return loss: -20dB Min 1~10MHz;
-16dB Min 10~30MHz;
-12dB Min 30~60MHz;
-10dB Min 60~80MHz.
- Cross talk: -40dB Min 1~30MHz;
-35dB Min 30~60MHz;
-30dB Min 60~100MHz;
- CMR: -30dB Min 1~100MHz;
- Hi-Pot: 1500V AC & 2250V DC
6S 1 mA PRI TO SEC

LED Specification

| Standard LED Color | LED Wavelength | Forward(A) | Forward(V) |
|--------------------|----------------|------------|------------|
| Green | 568nm | 20mA | 1.85-2.45V |
| Yellow | 585nm | 20mA | 1.7-2.2V |

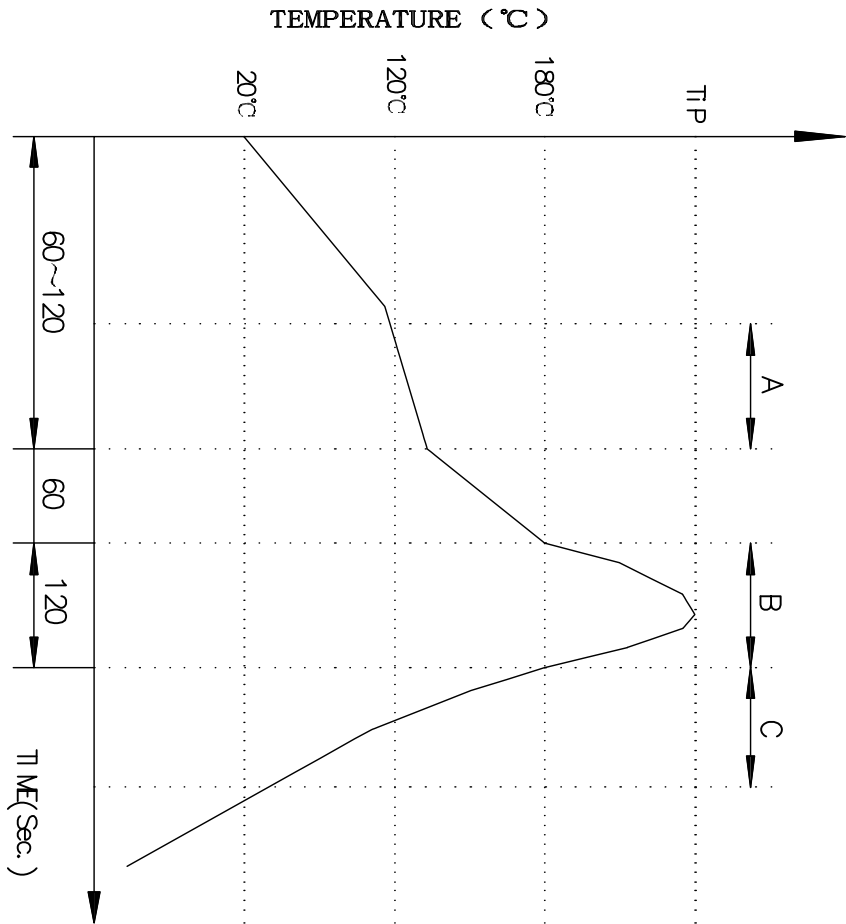
TOLERANCE TABLE

| | |
|------|-------|
| .0 | ±0.30 |
| .00 | ±0.20 |
| .000 | ±0.05 |

| | | | |
|-----------|------------|---|-----------------|
| APPROVED: | DATE: | 深圳市灿科盟实业有限公司 C km tw CHANKEMENG INDUSTRY CO., LTD | |
| CHECKED: | DATE: | TITLE: 百兆网口 RJ45-10P/8C TAB-Down H=21.1 带灯 无弹 带滤波器 十字脚 | |
| DRAWN: | DATE: | CLIENT P/N | R-RJ45R08P-D005 |
| L. YUN | 2020-05-21 | UNIT | mm |
| | | SCALE | free |
| | | FILE NO. | Ckmtw-RJ45-0261 |
| | | REV. | A |
| | | | KYD0 |

| | |
|------|--|
| 客户确认 | |
| 日期 | |

PROFILE OF WAVE SOLDER



A. Preheating B. Soldering C. Gradual Cooling
 Tip temperature: $260 \pm 5^\circ\text{C}$.
 Tip temperature time: 5Sec Max.
 Tip melting point of Sn96.5/Ag3/Cu0.5: 217°C .

Remarks: after wave soldering, the plastic position columns of the product which under the PCB will be slightly melted, but it won't affect its function.

| | | | |
|-----------------|------------|---|-----------------|
| APPROVED: | DATE: | C 深圳市灿科盟实业有限公司 kmtw CHANKEMENG INDUSTRYCO., LTD | |
| CHECKED: | DATE: | TITLE: 百兆网口 RJ45-10P/8C TAB-Down H=21.1 带灯 无弹 带滤波器 十字脚 | |
| DRAWN: | DATE: | CLIENT P/N | R-RJ45R08P-D005 |
| L. YUN | 2020-05-21 | UNIT | mm |
| | | SCALE | free |
| | | FILE NO. | Ckmtw-RJ45-0261 |
| | | REV. | A KYD0 |
| TOLERANCE TABLE | | | |
| .0 | ± 0.30 | | |
| .00 | ± 0.20 | | |
| .000 | ± 0.05 | | |

X-ON Electronics

Largest Supplier of Electrical and Electronic Components

Click to view similar products for [Modular Connectors / Ethernet Connectors](#) category:

Click to view products by [Cankemeng](#) manufacturer:

Other Similar products are found below :

[8949-H88/06BLKA/SN](#) [74441-0010/BKN](#) [PHP-6P6C-5](#) [GAX-3-66](#) [GDCX-PN-66](#) [GLX-A-44](#) [GLX-N-1010M-BLK](#) [GLX-S-88M-BLK](#)
[GMX-SMT4-N-88](#) [GSGX-N-2-88](#) [GSGX-N-4-88](#) [GSX-NS2-88-3.05](#) [GSX-NS-88-3.68](#) [PT-108A-8C-UL](#) [PTS-J531-8CS-50UL](#) [A-2014-0-4](#)
[GWLX-S9-88-YG](#) [DC-1021-8-WH-6](#) [1300530003](#) [1324640-4](#) [132764-001](#) [1413235](#) [MPS88RX-5000](#) [E5288-S000K3-L](#) [155302-001](#)
[AX101050](#) [AX101063](#) [AX101065](#) [AX101072](#) [AX101307](#) [AX101315](#) [AX101318](#) [AX102271](#) [AX102277](#) [AX102651](#) [AX102660](#) [AX104024](#)
[203475](#) [PC4D0018P](#) [KIT38082NI](#) [8949-B88/6](#) [2-6609208-5](#) [30-8956](#) [30-8964-100](#) [SM85](#) [SM99S01VBNN04G7](#) [17-103540](#) [191587](#) [PDI-68-RV](#) [PHP-8P8C-S-5](#)