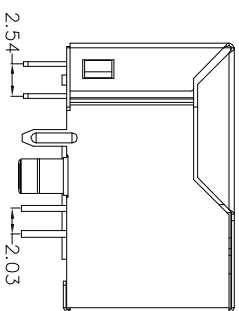
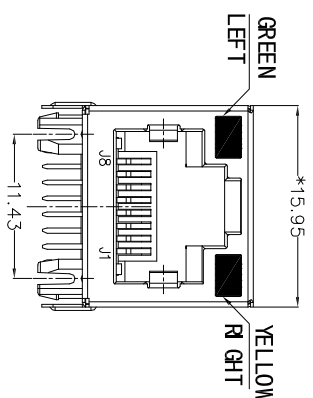


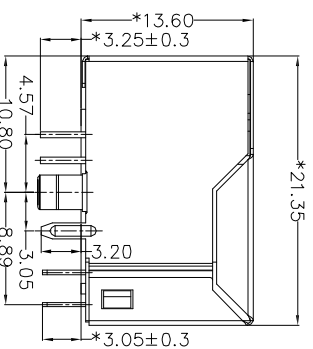
TOP VIEW



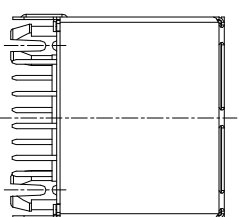
LEFT SIDE VIEW



FRONT VIEW



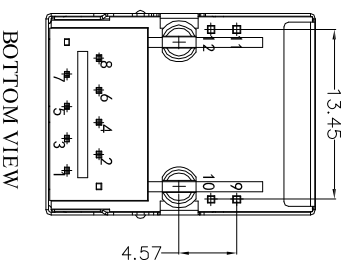
RIGHT SIDE VIEW



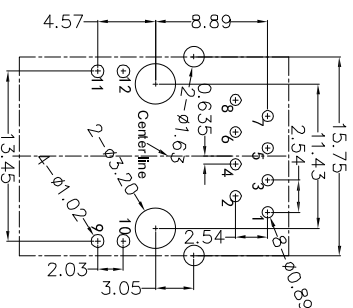
BACK VIEW

MATERIAL:
 HOUSING: PBT,UL94V-0,BLACK.
 TERMINAL S BRACKET: PBT,UL94V-0,BLACK.
 SHIELD: C2680,T=0.20MM,NICKEL PLATING ON ALL AREA.
 TERMINAL: PHOSPHOR BRONZE C521 0,T=0.35MM,
 6U" GOLD PLATING ON CONTACT AREA.

MECHANICAL:
 DURABILITY : 750 CYCLES MIN
 MATING FORCE : 23N MAX
 OPERATING TEMPERATURE: -40°C~+85°C.
 STORAGE TEMPERATURE: -40°C~+85°C.
 ALL CRITICAL DIMENSIONS WITH "**"



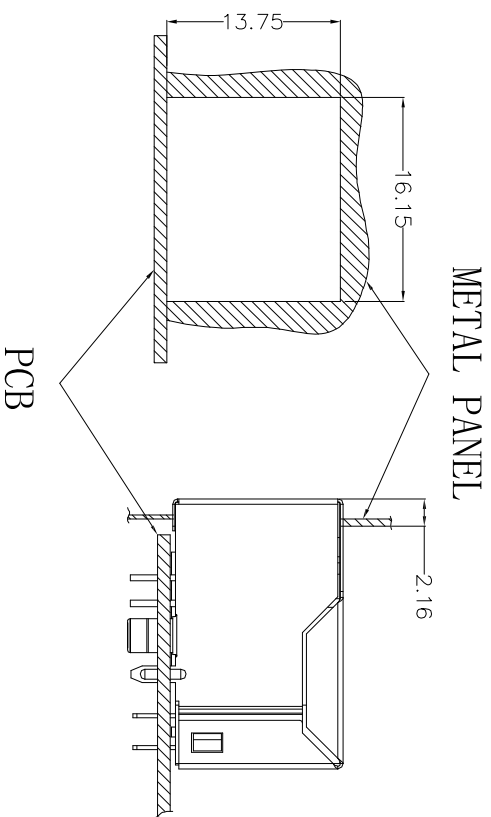
BOTTOM VIEW



RECOMMENDED PCB LAYOUT
 VIEWED FROM COMPONENT SIDE

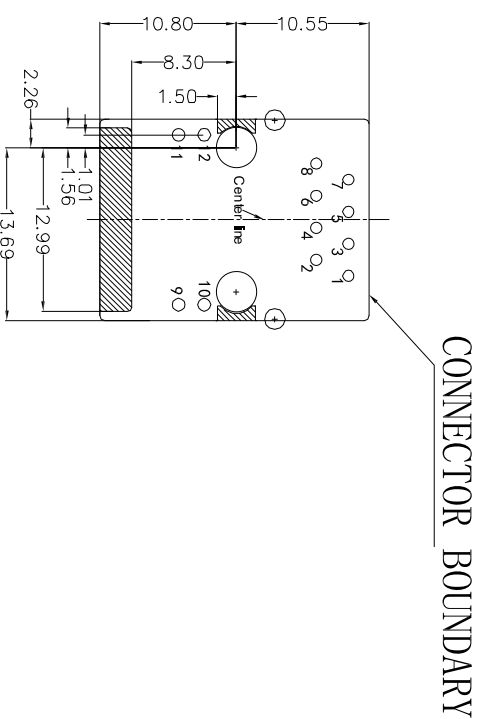
APPROVED:	DATE:	深圳市灿科盟实业有限公司 CHANKLEMENT INDUSTRYCO., LTD			
CHECKED:	DATE:	TITLE: 百兆网口			
DRAWN:	DATE:	RJ45-10P/8C TAN-UP H=21.35 带灯 无弹 带滤波器 十字脚			
L. YAN	2020-08-17	PART. NO.	R-RJ45R08P-D006	UNIT	mm
		SCALE	Free	REV.	A0 KYD0
		FILE NO.	Ckmtw-RJ45-0263		

RECOMMENDED PANEL CUTOUT (REFERENCE ONLY) :



UNIT : MM / INCH
 TOLERANCES : ± 0.10 / 0.004
 REFERENCE ONLY

KEEP-OUT AREA (COMPONENT SIDE VIEW) :

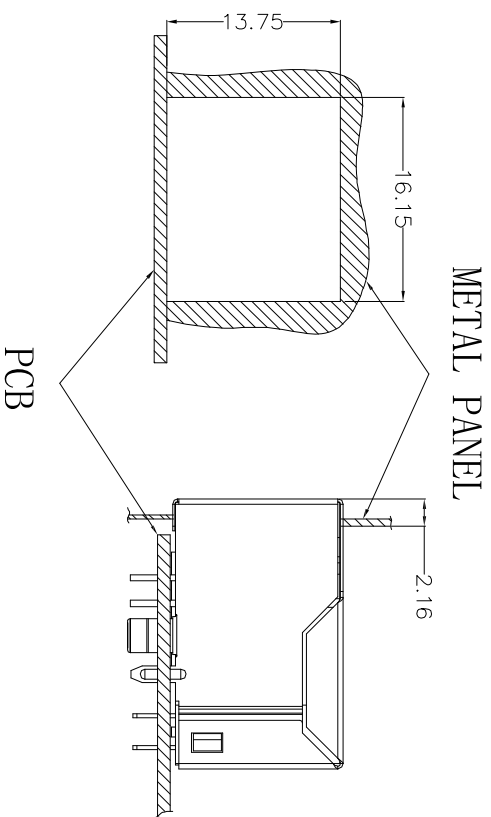


PLUG-IN SIDE

UNIT : MM / INCH
 TOLERANCES : ± 0.10 / 0.004

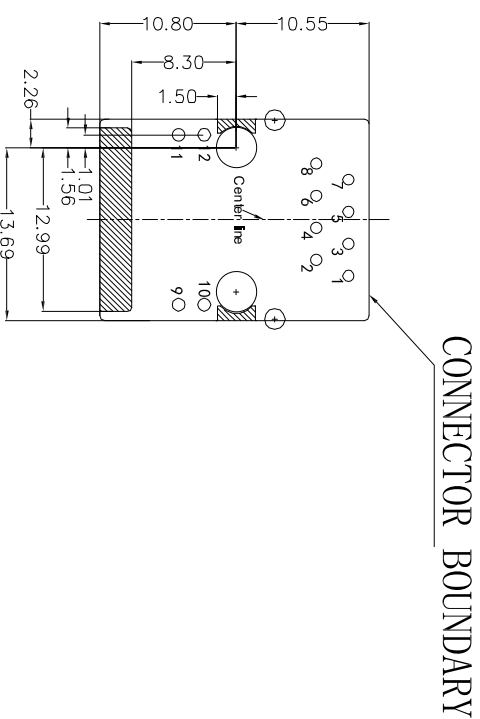
APPROVED:	DATE:	深圳市灿科盟实业有限公司 Ckmtw CHANKLEMENT INDUSTRYCO., LTD			
CHECKED:	DATE:	TITLE: 百兆网口			
DRAWN:	DATE:	RJ45-10P/8C TAN-UP H=21.35 带灯 无弹 带滤波器 十字脚			
L. YAN	2020-08-17	PART. NO.	R-RJ45R08P-D006	UNIT	mm
		SCALE	Free	REV.	A0 KYD0
		FILE NO.	Ckmtw-RJ45-0263		

RECOMMENDED PANEL CUTOUT (REFERENCE ONLY) :



UNIT : MM / INCH
 TOLERANCES : ± 0.10 / 0.004
 REFERENCE ONLY

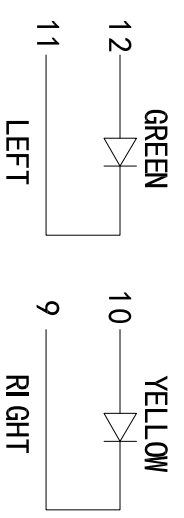
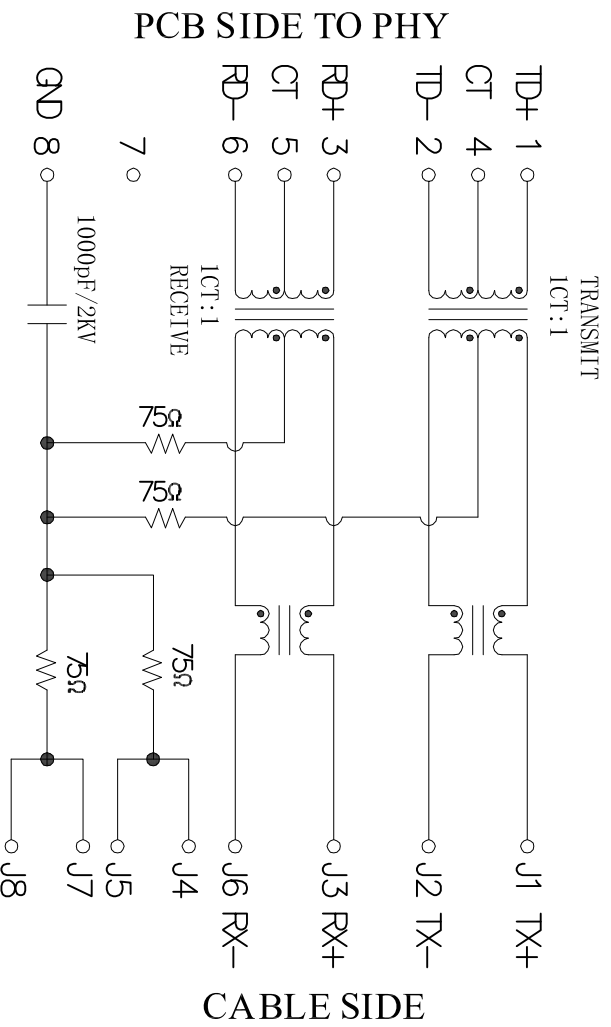
KEEP-OUT AREA (COMPONENT SIDE VIEW) :



PLUG-IN SIDE

UNIT : MM / INCH
 TOLERANCES : ± 0.10 / 0.004

APPROVED:	DATE:	深圳市灿科盟实业有限公司 Ckmtw CHANKLEMENT INDUSTRYCO., LTD			
CHECKED:	DATE:	TITLE: 百兆网口			
DRAWN:	DATE:	RJ45-10P/8C TAN-UP H=21.35 带灯 无弹 带滤波器 十字脚			
L. YAN	2020-08-17	PART. NO.	R-RJ45R08P-D006	UNIT	mm
		SCALE	Free	REV.	A0 KYD0
		FILE NO.	Ckmtw-RJ45-0263		



Electrical:

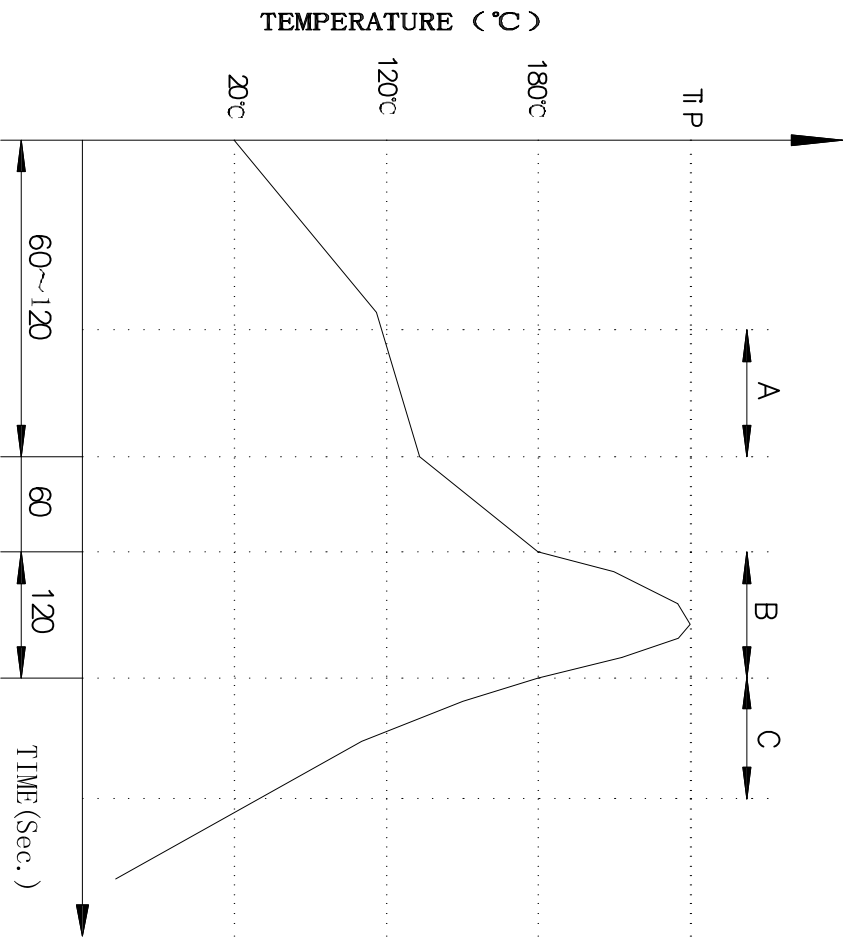
1. Turn ratio: 1~2: J1 ~ J2=1 CT: 1 CT (±2%), 3~6: J3~J6=1 CT: 1 CT (±2%).
2. OCL: 350uH Min at 100KHz 100mV 8mA D
3. Insertion Loss: -1.0 dB Max 1~100MHz.
4. Return loss: -20dB Min 1~10MHz, -16dB Min 10~30MHz, -12dB Min 30~60MHz, -10dB Min 60~80MHz.
5. Cross talk: -40dB Min 1~30MHz, -35dB Min 30~60MHz, -30dB Min 60~100MHz;
6. CMR: -30dB Min 1~100MHz;
7. Hi-Pot: 1500V AC & 2250V DC 6S 1mA PRI TO SEC

LED Specification

Standard LED Color	LED Wavelength	Foward(A)	Foward(V)
Green	568nm	20mA	1.85-2.45V
Yellow	585nm	20mA	1.7-2.2V

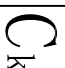
APPROVED:	DATE:	深圳市灿科盟实业有限公司 CHANKLEMENT INDUSTRYCO., LTD			
CHECKED:	DATE:	TITLE: 百米网口			
DRAWN:	DATE:	RJ45-10P/8C TAN-UP H=21.35 带灯 无弹 带滤波器 十字脚			
L. YAN	2020-08-17	PART. NO.	R-RJ45R08P-D006	UNIT	mm
		SCALE	Free	REV.	A0
		FILE NO.	Ckmtw-RJ45-0263	REV.	KYD0

PROFILE OF WAVE SOLDER



A. Preheating B. Soldering C. Gradual Cooling
 Tip temperature: $260 \pm 5^{\circ}\text{C}$.
 Tip temperature time: 5 Sec Max.
 Tip melting point of Sn96.5/Ag3/Cu0.5: 217°C .

Remarks: after wave soldering, the plastic position columns of the product which under the PCB will be slightly melted, but it won't affect its function.

APPROVED:	DATE:	 深圳市灿科盟实业有限公司 CHANKLEMENT INDUSTRYCO., LTD			
CHECKED:	DATE:	TITLE: 百兆网口			
DRAWN:	DATE:	R/J45-10P/8C TAB-UP H=21.35 带灯 无弹 带滤波器 十字脚			
L. YAN	2020-08-17	PART. NO.	R-RJ45R08P-D006	UNIT	mm
		SCALE	Free	REV.	A0
		FILE NO.	Ckmtw-RJ45-0263		KYD0

X-ON Electronics

Largest Supplier of Electrical and Electronic Components

Click to view similar products for [Modular Connectors / Ethernet Connectors](#) category:

Click to view products by [Cankemeng](#) manufacturer:

Other Similar products are found below :

[8949-H88/06BLKA/SN](#) [74441-0010/BKN](#) [PHP-6P6C-5](#) [GAX-3-66](#) [GDCX-PN-66](#) [GLX-A-44](#) [GLX-N-1010M-BLK](#) [GLX-S-88M-BLK](#)
[GMX-SMT4-N-88](#) [GSGX-N-2-88](#) [GSGX-N-4-88](#) [GSX-NS2-88-3.05](#) [GSX-NS-88-3.68](#) [PT-108A-8C-UL](#) [PTS-J531-8CS-50UL](#) [A-2014-0-4](#)
[GWLX-S9-88-YG](#) [DC-1021-8-WH-6](#) [1300530003](#) [1324640-4](#) [132764-001](#) [1413235](#) [MPS88RX-5000](#) [E5288-S000K3-L](#) [155302-001](#)
[AX101050](#) [AX101063](#) [AX101065](#) [AX101072](#) [AX101307](#) [AX101315](#) [AX101318](#) [AX102271](#) [AX102277](#) [AX102651](#) [AX102660](#) [AX104024](#)
[203475](#) [PC4D0018P](#) [KIT38082NI](#) [8949-B88/6](#) [2-6609208-5](#) [30-8956](#) [30-8964-100](#) [SM85](#) [SM99S01VBNN04G7](#) [17-103540](#) [191587](#) [PDI-68-RV](#) [PHP-8P8C-S-5](#)