

Electrical:

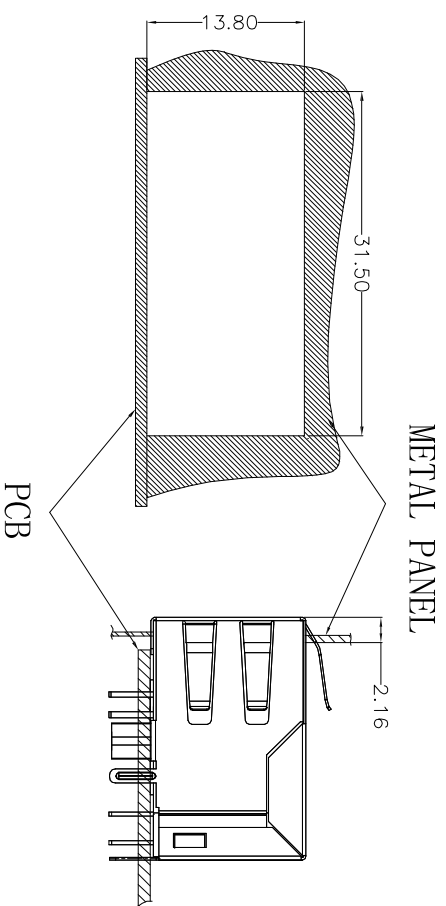
1. Turn ratio:1~2:J1~J2=1 CT:1 CT(±2%), 3~6:J3~J6=1 CT:1 CT(±2%).
2. OCL:350uH Min at 100KHz 100mV 8mA DC.
3. Insertion Loss: -1.0 dB Max 1~100MHZ.
4. Return loss: -20dB Min 1~10MHZ;
-16dB Min 10~30MHZ
-12dB Min 30~60MHZ
-10dB Min 60~80MHZ
5. Cross talk: -40dB Min 1~30MHZ;
-35dB Min 30~60MHZ;
-30dB Min 60~100MHZ;
6. CMR: -30dB Min 1~100MHZ;
7. Hi-Pot 1500V AC & 2250V DC
6S 1 mA PRI TO SEC

LED Specification

Standard LED Color	LED Wavelength	Forward(A)	Forward(V)
Green	568nm	20mA	1.85-2.45V
Yellow	585nm	20mA	1.7-2.2V

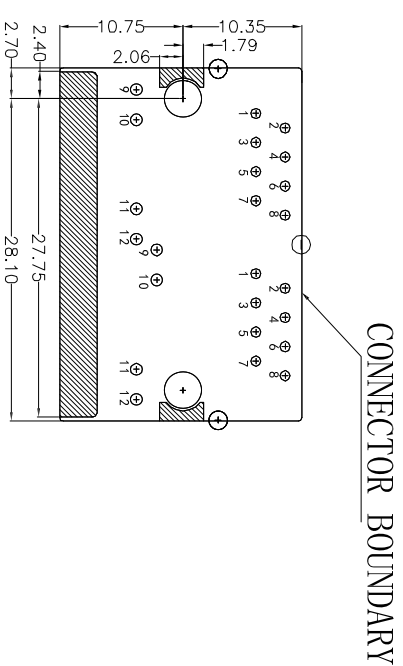
APPROVED:	DATE:	深圳市灿科盟实业有限公司 CHANKLEMENT INDUSTRYCO., LTD			
CHECKED:	DATE:				
DRAWN:	DATE:	TITLE:	百兆网口 RJ45-10P/8C TAB-DOWN 1X2 H=21.1 带灯 带弹 带滤波器 十字脚		
L. YAN	2020-12-11	PART. NO.	R-RJ45R08P-D201		
		UNIT	mm	SCALE	Free
		FILE NO.	Ckmtw-RJ45-0268	REV.	A0 KYD0

RECOMMENDED PANEL CUTOUT (REFERENCE ONLY) :




UNIT : MM / INCH
 TOLERANCES : ± 0.10 / 0.004
 REFERENCE ONLY

KEEP-OUT AREA (COMPONENT SIDE VIEW) :

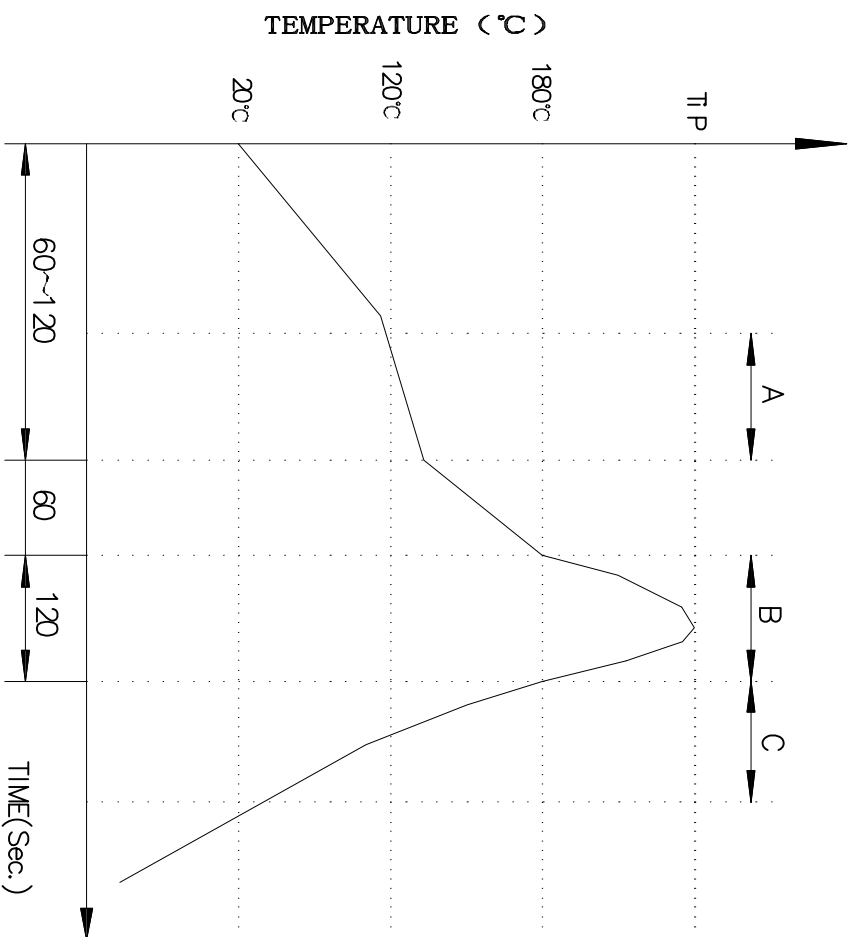


PLUG-IN SIDE

UNIT : MM / INCH
 TOLERANCES : 0.10 / 0.004

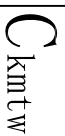
APPROVED:	DATE:	 深圳市灿科盟实业有限公司 CHANKLEMENT INDUSTRYCO., LTD			
CHECKED:	DATE:	TITLE: 百兆网口 RJ45-10P/8C TAB-DOWN 1X2 H=21.1 带灯 带弹 带滤波器 十字脚			
DRAWN:	DATE:	PART. NO.	R-RJ45R08P-D201		
L. YAN	2020-12-11	UNIT	mm	SCALE	Free
		FILE NO.	Ckmtw-RJ45-0268	REV.	A0 KYD0

PROFILE OF WAVE SOLDER



A. Preheating B. Soldering C. Gradual Cooling
 Tip temperature: $260 \pm 5^\circ\text{C}$.
 Tip temperature time: 5 Sec Max
 Tip melting point of Sn96.5/Ag3/Cu0.5: 217°C .

Remarks: after wave soldering, the plastic position columns of the product which under the PCB will be slightly melted, but it won't affect its function.

APPROVED:	DATE:	 深圳市灿科盟实业有限公司 CHANKLEMENT INDUSTRY CO., LTD			
CHECKED:	DATE:				
DRAWN:	DATE:	TITLE:	百兆网口 RJ45-10P/8C TAB-DOWN 1X2		
L. YAN	2020-12-11		H=21.1 带灯 带弹 带滤波器 十字脚		
		PART. NO.	R-RJ45R08P-D201		
		UNIT	mm	SCALE	Free
		FILE NO.	Ckmtw-RJ45-0268	REV.	A0 KYD0

X-ON Electronics

Largest Supplier of Electrical and Electronic Components

Click to view similar products for [Modular Connectors / Ethernet Connectors](#) category:

Click to view products by [Cankemeng](#) manufacturer:

Other Similar products are found below :

[8949-H88/06BLKA/SN](#) [74441-0010/BKN](#) [PHP-6P6C-5](#) [GAX-3-66](#) [GDCX-PN-66](#) [GLX-A-44](#) [GLX-N-1010M-BLK](#) [GLX-S-88M-BLK](#)
[GMX-SMT4-N-88](#) [GSGX-N-2-88](#) [GSGX-N-4-88](#) [GSX-NS2-88-3.05](#) [GSX-NS-88-3.68](#) [PT-108A-8C-UL](#) [PTS-J531-8CS-50UL](#) [A-2014-0-4](#)
[GWLX-S9-88-YG](#) [DC-1021-8-WH-6](#) [1300530003](#) [1324640-4](#) [132764-001](#) [1413235](#) [MPS88RX-5000](#) [E5288-S000K3-L](#) [155302-001](#)
[AX101050](#) [AX101063](#) [AX101065](#) [AX101072](#) [AX101307](#) [AX101315](#) [AX101318](#) [AX102271](#) [AX102277](#) [AX102651](#) [AX102660](#) [AX104024](#)
[203475](#) [PC4D0018P](#) [KIT38082NI](#) [8949-B88/6](#) [2-6609208-5](#) [30-8956](#) [30-8964-100](#) [SM85](#) [SM99S01VBNN04G7](#) [17-103540](#) [191587](#) [PDI-68-RV](#) [PHP-8P8C-S-5](#)