

## Specification

CWF □□□□ - 103 J 3380

①      ②      ③      ④      ⑤

- ① NTC Temp sensor
- ② Package Option
  - 1- Dipped ethoxyline resin (ex. 1A)
  - 2- Aluminum, copper, or stainless steel housing (ex. 2A)
  - 3- Plastic body (ex. 3AA)
  - 4- Sheet metal attachment fixtures (ex. 4B)
  - 5- Special probes (ex. 5B)
- ③ The Rated Resistance at 25°C  
Example: 103 =  $10 \times 10^3 = 10000\Omega = 10K\Omega$
- ④ The Precision Symbol of Rated Resistance  
F:  $\pm 1\%$  G:  $\pm 2\%$  H:  $\pm 3\%$  J:  $\pm 5\%$
- ⑤ B value (25/50°C) B value example: 3380K

## Technical Specifications

Part No.	Rated Resistance R25		B Value (25/50°C)		Dissi.Coef. (mW/°C)	Thermal time Constant (S)	Operating Temp. (°C)
	Range	Allowable	(K)	Allowable			
CWF□□□3100	0.1-20		3100				
CWF□□□3270	0.2-20		3270				
CWF□□□3380	0.5-50		3380				
CWF□□□3470	0.5-50		3470				
CWF□□□3600	1-100	± 1	3600	± 1			
CWF□□□3950	5-100	± 2	3950		≥ 2.2	≤ 70	-55 to 125
CWF□□□4000	5-100	± 3	4000	± 2			
CWF□□□4050	5-200	± 5	4050				
CWF□□□4150	10-250		4150				
CWF□□□4300	20-1000		4300				
CWF□□□4500	10-1000		4500				

# CWF



**CANTHERM**

Supplying high-quality bimetal and thermal sensor products.



**CWF Precision  
NTC Thermistor Probes  
for Temperature Measurement**



**CANTHERM**

Supplying high-quality bimetal and thermal sensor products.

8415 Mountain Sights Avenue • Montreal (Quebec), H4P 2B8, Canada

Tel: (514) 739-3274 • 1-800-561-7207 • Fax: (514) 739-2902 • E-mail: sales@cantherm.com

Website: [www.cantherm.com](http://www.cantherm.com) | Division of Microtherm

2014/Oct CWF

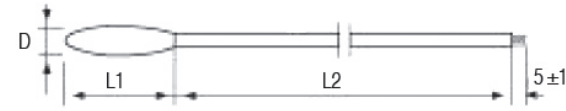


The CWF series NTC Thermistors are supplied in 5 basic styles of enclosures designed to facilitate installation in a wide variety of applications. PVC leads are applied to a precision, high-reliability NTC thermistor, insulated with heat conductive water resistant materials and potted into any of a wide variety of probe bodies. CWF thermistors are also available with custom housings or custom lead lengths for remote sensing and temperature control in difficult conditions.

Also see the **Cantherm Thermistor Probe Brochure** for additional models.

## Dimensions (mm)

mm (Max)				
Code	A	B	C	D
D Max	4	5	6	7
L1 Max	16	16	16	16
L2	Customer Specified			



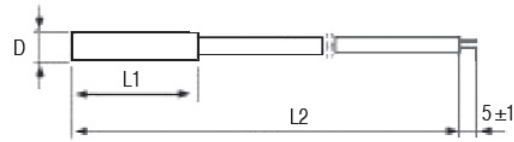
### CWF1 (Ethoxyline dipped)

**Characteristics:** Moisture resistant, good insulation, high reliability, small time constant, quick responses.

**Available Wire Types:** AWG 24#, 26#, 28#,30#, PVC

**Applications:** Household air-conditioning, refrigeration and many others.

Code	A	B	C	D	E	F	G
D (±0.2 mm)	4	5	5	5	6	6	6
L1 (±0.2 mm)	20	20	25	30	20	25	30
L2	Customer Specified						



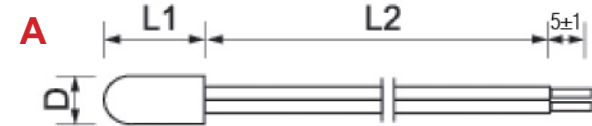
### CWF2 (Packaged in aluminum, copper, or stainless steel probe body)

**Characteristics:** High resistance to thermal shock, moisture resistant, strong and secure structure, high dissipation coefficient, the test current can be higher than that of the ethoxyline resin-package.

**Standard Wire Type:** AWG 24#, 26#, 28#,30#, PVC

**Applications:** Refrigeration, air-conditioning, water heaters, drinking fountains, and more.

3A	Code	A	B	C	D
D (±0.2 mm)		3.5	4	5	6
L1 (±0.2 mm)		15	15	15	20
L2		Customer Specified			



3B	Code	A	B	C
D (±0.2 mm)		4	8	8
L1 (±0.2 mm)		10	35	50
L2		Customer Specified		



### CWF3 (Plastic body)

**Characteristics:** Good dimensional tolerances, good heat resistance and moisture protection, high voltage resistance.

**Available Wire Types:** AWG 24#, 26#, 28#,30#, PVC

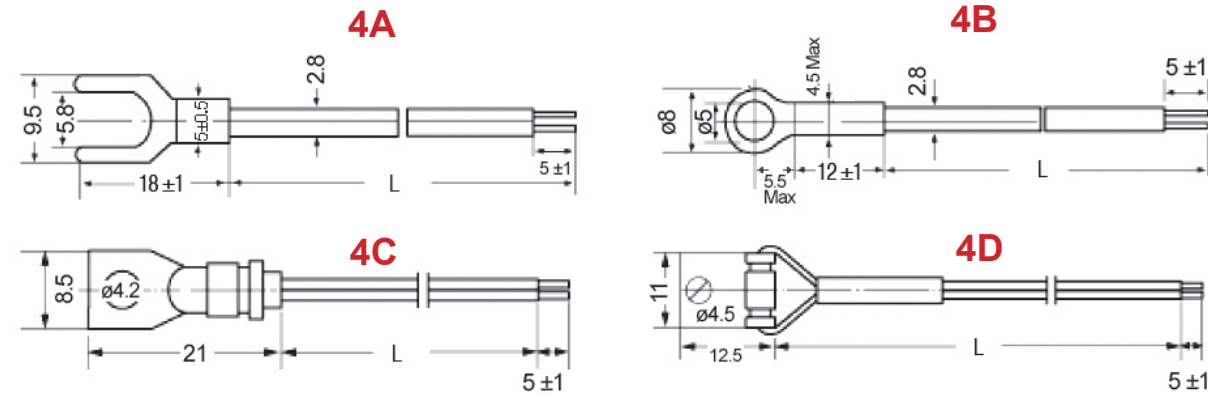
**Applications:** Air-conditioning, refrigeration, and more.

## Applications

- Heating, ventilation & air conditioning
- Temperature regulation and measurement
- Automotive electronics
- Water heaters
- Household appliances such as refrigerators, water coolers, dishwashers and many others

## Characteristics

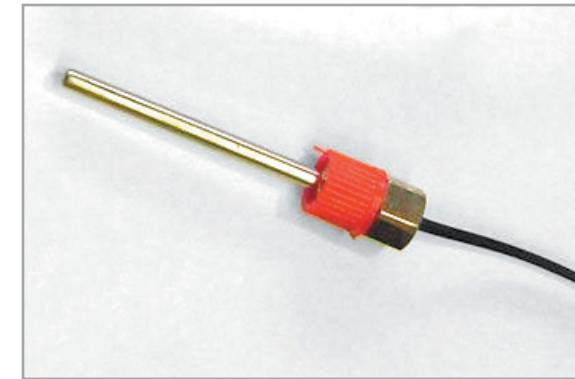
- Wide variety of installation fixtures and probes are available to suit your needs.
- Small size and fast response (temperature coefficient of resistance can reach- (2~5%/°C)
- Long-term stability and reliability (yearly drift of ≤1%)
- Excellent tolerance and interchangeability (the accuracy of R and B value can be ±1%)
- Double layer packaging provides excellent insulation and high strength and impact resistance.
- Dissipation constant type 1 package ≥2.0mW/°C, type 2 package ≥4.0mW/°C
- Time constant of ≤15S to 70S



### CWF4 (Sheet metal attachment fixtures)

**Characteristics:** Wide variety of fixtures, suitable for most applications.

**Applications:** Fan control, industrial temperature controllers, and more.



### CWF5 (Custom probes)

**Characteristics:** Small time constant, fast response, flexible and secure.

**Applications:** Water heaters, electronic thermometers, and more.

\* Also refer to the **Cantherm Custom NTC Thermistor Probe Brochure**.

## X-ON Electronics

Largest Supplier of Electrical and Electronic Components

*Click to view similar products for [cantherm](#) manufacturer:*

Other Similar products are found below :

[T22A08505DFFBG0E](#) [A1011005](#) [PPC-6.0-S-100-3-B-2000MM PT4320](#) [TPC-K-316-3.0-I-100-2.0MTR CT45KX](#) [F20B14505ACFA06E](#)  
[TPC-K-316-6.0-I-100-2.0MTR CT45KX](#) [A1009005](#) [MQT8K037XB](#) [PPC-6.0-S-50-3-B-2000MM PT4320](#) [TPC-J-316-3.0-I-100-2.0MTR](#)  
[CT45JX](#) [TPC-J-316-6.0-I-100-2.0MTR CT45JX](#) [F20B065053600060](#) [PPC-3.0-S-150-3-B-2000MM PT4320](#) [MQT8K005XBARB](#) [TPC-J-316-](#)  
[3.0-I-150-2.0MTR CT45JX](#) [TPC-J-316-3.0-I-050-2.0MTR CT45JX](#) [TPC-K-316-6.0-I-050-2.0MTR CT45KX](#) [TPC-K-316-6.0-I-150-2.0MTR](#)  
[CT45KX](#) [TPC-K-316-3.0-I-150-2.0MTR CT45KX](#) [PPC-6.0-S-150-3-B-2000MM PT4320](#) [TPC-K-316-3.0-I-050-2.0MTR CT45KX](#)  
[MQT8K000XBARB](#) [F20A15005ACFA06E](#) [TPC-J-316-6.0-I-050-2.0MTR CT45JX](#) [TPC-J-316-6.0-I-150-2.0MTR CT45JX](#) [A1007005](#)  
[A1006505](#) [MF52A2333J3950](#) [F20B135051ZA0060](#) [F20A15005DCFB06E](#) [T22A16005DFFBG0E](#) [T22A10505DFFBG0E](#)  
[B12A16005DEDB0GE](#) [CS713025Y](#) [F20B145051ZA0060](#) [B12B06505AEDA0GE](#) [F20A160051ZA0060](#) [MQT8K015XB](#) [CS704015Y](#)  
[CS709025Y](#) [F20A12505ACFA06E](#) [F20B085053600060](#) [CS710015Y](#) [F20B07505ACFA06E](#) [MQT8K020YB](#) [F20B100053600060](#)  
[F20A105053600060](#) [F20A120053600060](#) [F20A110053600060](#) [F20B09005ACFA06E](#)