

CEP Series

Conductive Plugs for Threaded Connectors

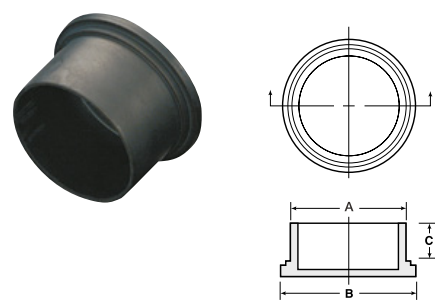


Designed to plug the more popular sizes of both threaded and non-threaded, bayonet type electrical and electronic connectors, CEP Series Conductive Plugs provide electrical shielding as well as mechanical protection.

- Applicable specifications: SAE AS85049/138

Material: Conductive Polyethylene Copolymer (EVA)

Color: Black

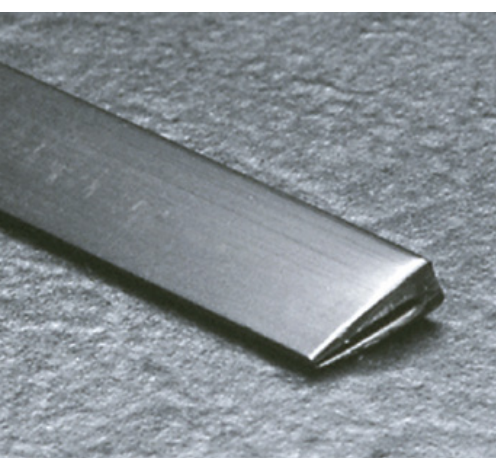


Conductive Plugs for Threaded Connectors CEP Series

Caplugs No.	To Plug Nominal Thread Size	Dimensions						Packaging	
		A		B		C		Carton Quantity	Mini Pak Quantity
		In	mm	In	mm	In	mm		
CEP-08	1/2 - 28	.483	12.27	.67	17.02	.55	13.97	5000	1000
CEP-10	5/8 - 24	.601	15.27	.76	19.30	.56	14.22	5000	1000
CEP-12	3/4 - 20	.730	18.54	.88	22.35	.56	14.22	5000	1000
CEP-14	7/8 - 20	.852	21.64	1.02	25.91	.56	14.22	5000	1000
CEP-16	1 - 20	.976	24.79	1.16	29.47	.55	13.97	2500	500
CEP-18	1-1/8 - 18	1.091	27.71	1.25	31.75	.54	13.72	2500	500
CEP-20	1-1/4 - 18	1.231	31.27	1.45	36.83	.55	13.97	2500	500
CEP-22	1-3/8 - 18	1.340	34.04	1.52	38.61	.54	13.72	2500	500
CEP-24	1-1/2 - 18	1.463	37.16	1.67	42.42	.55	13.97	1000	200
CEP-25	1-9/16 - 18	1.580	40.13	1.81	45.97	.62	15.75	1250	250
CEP-28	1-3/4 - 18	1.727	43.87	1.90	48.26	.55	13.97	1000	200
CEP-29	1-13/16 - 16	1.756	44.60	1.94	49.28	.56	14.22	1000	200
CEP-32	2 - 18	1.984	50.39	2.16	58.87	.54	13.72	1000	200
CEP-36	2-1/4 - 16	2.221	56.41	2.39	60.71	.55	13.97	1000	200
CEP-40	2-1/2 - 16	2.460	62.48	2.67	67.82	.56	14.22	1000	200
CEP-44	2-3/4 - 16	2.683	68.14	2.88	73.15	.56	14.22	500	100
CEP-48	3 - 16	2.944	74.78	3.12	79.25	.54	13.72	500	100

CEG Series

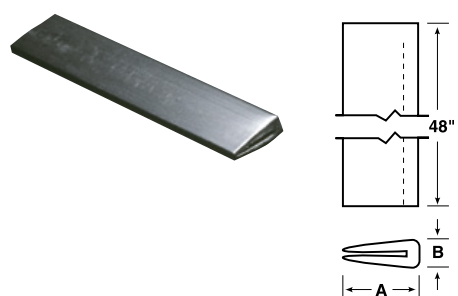
Conductive Edge Liners



CEG Series conductive edge liners securely grip each contact of edgeboard connectors and are also used for single in-line devices. These extruded conductive edge liners are the most cost-effective way to provide both ESD and physical protection for circuit boards and subassemblies.

Material: Conductive Polyethylene Copolymer (EVA)

Color: Black



Conductive Edge Liners CEG Series

Caplugs No.	Metal Thickness		Dimensions				Packaging	
	In	mm	A		B		No. of 48" Length Pieces	Mini Pak Quantity
	In	mm	In	mm	In	mm		
CEG-23-1	.03	.76	.48	12.19	.17	4.32	100	20
CEG-23-2	.06	1.52	.48	12.19	.20	5.08	100	20
CEG-23-2N	.06	1.52	.28	7.11	.20	5.08	150	30

IEC Series

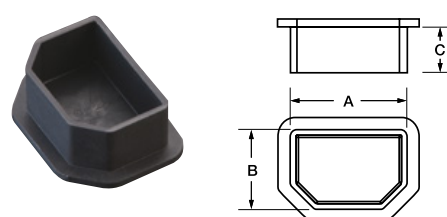
Plugs for Female Connectors



IEC Series non-conductive plugs keep female connectors free of dust, moisture and contaminants during transit and storage.

- Inexpensive
- Flanged end offers easy installation and removal
- Available with a tab (IEC-14-TAB)

Material: Low-Density Polyethylene or PVC **Color:** Black



Plugs for Female Connectors IEC Series

Caplugs No.	Dimensions						Packaging	
	A		B		C		Carton Quantity	Mini Pak Quantity
	In	mm	In	mm	In	mm		
IEC-14	.960	24.38	.660	16.76	.380	9.65	4000	800
IEC-14-TAB	.960	24.38	.660	16.76	.380	9.65	2500	n/a

X-ON Electronics

Largest Supplier of Electrical and Electronic Components

Click to view similar products for [Standard Circular Connector](#) category:

Click to view products by [Caplugs](#) manufacturer:

Other Similar products are found below :

[5M2530B10P](#) [600259N006](#) [600273N007](#) [6134-336-13149](#) [6134-337-11149](#) [6134-337-2390](#) [6134-341-17149](#) [6280-4SG-516](#) [6280-7SG-3DC](#)
[6290](#) [6291A](#) [66200A-10](#) [680-SMG](#) [681-PMG](#) [CXS3102A14S2P](#) [CXS3102A181S](#) [7251-5SG-300](#) [7271-6SG-300](#) [7282-3PG-300-CH3](#) [75-](#)
[474618-01S](#) [75-474618-04P](#) [75-474618-04S](#) [799539-000](#) [MI8-SE](#) [805-005-07NF11-19PC](#) [805-005-07NF15-7PA](#) [8280-4PG-516](#) [8280-7PG-](#)
[519](#) [8282-5PG-519](#) [836783-1](#) [MP-4102-25P-C](#) [862256-1](#) [864019-2](#) [866857-1](#) [867865-1](#) [PT01SP-14-18P](#) [PT08P-14-5S](#) [PTSF06SE-14-12S](#)
[120-1833-000](#) [QCM019PC2DC012B](#) [1-2069279-1](#) [121583-0217](#) [121667-0020](#) [129591AU](#) [1000B BULK](#) [RD10A16-19-P6CS051/1](#)
[RD10A20-31-P8CS051/1](#) [RD16A14-12-S6CS051/2](#) [1301240290](#) [1301240347](#) [1301860202](#)