

CBC Series

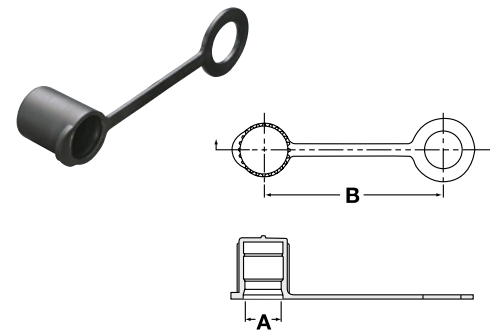
Coaxial Cable Connector Caps



CBC Series tethered caps are used to protect cable connectors during packaging and shipping.

- Snaps securely to keep dirt and moisture out
- Fits 3/8" diameter

Material: Low-Density Polyethylene **Color:** Black



Coaxial Cable Connector Caps CBC Series

Caplugs No.	To Fit Thread Size	Dimensions				Packaging	
		A		B		Carton Quantity	Mini Pak Quantity
		In	mm	In	mm		
CBC-6	3/8	.360	9.14	1.75	44.45	5000	1000

EP Series

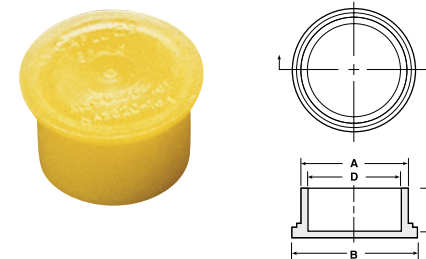
Plugs for Threaded Connectors



EP Series plugs for threaded connectors are designed for easy application and removal in areas not readily accessible. They can be installed to fit threaded or smooth cylindrical surfaces.

- Applicable specifications: NAS 837, NAS 820, MS/AS 90376

Material: Low-Density Polyethylene **Color:** Yellow



Plugs for Threaded Connectors EP Series

Caplugs No.	To Plug Nominal Thread Size	Dimensions								Packaging	
		A		B		C		D		Carton Quantity	Mini Pak Quantity
		In	mm	In	mm	In	mm	In	mm		
EP-8	1/2 - 28	.483	12.27	.67	17.02	.63	16.00	.41	10.41	5000	1000
EP-10	5/8 - 24	.595	15.11	.75	19.05	.63	16.00	.53	13.46	5000	1000
EP-12	3/4 - 20	.715	18.16	.86	21.84	.63	16.00	.66	16.76	5000	1000
EP-14	7/8 - 20	.845	21.46	1.03	26.16	.63	16.00	.79	20.07	5000	1000
EP-16	1 - 20	.963	24.46	1.12	28.45	.63	16.00	.89	22.61	2500	500
EP-18	1-1/8 - 18	1.088	27.64	1.25	31.75	.63	16.00	1.03	26.16	2500	500
EP-20	1-1/4 - 18	1.215	30.86	1.40	35.56	.63	16.00	1.15	29.21	2500	500
EP-22	1-3/8 - 18	1.340	34.04	1.50	38.10	.63	16.00	1.27	32.26	2500	500
EP-24	1-1/2 - 18	1.460	37.08	1.64	41.66	.63	16.00	1.39	35.31	1000	200
EP-25	1-5/8 - 16	1.580	40.13	1.81	45.98	.63	16.00	1.54	39.12	1000	200
EP-28	1-3/4 - 18	1.718	43.64	1.87	47.49	.63	16.00	1.68	42.67	1000	200
EP-32	2 - 18	1.970	50.04	2.13	54.10	.63	16.00	1.89	48.01	1000	200
EP-36	2-1/4 - 16	2.210	56.13	2.34	59.44	.63	16.00	2.14	54.36	1000	200
EP-40	2-1/2 - 16	2.450	62.23	2.60	66.04	.63	16.00	2.38	60.45	1000	200
EP-44	2-3/4 - 16	2.700	68.58	2.88	73.15	.63	16.00	2.63	66.80	500	100
EP-48	3 - 16	2.950	74.93	3.12	79.25	.63	16.00	2.88	73.15	500	100

USB Series

Cap & Plug for USB Connectors

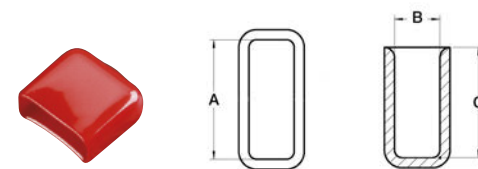


Cap for USB Type A Cable Ends

USB Type A protective caps slip on quickly and easily while maintaining a snug fit to protect USB Type A cable ends and flash drives from dust, moisture, and contaminants.

- Convenient pull-tab for quick and easy removal
- Non-conductive

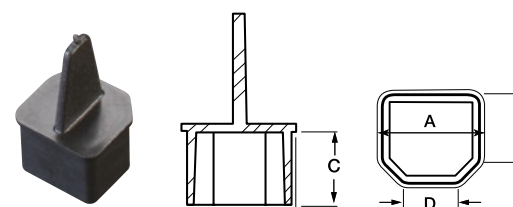
Material: Vinyl **Color:** Red



Plug for Type B Female Port

USB Series plugs protect type B USB female ports from dust, moisture, and contaminants.

Material: Low-Density Polyethylene **Color:** Black



Cap and Plug for USB Connectors USB Series

Caplugs No.	Dimensions								Packaging		
	A		B		C		D		Carton Quantity	Mini Pak Quantity	Micro Pak Quantity
	In	mm	In	mm	In	mm	In	mm			
USB-A-CAP	.48	12.19	.18	4.57	.438	11.13	n/a	n/a	1000	200	40
USB-B	.326	8.28	.326	8.28	.25	6.35	.20	5.08	5000	1000	200

X-ON Electronics

Largest Supplier of Electrical and Electronic Components

Click to view similar products for [Standard Circular Connector](#) category:

Click to view products by [Caplugs](#) manufacturer:

Other Similar products are found below :

[5M2530B10P](#) [600259N006](#) [600273N007](#) [6134-336-13149](#) [6134-337-11149](#) [6134-337-2390](#) [6134-341-17149](#) [6280-4SG-516](#) [6280-7SG-3DC](#)
[6290](#) [6291A](#) [66200A-10](#) [680-SMG](#) [681-PMG](#) [CXS3102A14S2P](#) [CXS3102A181S](#) [7251-5SG-300](#) [7271-6SG-300](#) [7282-3PG-300-CH3](#) [75-](#)
[474618-01S](#) [75-474618-04P](#) [75-474618-04S](#) [799539-000](#) [MI8-SE](#) [805-005-07NF11-19PC](#) [805-005-07NF15-7PA](#) [8280-4PG-516](#) [8280-7PG-](#)
[519](#) [8282-5PG-519](#) [836783-1](#) [MP-4102-25P-C](#) [862256-1](#) [864019-2](#) [866857-1](#) [867865-1](#) [PT01SP-14-18P](#) [PT08P-14-5S](#) [PTSF06SE-14-12S](#)
[120-1833-000](#) [QCM019PC2DC012B](#) [1-2069279-1](#) [121583-0217](#) [121667-0020](#) [129591AU](#) [1000B BULK](#) [RD10A16-19-P6CS051/1](#)
[RD10A20-31-P8CS051/1](#) [RD16A14-12-S6CS051/2](#) [1301240290](#) [1301240347](#) [1301860202](#)