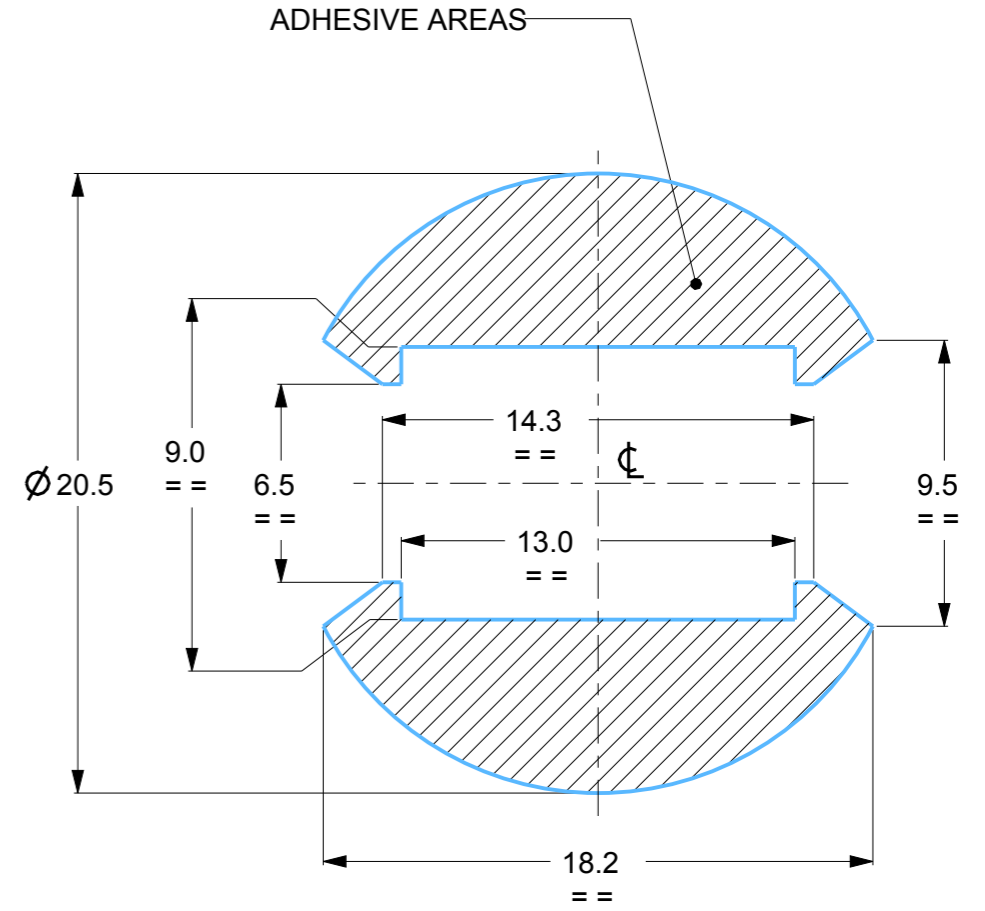
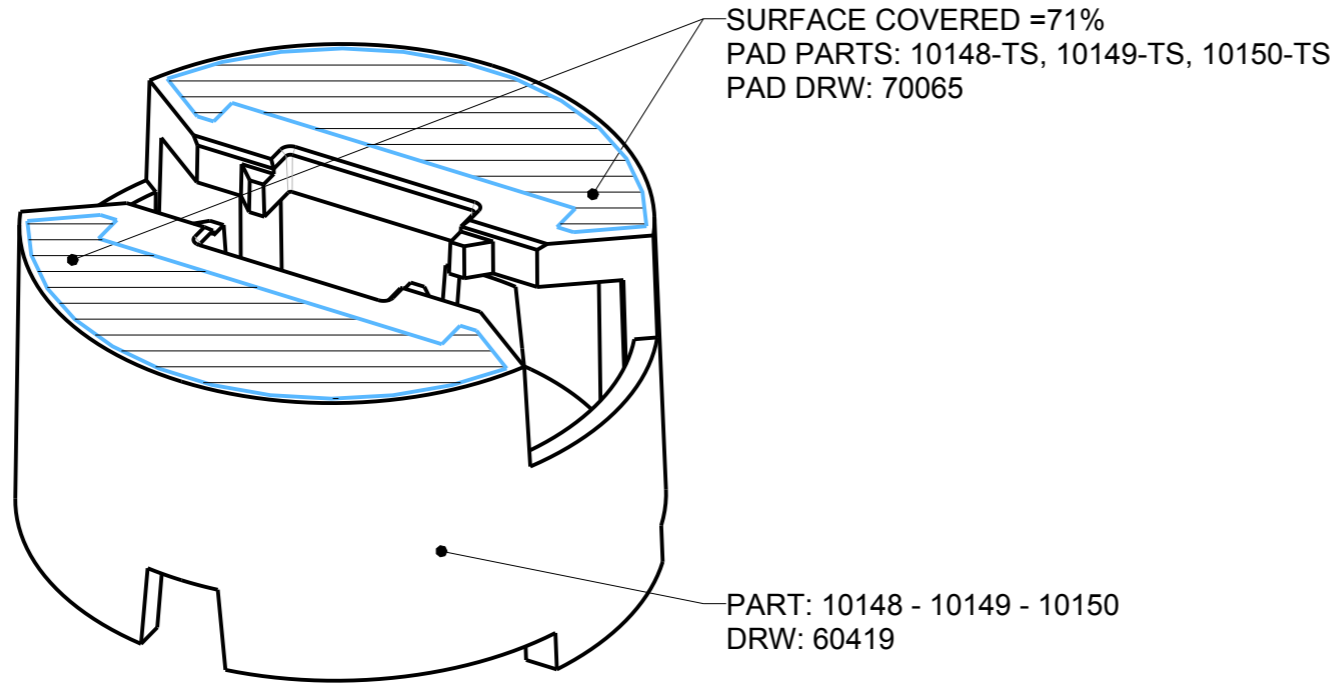


REV.	DATE	D.C.N. NUMBER	DESCRIPTION	CHECKED BY DATE	APPROVED BY DATE
1	22/09/11		FIRST ISSUE	MH 22/09/11	PW 22/09/11



NOTES:
-TAPE SPEC: 3M 9495LE
-THICKNESS 0.17mm
-GENERAL OFFSET FROM HOLDER EDGES IS 0.2mm

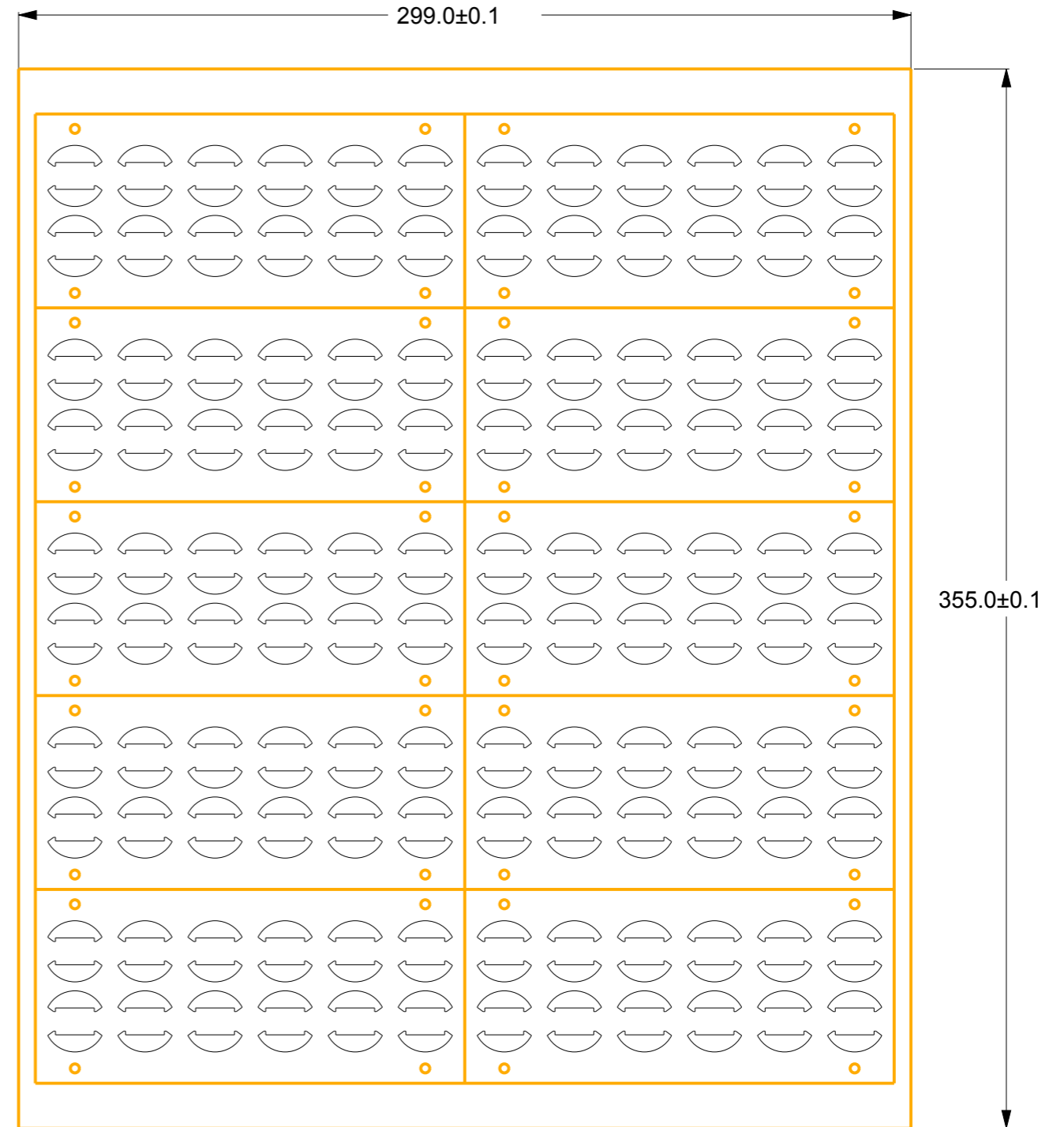
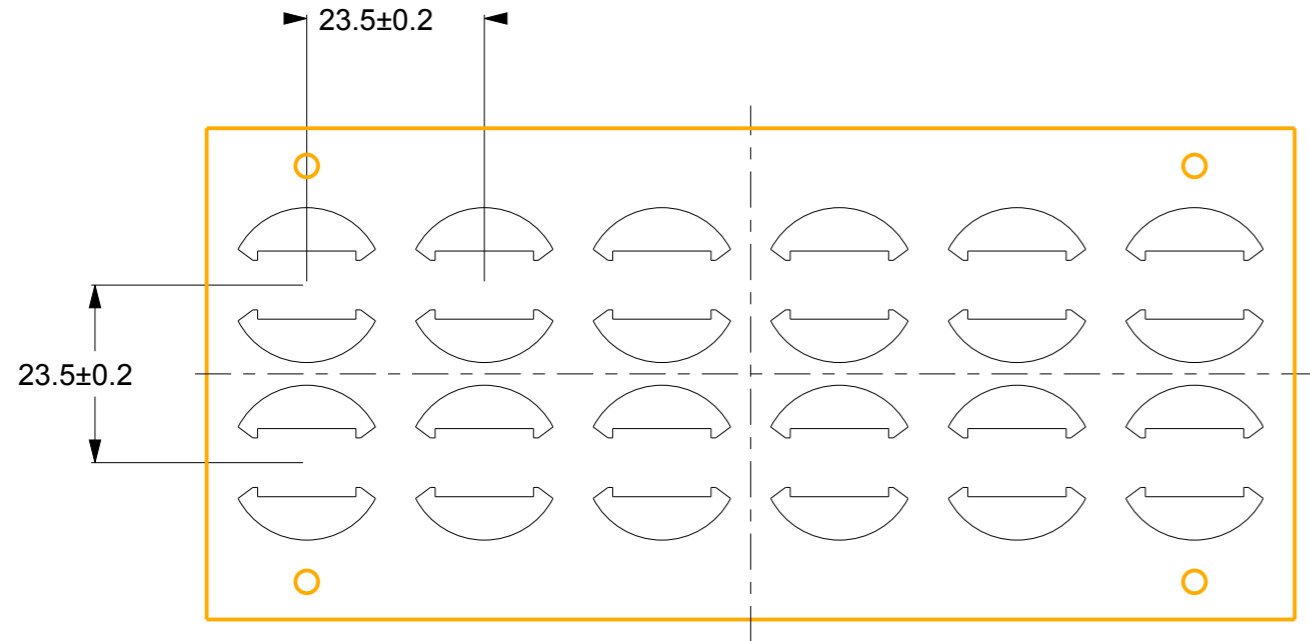
PART NUMBER	COLOUR
10148-TS	BLACK
10149-TS	CLEAR
10150-TS	WHITE

SCALE 4:1 Sheet 2 of 10

<p>103 BUCKINGHAM AVE, SLOUGH, BERKSHIRE, SL1 4PF, UK Tel: +44 1753 610800. Fax: +44 1753 611359 Email: design@carclo-optics.com www.carclo-optics.com</p>	Title	20mm DIA LED TAPED OPTIC HOLDER FOR OSRAM DRAGON LED			
	Customer	CARCLO			
Drawn by	FP	Material	SEE NOTE	Scale	AS SPEC.
THIRD ANGLE PROJECTION	GENERAL TOLERANCES UNLESS OTHERWISE STATED		DIMENSIONS IN mm		Format Size
	LINEAR	ANGULAR			A3
	0 ± 0.25	0 ± 1°	CAD File		80-12567-70064-UNI-SHEET-PAD
	0.0 ± 0.1	0.0 ± 0.5°	Drw. N°		70065
	0.00 ± 0.05	0.00 ± 0.1°	Part N°		SEE TABLE
	CARCLO technical plastics		CONFIDENTIAL: UNAUTHORISED COPYING, DISCUSSION & DISTRIBUTION PROHIBITED		

GENERAL LAYOUT INFO

REV.	DATE	D.C.N. NUMBER	DESCRIPTION	CHECKED BY DATE	APPROVED BY DATE
1	22/09/11		FIRST ISSUE	MH 22/09/11	PW 22/09/11



- NOTES:
- TAPE SPEC: 3M 9495LE
 - THICKNESS 0.17mm
 - GENERAL OFFSET FROM HOLDER EDGES IS 0.2mm

SCALE 1:2

<p>103 BUCKINGHAM AVE, SLOUGH, BERKSHIRE, SL1 4PF, UK Tel: +44 1753 610800, Fax: +44 1753 611359 Email: design@carclo-optics.com www.carclo-optics.com</p>	Title		UNIVERSAL SHEET ADHESIVE PAD ASSEMBLY			
	Customer		CARCLO			
Drawn by		FP	Material	SEE NOTE	Scale	AS SPEC.
THIRD ANGLE PROJECTION	GENERAL TOLERANCES UNLESS OTHERWISE STATED		DIMENSIONS IN mm		Format Size	
	LINEAR	ANGULAR			A3	
	0 ± 0.25	0 ± 1°	CAD File		80-12567-70064-UNI-SHEET-PAD	
	0.0 ± 0.1	0.0 ± 0.5°	Drw. N°		70064	
	0.00 ± 0.05	0.00 ± 0.1°	Part N°		12567	
CARCLO technical plastics			CONFIDENTIAL: UNAUTHORISED COPYING, DISCUSSION & DISTRIBUTION PROHIBITED			

X-ON Electronics

Largest Supplier of Electrical and Electronic Components

Click to view similar products for [LED Lighting Mounting Accessories](#) category:

Click to view products by [Carclo](#) manufacturer:

Other Similar products are found below :

[C16142_HEKLA-SOCKET-K](#) [3SU1401-1BG20-1AA0](#) [3SU1900-0BC31-0NB0](#) [ES16-RT](#) [1SFA616921R2042](#) [1SFA616921R2131](#)
[1SFA616921R2133](#) [1SFA616921R2143](#) [1SFA611621R1093](#) [90100002](#) [B8910020](#) [D3980022](#) [E3990022](#) [E3990040](#) [V4840019](#) [V4850019](#)
[CABI12 E BK 1M SET PRM](#) [FLAT8 H/U BK 1M SET PRM](#) [BEGTIN12 J/S BK 1M SET PRM](#) [1-2213678-6](#) [C16791_CLAMP-Z45-A](#)
[F17250_SOLDER-CLIP-A](#) [CM22-4-20MA](#) [CM22-R10K-MT](#) [CM22-R1K](#) [CM22-R50K](#) [CM22-R5K-MT](#) [CM22-SLR](#) [10465](#) [M22-A](#) [M22-](#)
[CK11](#) [M22-CK20](#) [M22G-XGPV](#) [M22-K01](#) [M22-LCH-W](#) [M22-LC-R](#) [M22-LED230-R](#) [M22-LED230-W](#) [M22-LEDC230-G](#) [M22-LEDC-G](#)
[M22-LEDC-W](#) [M22-LED-G](#) [M22-LED-W](#) [M22-L-G](#) [M22-LH-G](#) [M22-LH-R](#) [M22-LH-W](#) [M22-L-R](#) [M22-L-W](#) [M22-L-X](#)