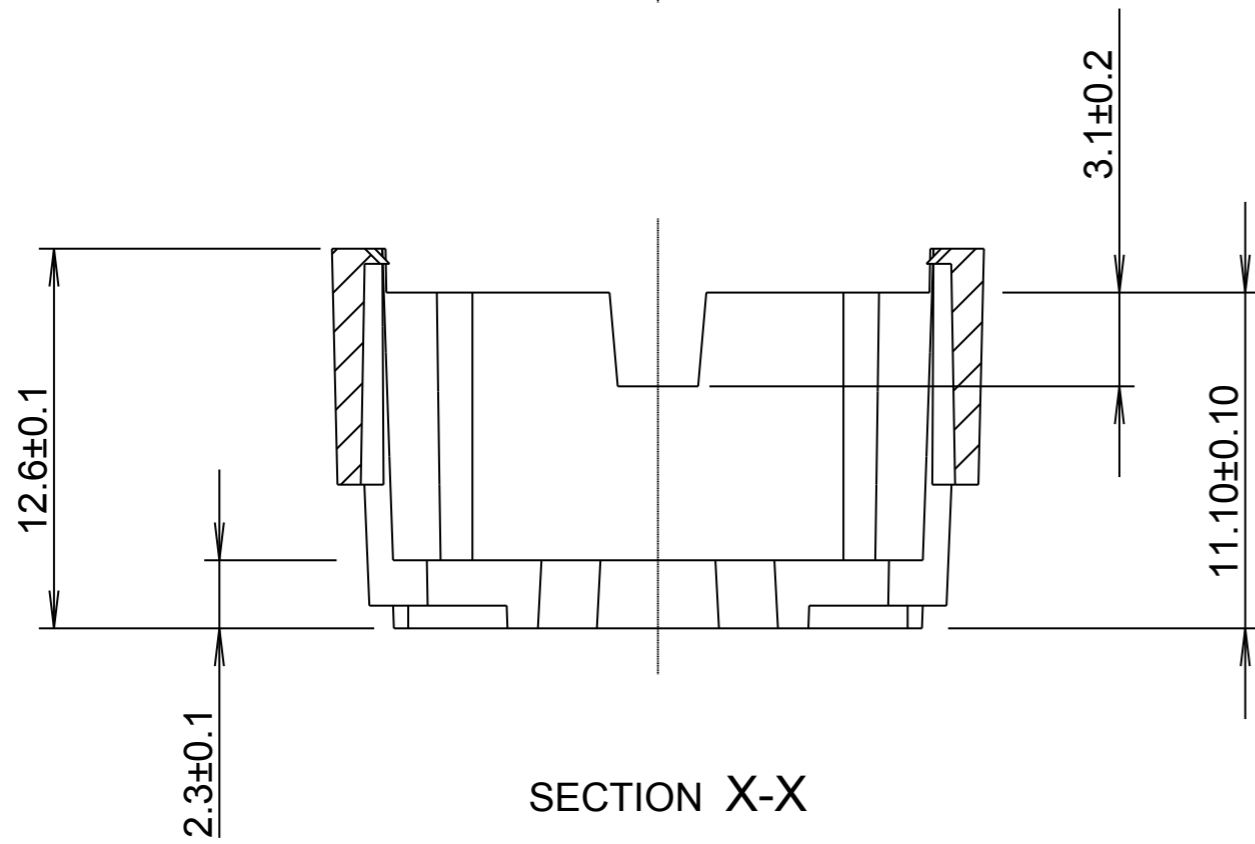
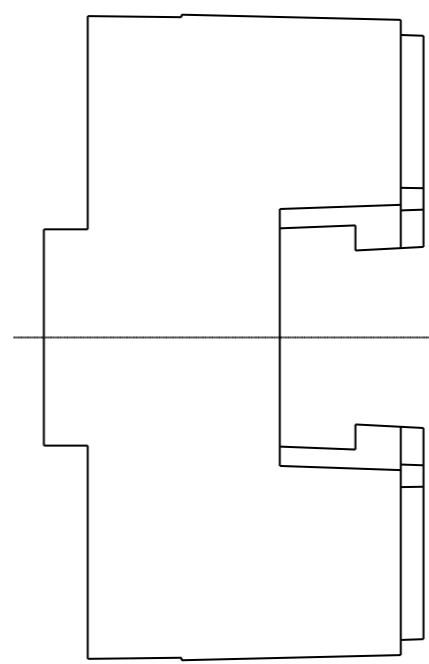
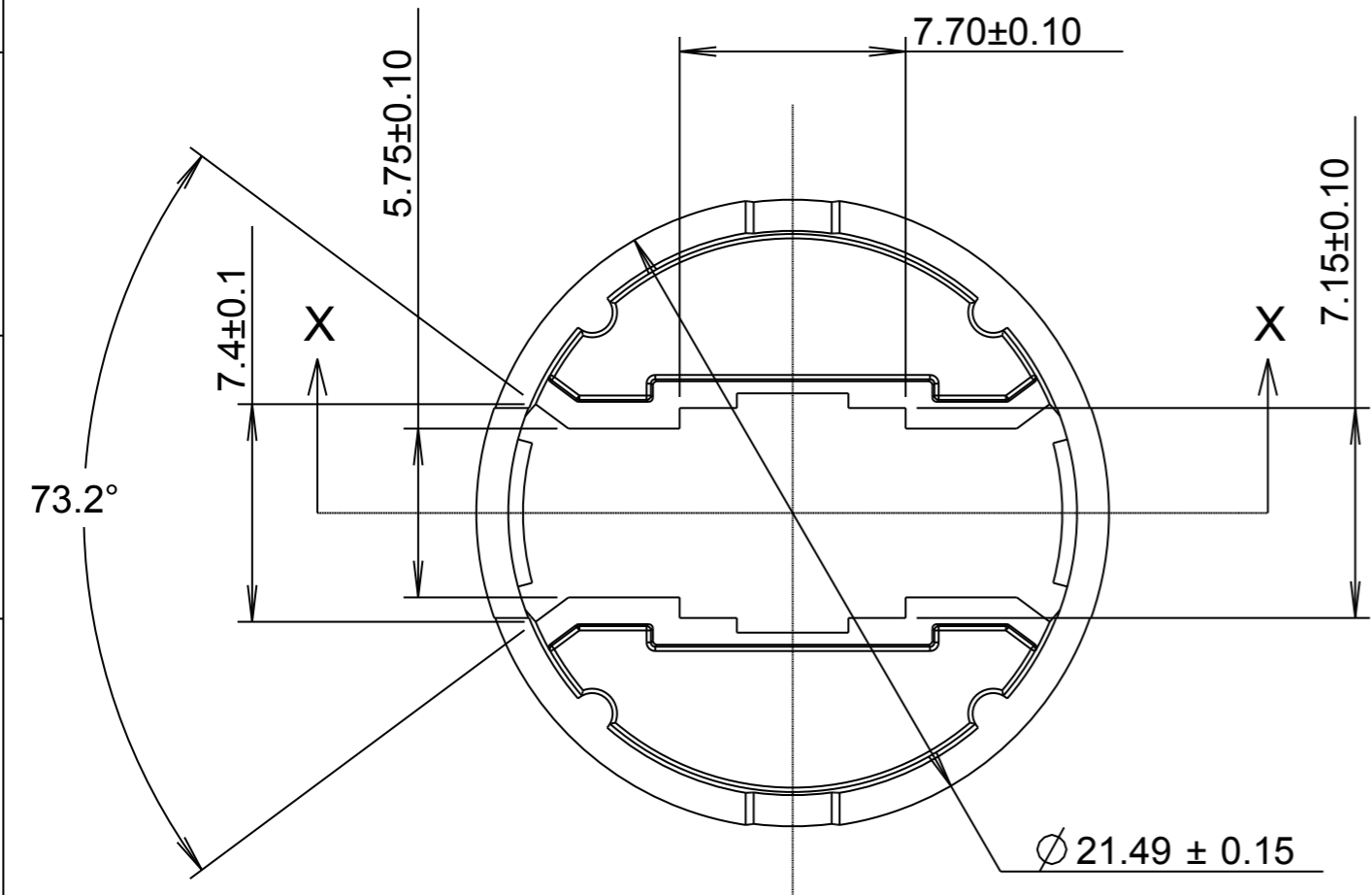
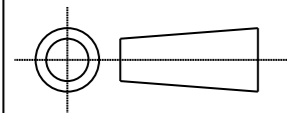


# CUSTOMER DRAWING

©2007 CARCLO  
ALL DIMENSIONS IN mm



PART No.	DESCRIPTION
10512	BLACK POLYCARBONATE
10513	WHITE POLYCARBONATE
10514	CLEAR POLYCARBONATE

ISS.	DATE	E.C.N.	DESCRIPTION
1	9-May-08		FIRST ISSUE
2	26-Jan-09	01/09/1239	Description and Part numbers modified



CARCLO TECHNICAL PLASTICS (SLOUGH)  
111 BUCKINGHAM AVE, SLOUGH  
SL1 4PF, ENGLAND  
TEL: +44 1753 575011 FAX: +44 1753 811359  
email: design@carclo-optics.com

GENERAL TOLERANCES (UNLESS STATED)

LINEAR	ANGULAR
X +/- 0.25	X +/- 1°
X.X +/- 0.1	X.X +/- 0.5°
X.XX +/- 0.05	X.XX +/- 0.1°

CUSTOMER  
CARCLO

TITLE  
20MM DIA OPTIC HOLDER  
FOR CREE MULT-CHIP LED

DRAWN AJD DATE 9-May-08

CHK'D DATE

APP'D DATE

SCALE 4:1 CARCLO PART No. SEE TABLE

SIZE A3 CARCLO DRG. No. 60529 SHEET 1 OF 1

## **X-ON Electronics**

Largest Supplier of Electrical and Electronic Components

*Click to view similar products for [LED Lighting Mounting Accessories](#) category:*

*Click to view products by [Carclo](#) manufacturer:*

Other Similar products are found below :

[Carclo](#)