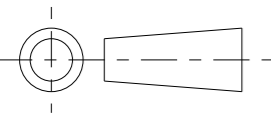


# CUSTOMER DRAWING

©2011 CTP-COIL  
ALL DIMENSIONS IN mm

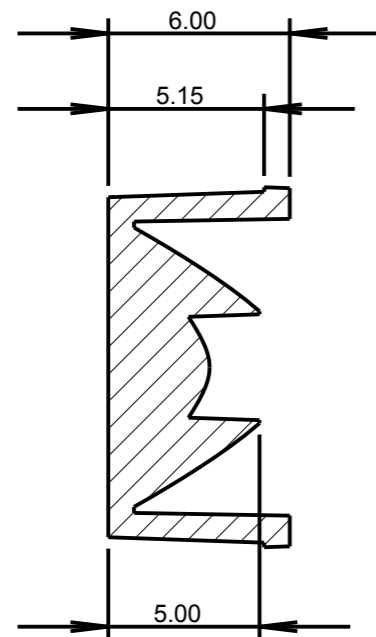
ISS.	DATE	E.C.N.	DESCRIPTION
1	18-Aug-10		FIRST ISSUE
2	23-Mar-11	03/11/1294	ADD RECESS & DIM
3	17-Nov-11	11/11/1314	CHANGE 2.0MM PEGS HEIGHT TO 0.8mm



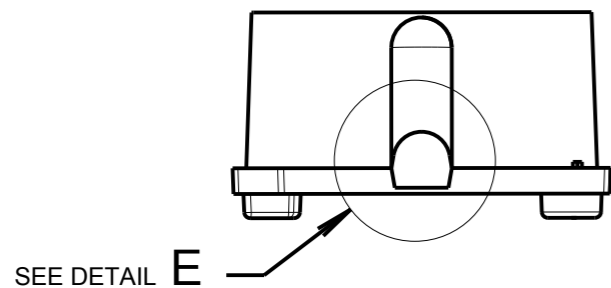
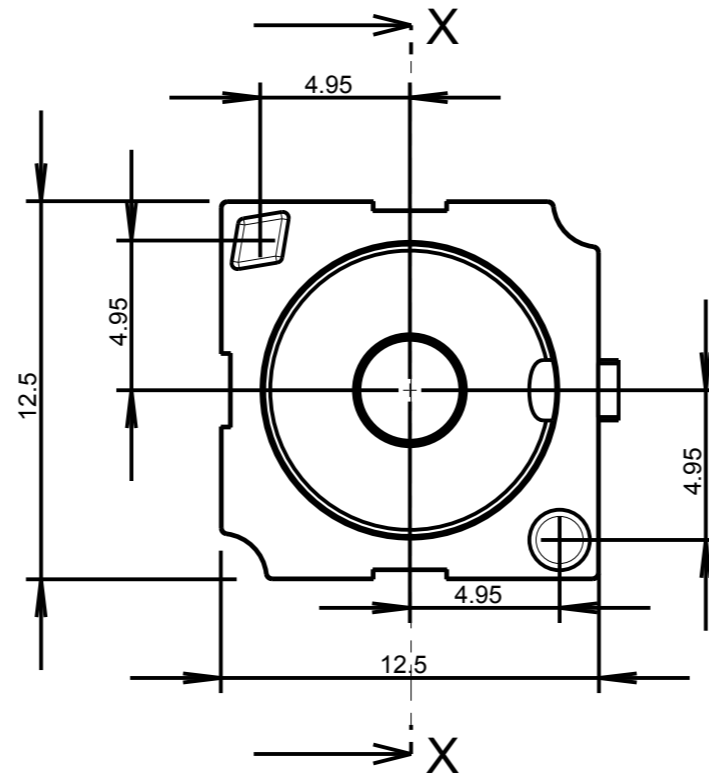
GENERAL VIEW



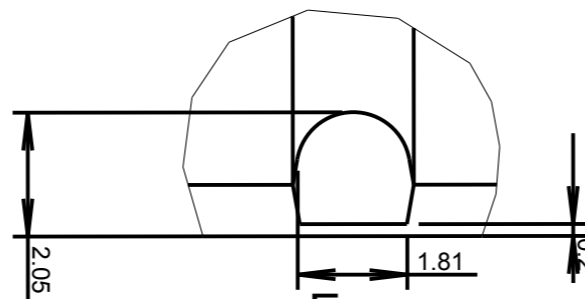
SCALE 1:1



SECTION X-X



SEE DETAIL E



DETAIL E  
SCALE 8:1

FROSTED FINISH	CARCLO PART No
NARROW FROSTED	10771
MEDIUM FROSTED	10772

MATERIAL - UV STABILISED CLEAR POLYCARBONATE



CARCLO TECHNICAL PLASTICS (SLOUGH)  
103 BUCKINGHAM AVE, SLOUGH  
SL1 4PF, ENGLAND  
TEL: +44 1753 575011 FAX: +44 1753 811359  
email: design@carclo-optics.com

GENERAL TOLERANCES (UNLESS STATED)

LINEAR	ANGULAR
X +/- 0.25	X +/- 1°
X.X +/- 0.1	X.X +/- 0.5°
X.XX +/- 0.05	X.XX +/- 0.1°

CUSTOMER

CARCLO

TITLE

10mm IP66 NARROW & MEDIUM  
FROSTED OPTICS

DRAWN

DATE

BB

18-Aug-10

CHK'D

MH

DATE

29-Nov-11

APP'D

PW

DATE

29-Nov-11

SCALE

4:1

CARCLO PART No.

see table

SIZE

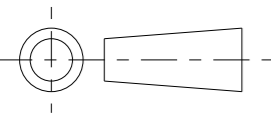
A3

CARCLO DRG. No.

60596

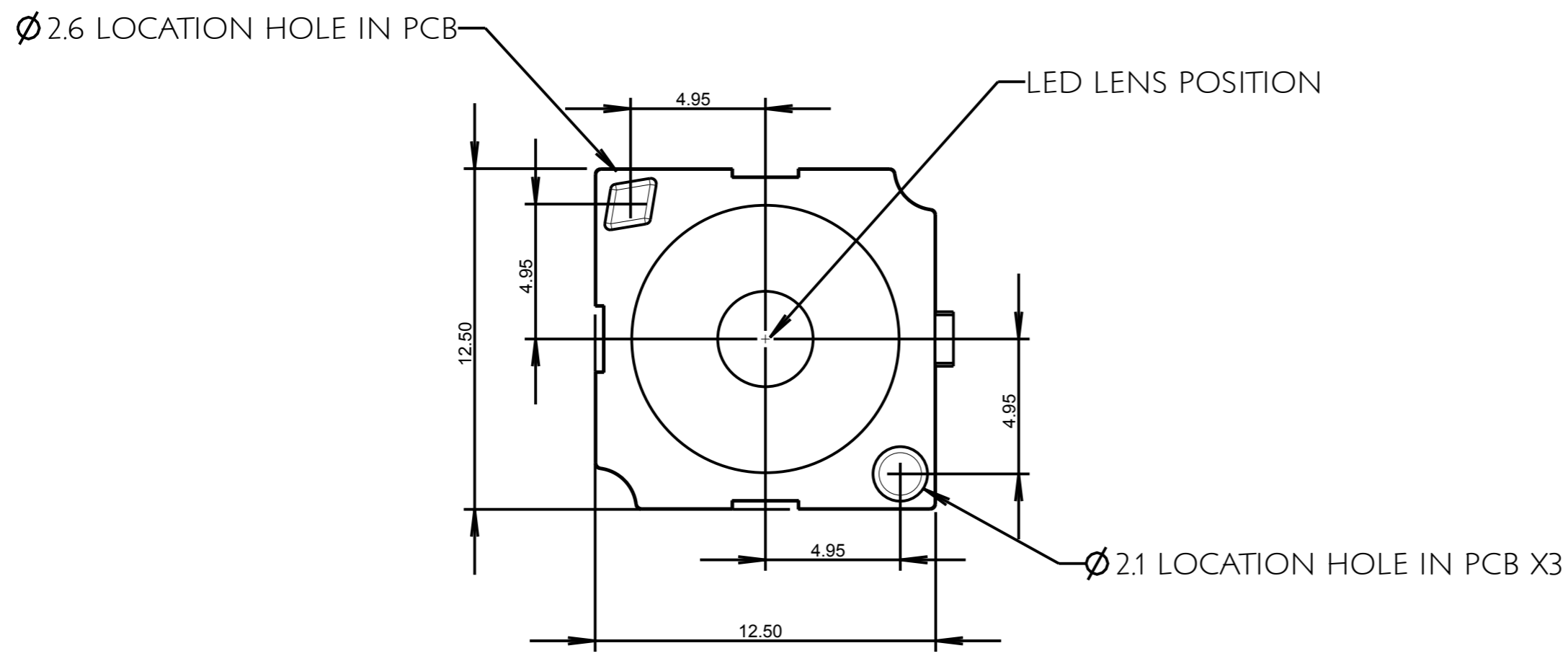
SHEET

2 OF 3



©2011 CTP-COIL  
ALL DIMENSIONS IN mm

## PCB GLUE PAD AND ALIGNMENT HOLE LAYOUT DIMENSIONS



FROSTED FINISH	CARCLO PART No
NARROW FROSTED	10771
MEDIUM FROSTED	10772

ISS.	DATE	E.C.N.	DESCRIPTION
1	18-Aug-10		FIRST ISSUE
2	23-Mar-11	03/11/1294	ADD RECESS & DIM
3	17-Nov-11	11/11/1314	CHANGE 2.0MM PEGS HEIGHT TO 0.8mm

  
 technical plastics  
**CARCLO TECHNICAL PLASTICS (SLOUGH)**  
 103 BUCKINGHAM AVE, SLOUGH  
 SL1 4PF, ENGLAND  
 TEL: +44 1753 575011 FAX: +44 1753 811359  
 email: design@carclo-optics.com

GENERAL TOLERANCES (UNLESS STATED)

LINEAR	ANGULAR
X +/- 0.25	X +/- 1°
X.X +/- 0.1	X.X +/- 0.5°
X.XX +/- 0.05	X.XX +/- 0.1°

CUSTOMER  
**CARCLO**

TITLE  
**10mm IP66 NARROW & MEDIUM FROSTED OPTICS**

DRAWN BB DATE 18-Aug-10

CHK'D MH DATE 29-Nov-11

APP'D PW DATE 29-Nov-11

SCALE 5:1 CARCLO PART No. see table

SIZE A3 CARCLO DRG. No. 60596 SHEET 3 OF 3

## **X-ON Electronics**

Largest Supplier of Electrical and Electronic Components

*Click to view similar products for [carclo](#) manufacturer:*

Other Similar products are found below :

[47.313.5001.80](#) [10392](#) [12927](#) [10003/15](#) [10731](#) [12531](#) [10208](#) [10508](#) [10406](#) [10398](#) [12954](#) [12086](#) [12781](#) [10499](#) [12085](#) [12765](#) [12796](#) [10431](#)  
[10049](#) [10743](#) [10374](#) [12079](#) [10124](#) [12083](#) [10745](#) [12684](#) [10964](#) [47.313.5101.80](#) [12568](#) [10200](#) [10773](#) [12667](#) [60038](#) [10756](#) [10209](#) [10211](#)  
[47.313.2401.80](#) [10736](#) [10758](#) [10195](#) [12685](#) [12532](#) [10772](#) [10204](#) [10108](#) [10003/25](#) [10403](#) [10733](#) [10960](#) [10395](#)