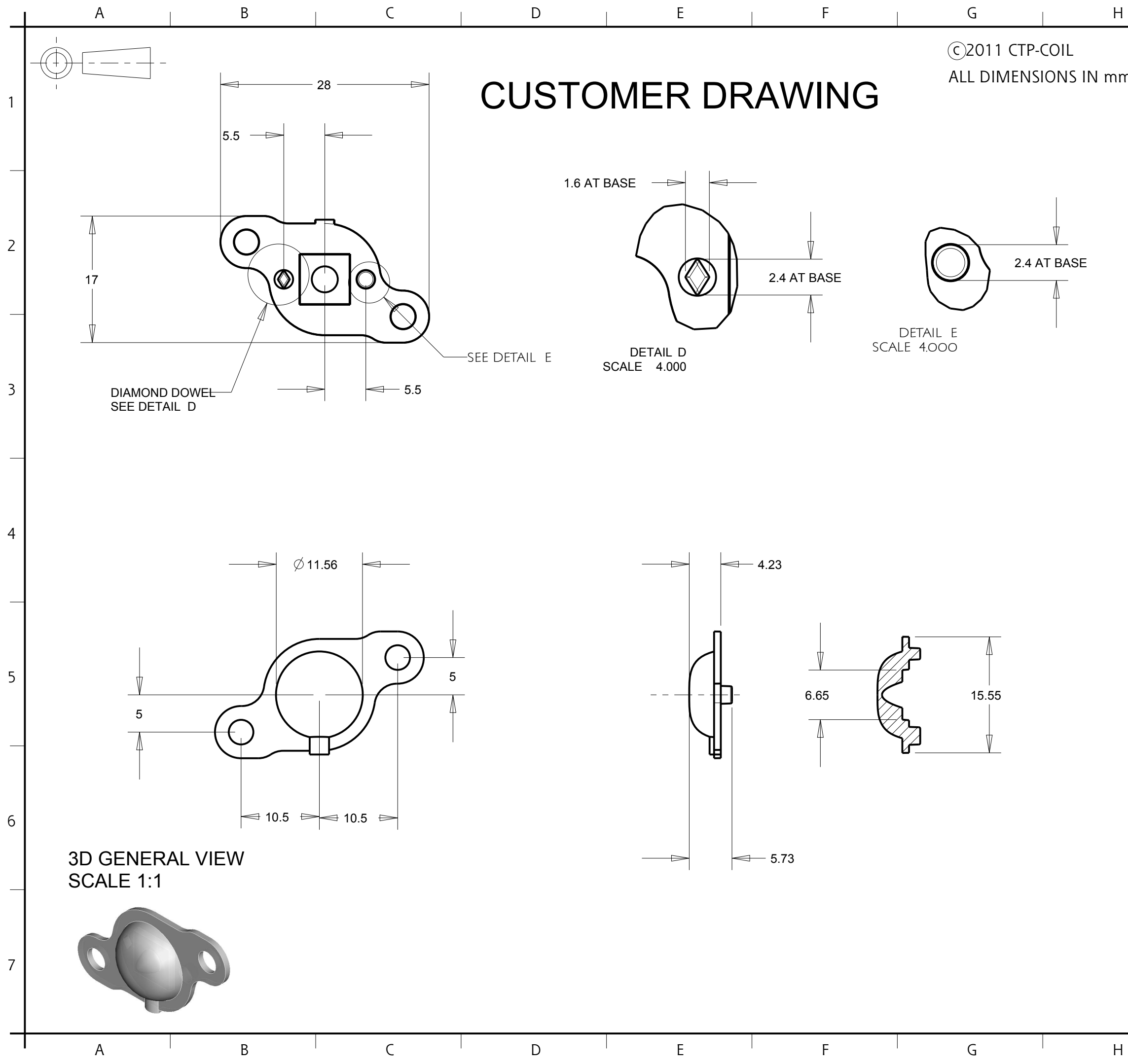


CUSTOMER DRAWING

©2011 CTP-COIL
ALL DIMENSIONS IN mm



ISS.	DATE	E.C.N.	DESCRIPTION
1	08-Feb-10		FIRST ISSUE
2	10-Feb-10	02/10/1262	Added square recess dim & Change peg position
3	30-Jun-10	06/10/1276	Added updated aspheric coeff Parameters of in & out Lens
3A	14-Sept-11	09/11/1308	Gate tolerance added



CTP-COIL
111 BUCKINGHAM AVE, SLOUGH
SL1 4PF, ENGLAND
TEL: +44 1753 575011 FAX: +44 1753 811359
email: design@coil.co.uk

GENERAL TOLERANCES (UNLESS STATED)

LINEAR	ANGULAR
X +/- 0.25	X +/- 1°
X.X +/- 0.1	X.X +/- 0.5°
X.XX +/- 0.05	X.XX +/- 0.1°

CUSTOMER
Carclo

TITLE
Hybrid StreetLight Lens

DRAWN PT DATE 04-May-10

CHK'D MB DATE 20-Sep-11

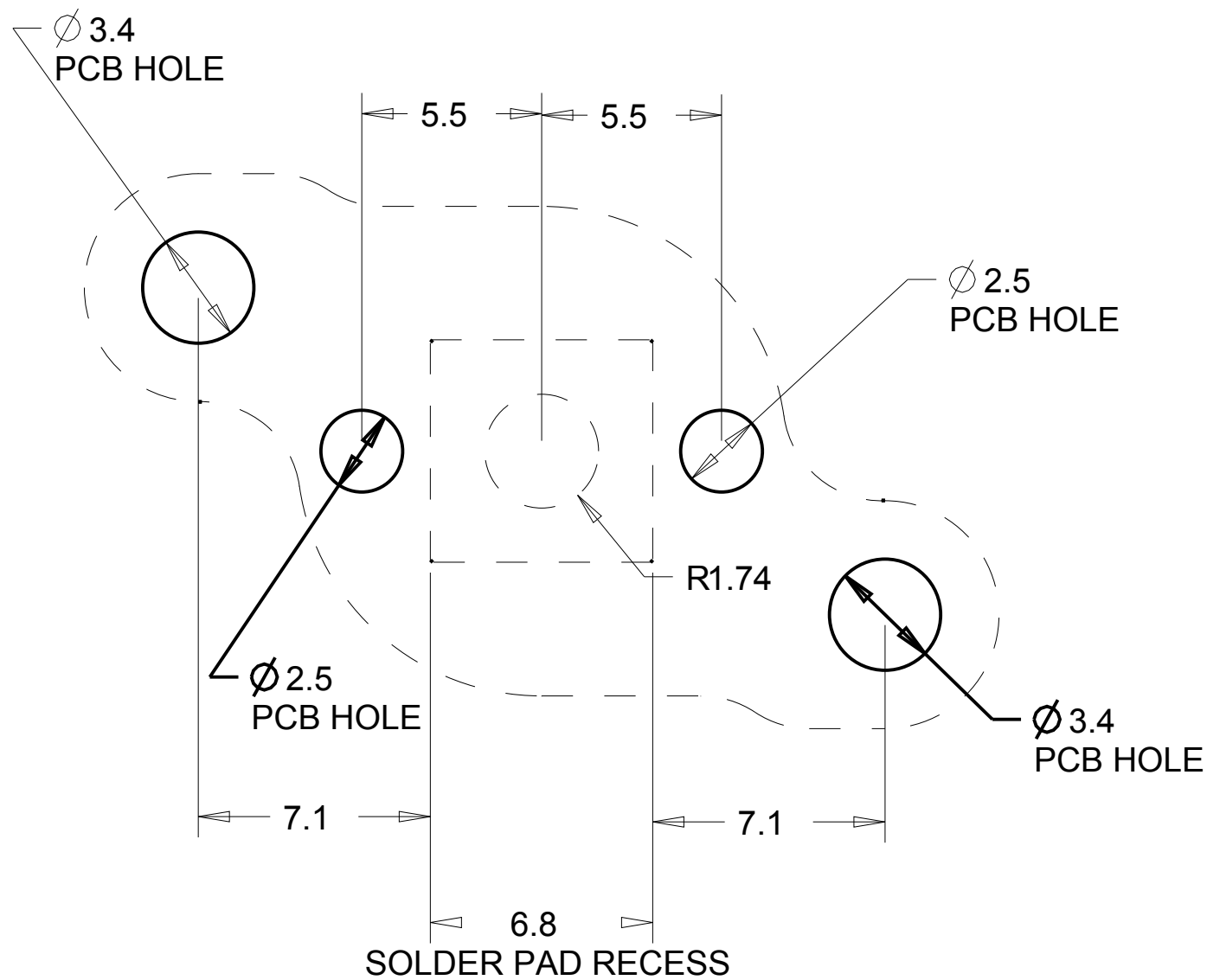
APP'D BB DATE 20-Sep-11

SCALE 2.000 COIL PART No. 10785

SIZE A3 COIL DRG. No. 60618 SHEET 2 OF 3

PCB LAYOUT

©2011 CTP-COIL
ALL DIMENSIONS IN mm



ISS.	DATE	E.C.N.	DESCRIPTION
1	08-Feb-10		FIRST ISSUE
2	10-Feb-10	02/10/1262	Added square recess dim & Change peg position
3	30-Jun-10	06/10/1276	Added updated aspheric coeff Parameters of in & out Lens
3A	14-Sept-11	09/11/1308	Gate tolerance added



CTP-COIL
111 BUCKINGHAM AVE, SLOUGH
SL1 4PF, ENGLAND
TEL: +44 1753 575011 FAX: +44 1753 811359
email: design@coil.co.uk

GENERAL TOLERANCES (UNLESS STATED)

LINEAR	ANGULAR
X +/- 0.25	X +/- 1°
X.X +/- 0.1	X.X +/- 0.5°
X.XX +/- 0.05	X.XX +/- 0.1°

CUSTOMER

Carclo

TITLE

hybrid Streetlight PCB - Layout

DRAWN

DATE

PT 04-May-10

CHK'D

DATE

MB 20-Sep-11

APP'D

DATE

BB 20-Sep-11

SCALE

5.000

COIL PART No.

10785

SIZE

A3

COIL DRG. No.

60618

SHEET

3 OF 3

X-ON Electronics

Largest Supplier of Electrical and Electronic Components

Click to view similar products for [LED Lighting Lenses Assemblies](#) category:

Click to view products by [Carelo](#) manufacturer:

Other Similar products are found below :

[FCN12592_LE1-D-COP](#) [CA11362_IRIS](#) [CA16127_OLGA-S](#) [CP16107_CARMEN-50-S-C](#) [CS15763_STRADA-2X2MX-8-VSM](#)
[C17171_DAISSY-8X1-SHD-MATT](#) [C17172_DAISSY-8X1-SHD-MATT-WHT](#) [C17173_DAISSY-4X1-WW-US](#) [C17341_DAISSY-4X1-WW-US-](#)
[D](#) [CS15759_HB-2X2MX-8-W](#) [CS15769_STRADA-2X2MX-8-T2-S](#) [CA16435_LXP2-SS-WAS](#) [CS13756_STRADA-IP-2X6-DWC-PC](#)
[CN16210_GABRIELLA-MIDI-W](#) [CP17138_CARMEN-M2-C-WHT](#) [CP17137_CARMEN-M2-C](#) [CA16015_STRADA-SQ-SCL](#)
[C16989_DAISSY-7X1-W2](#) [C17225_DAISSY-7X1-SHD-WHT-MATT](#) [C17296_ILONA-ZOOM-SUB](#) [FP15752_STRADA-2X2MXS-T3](#)
[C16590_DAISSY-4X1-SHD](#) [FP16562_LISA3-WWW-PIN](#) [CX15819_GABRIELLA-45-W](#) [C16870_DAISSY-7X1-WW](#) [CP12939_LARISA-RS-](#)
[CLIP16](#) [C14636_XTM-PF-ADAPTER](#) [CA14506_G2-LXP2-RS2](#) [CA14508_G2-LXP2-D](#) [FCP13895_SEANNA-A](#) [FN14637_OLIVIA-S](#)
[CP12943_LARISA-O-CLIP16](#) [FP11124_LISA2-O-PIN](#) [CP10444_LISA-SS](#) [CS14597_HB-IP-2X6-O](#) [CP14995_FLORENTINA-HLD-O](#)
[CA16128_OLGA-M](#) [CP14994_FLORENTINA-HLD-M](#) [CP15775_CARMEN-M-C](#) [CS15158_STRADA-IP-2X6-T4-B](#) [CS15363_STRADA-](#)
[IP-2X6-T2-B](#) [CS15751_STRADA-2X2MX-8-DWC](#) [CS15886_STRADA-IP-2X6-T2-B-90](#) [CS16323_STRADELLA-IP-28-HB-M](#)
[FN14976_STELLA-DWC2](#) [FN15264_STELLA-HB-WWW](#) [FN15966_RONDA-WWW-C](#) [FN15971_RONDA-WAS-C](#) [FP15073_ZORYA-](#)
[SC-B](#) [CA15584_ZORYA-MINI-TAPE](#)