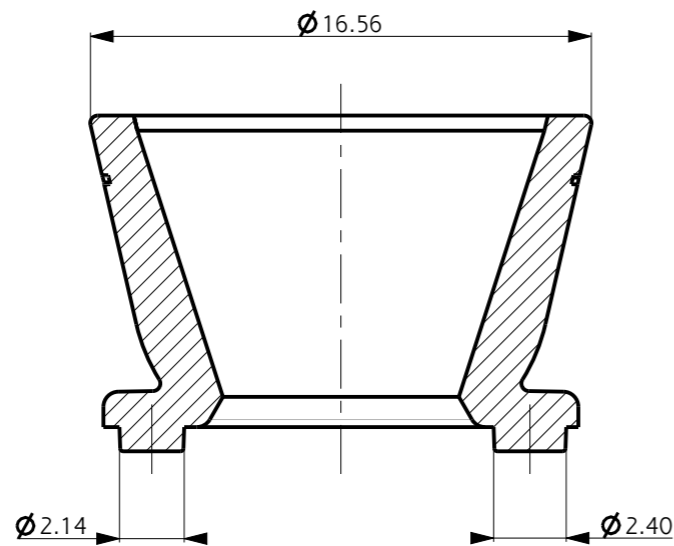
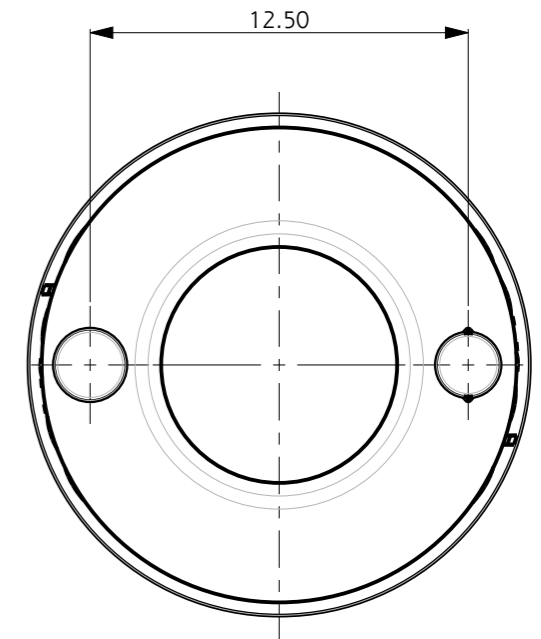
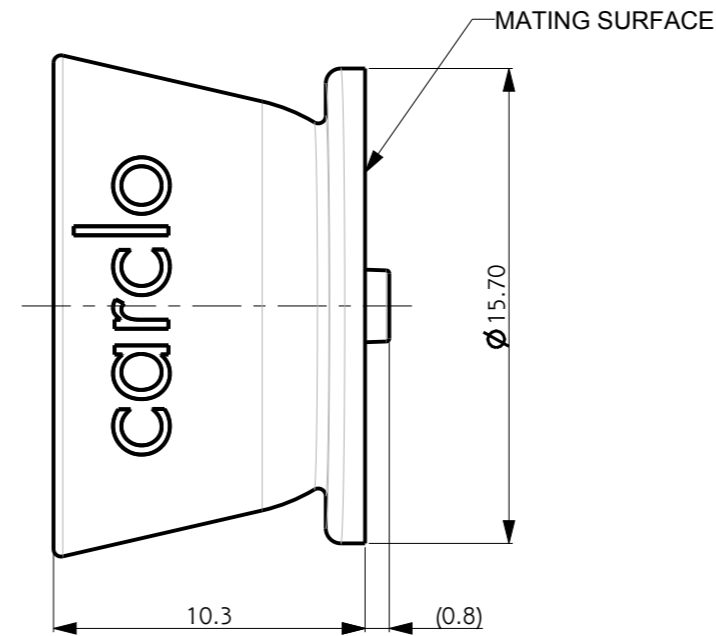
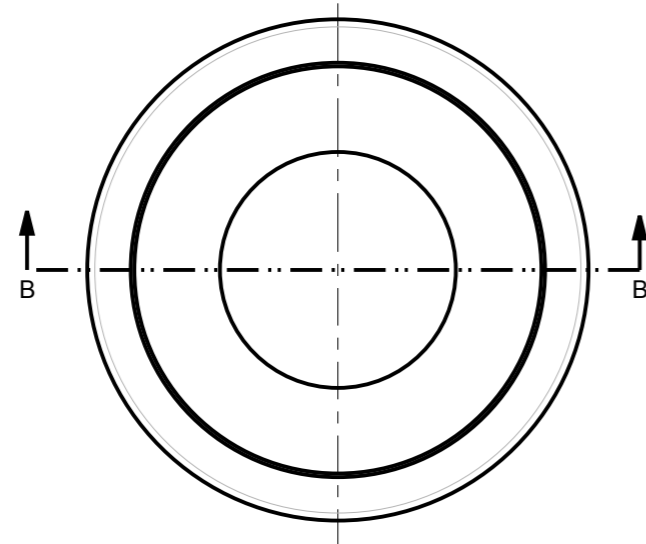




SCALE 1:1

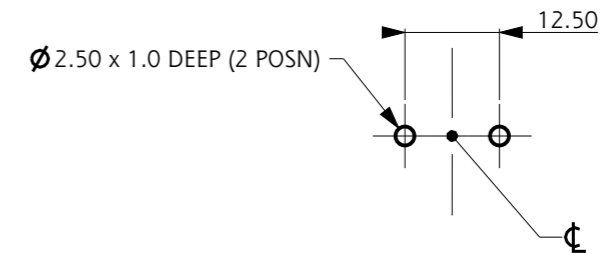
CUSTOMER DRAWING SHEET 2 ONLY

| REV. | DATE | D.C.N. No | DESCRIPTION |
|------|----------|-------------|---|
| 1 | 13/01/12 | | FIRST ISSUE |
| 1A | 24/07/12 | 07/12/1341 | ADDED SUBSTRATE TABLE AND TIDIED UP DRAWING |
| 1B | 14/01/16 | 1450 / 1458 | TOLERANCES TO DIN16742:TG5. REDIMENSIONED FOR INSPECTION. ALT MTL ADDED. P.SUTTON |



SECTION B-B

PCB SAMPLE LAYOUT
STANDARD THICKNESS 1.5mm
DESIGNED FOR 1.6mm
TO INCLUDE COATING




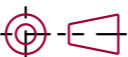
SCALE 1:1

NOTES:

- 1 - MATERIAL: POLYCARBONATE
- 2 - FINISH: COMMERCIAL POLISH FOR ALL NON OPTICAL SURFACES
- 3 - OVERALL PART THICKNESS = 1.4mm
- 4 - COLOUR = CARCLO GREY / ALUMINIUM COATED
- 5 - GENERAL DRAFT 1°
- 6 - SIMPLIFIED GEOMETRY SHOWN. NOT SUITABLE FOR OPTICAL RAYTRACE

SCALE 4:1

Sheet 2 of 2

| | | | | | |
|--|--|----------|-------------------------------|---------------------------------|----------------|
|  technical plastics 103 BUCKINGHAM AVE, SLOUGH, BERKSHIRE, SL1 4PF, UK Tel: +44 1753 610800 Fax: +44 1753 811359 design@carclo-optics.com www.carclo-optics.com | Title | | HIGHBAY REFLECTOR 80 DEG GLUE | | |
| | Customer | | CARCLO | | |
| Drawn by | FP | Material | SEE NOTE | Scale | AS SPEC. |
| THIRD ANGLE PROJECTION | GENERAL TOLERANCES UNLESS OTHERWISE STATED DIN16742:TG5 | | DIMENSIONS IN mm | | Format Size A3 |
|  | CONFIDENTIAL: UNAUTHORISED COPYING, DISCUSSION & DISTRIBUTION PROHIBITED | | CAD File | 12527_70026_REV-1B_REFL_80_GLUE | |
| | Drw. N° | 70026 | Part N° | 12527 | |

X-ON Electronics

Largest Supplier of Electrical and Electronic Components

Click to view similar products for [LED Lighting Reflectors](#) category:

Click to view products by [Carelo](#) manufacturer:

Other Similar products are found below :

[LL04CR-CFN35155L02](#) [LL04CR-CFN60155L02](#) [LL04CR-CGM85135L02](#) [F13185_GERI-RZ](#) [10604](#) [LL01SP-ATH15R49](#) [10170](#) [12527](#)
[12531](#) [12568](#) [C13253_TINA2-R-CLIP16](#) [CA14591_BROOKE-XW](#) [CN12706_LENINA-S](#) [F15560_MIRELLA-G2-W](#) [CA11525_LAURA-R-](#)
[W](#) [12796](#) [LMH020-REFL-0000-0000042](#) [LMH020-REFL-0000-0000062](#) [LMH020-REFL-0000-0000064](#) [LMH020-REFL-0000-0000082](#)
[C12606_LENINA-DL](#) [C11347_REGINA](#) [C11394_TYRA-S](#) [C11396_TYRA-W](#) [C11508_BROOKE-W](#) [C11552_BARBARA-S](#)
[C11553_BARBARA-W](#) [C11862_MINNIE-W](#) [C11979_LENA-S](#) [C11980_LENA-W](#) [C11996_LENA-LENS](#) [C12083_BROOKE-SCR-M](#)
[C12097_MINNIE-WWW](#) [C12154_LENA-M](#) [C12469_LISA2-R-PIN](#) [C12476_MIRELLA-50-S](#) [C12477_MIRELLA-50-M](#)
[C12480_MIRELLA-50-S-PIN](#) [C12516_RITA-WAS](#) [C12597_LENINA-S](#) [C12599_LENINA-W](#) [C12948_LENA-WAS](#) [C12958_LENINA-XW](#)
[C13085_MIRELLA-50-S-PF](#) [C13087_MIRELLA-50-W-PF](#) [C13101_LENA-X-WAS](#) [C13555_BRIDGET-W-UNI](#) [C13556_BRIDGET-M-](#)
[UNI](#) [C13557_BRIDGET-S-UNI](#) [C13806_MIRELLA-XW-PF](#)