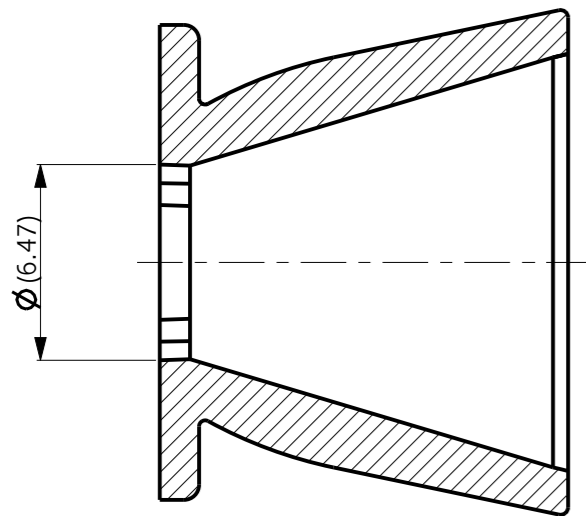




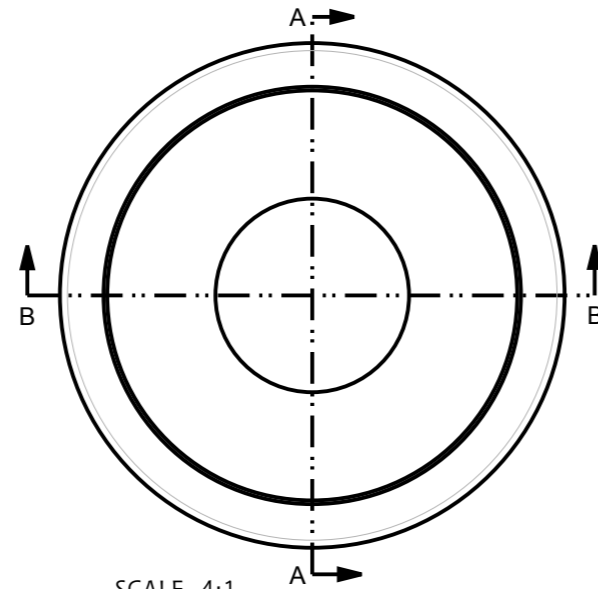
SCALE 1:1

# CUSTOMER DRAWING SHEET 2 ONLY

REV.	DATE	D.C.N. No	DESCRIPTION
1	13/01/12		FIRST ISSUE
2	21/06/12	06/12/1 337	CHANGED SURFACE TEXTURE FINISH FROM VDI 30-33 TO VDI 21-24
2A	15/08/12	07/12/1 342	ADDED SUBSTRATE TABLE AND TIDIED UP DRAWING
2B	19/01/16	1450 / 1458	TOLS UPDATED TO DIN16742:TG5. REDIMENSIONED FOR INSPECTION. ALT MTL ADDED. P.SUTTON

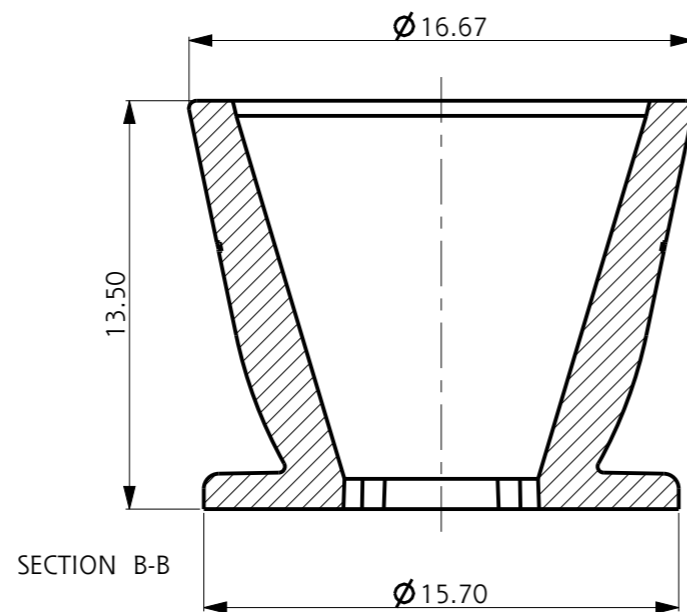
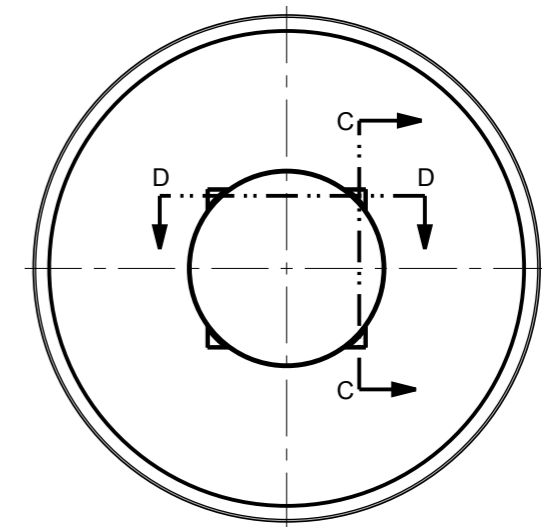
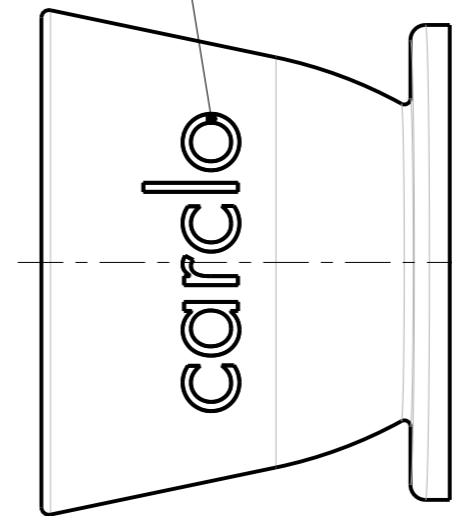


SECTION A-A

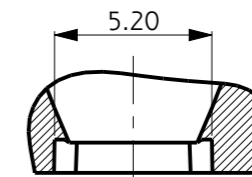


SCALE 4:1

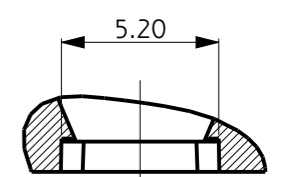
CARCLO LABEL ENGRAVED INTO THE PLASTIC 0.2mm DEEP 2 OFF (1 PER SIDE)



SECTION B-B



SECTION C-C  
SCALE 4:1



SECTION D-D  
SCALE 4:1

NOTES:

- 1 - MATERIAL: POLYCARBONATE
- 2 - FINISH: COMMERCIAL POLISH FOR ALL NON OPTICAL SURFACES
- 3 - OVERALL PART THICKNESS = 1.4mm
- 4 - COLOUR CARCLO GREY
- 5 - GENERAL DRAFT 1°
- 6 - SIMPLIFIED GEOMETRY SHOWN. NOT SUITABLE FOR OPTICAL RAYTRACE

<p>technical plastics 103 BUCKINGHAM AVE, SLOUGH, BERKSHIRE, SL1 4PF, UK Tel: +44 1753 610800 Fax: +44 1753 811359 design@carclo-optics.com www.carclo-optics.com</p>	Title		ARCHIMEDES MEDIUM BEAM HIGHBAY REFLECTOR - SELF LOCATING			
	Customer		CARCLO			
<p>THIRD ANGLE PROJECTION</p>	Drawn by	FP	Material	SEE NOTE	Scale	AS SPEC.
	GENERAL TOLERANCES UNLESS OTHERWISE STATED DIN16742:TG5		DIMENSIONS IN mm		Format Size	A3
<p>CONFIDENTIAL: UNAUTHORISED COPYING, DISCUSSION &amp; DISTRIBUTION PROHIBITED</p>		CAD File	12532-70031_REV-2B_ARCH60SL			
		Drw. N°	70031	Part N°	12532	

## X-ON Electronics

Largest Supplier of Electrical and Electronic Components

*Click to view similar products for [LED Lighting Reflectors](#) category:*

*Click to view products by [Carelo](#) manufacturer:*

Other Similar products are found below :

[LL04CR-CFN35155L02](#) [LL04CR-CFN60155L02](#) [LL04CR-CGM85135L02](#) [F13185\\_GERI-RZ](#) [10604](#) [LL01SP-ATH15R49](#) [10170](#) [12527](#)  
[12531](#) [12568](#) [C13253\\_TINA2-R-CLIP16](#) [CA14591\\_BROOKE-XW](#) [F15560\\_MIRELLA-G2-W](#) [CA11525\\_LAURA-R-W](#) [12796](#) [LMH020-REFL-0000-0000042](#) [LMH020-REFL-0000-0000062](#) [LMH020-REFL-0000-0000064](#) [LMH020-REFL-0000-0000082](#) [C12606\\_LENINA-DL](#)  
[C11347\\_REGINA](#) [C11394\\_TYRA-S](#) [C11396\\_TYRA-W](#) [C11508\\_BROOKE-W](#) [C11552\\_BARBARA-S](#) [C11553\\_BARBARA-W](#)  
[C11862\\_MINNIE-W](#) [C11980\\_LENA-W](#) [C11996\\_LENA-LENS](#) [C12083\\_BROOKE-SCR-M](#) [C12097\\_MINNIE-WWW](#) [C12154\\_LENA-M](#)  
[C12469\\_LISA2-R-PIN](#) [C12476\\_MIRELLA-50-S](#) [C12477\\_MIRELLA-50-M](#) [C12480\\_MIRELLA-50-S-PIN](#) [C12516\\_RITA-WAS](#)  
[C12597\\_LENINA-S](#) [C12599\\_LENINA-W](#) [C12948\\_LENA-WAS](#) [C12958\\_LENINA-XW](#) [C13085\\_MIRELLA-50-S-PF](#) [C13087\\_MIRELLA-50-W-PF](#) [C13101\\_LENA-X-WAS](#) [C13555\\_BRIDGET-W-UNI](#) [C13556\\_BRIDGET-M-UNI](#) [C13557\\_BRIDGET-S-UNI](#) [C13806\\_MIRELLA-XW-PF](#) [C14346\\_ANGELETTE-WAS](#) [C17099\\_ALISE-50-DL](#)