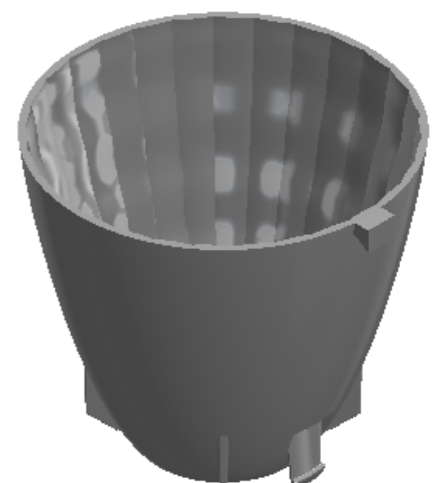
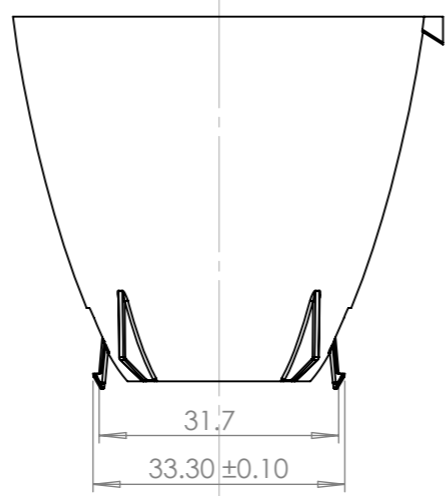
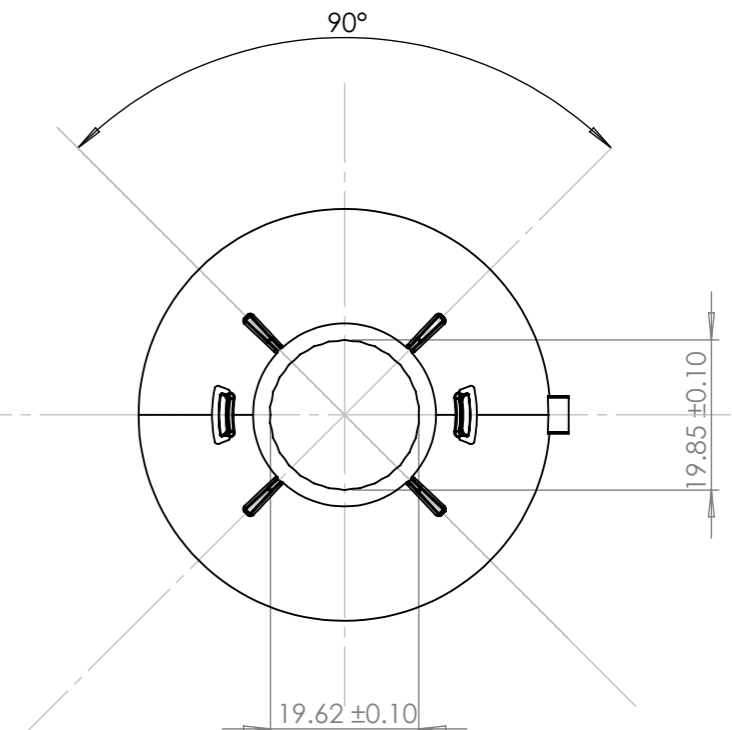
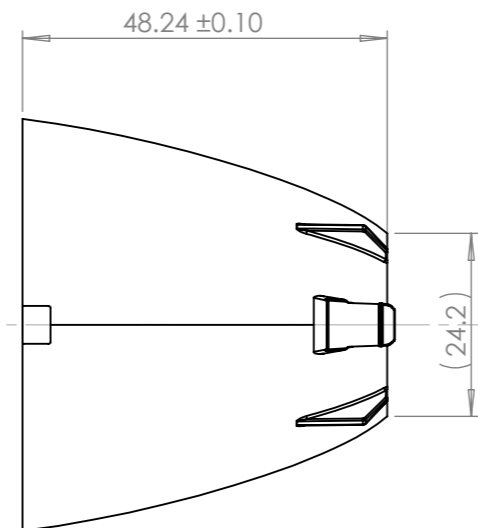
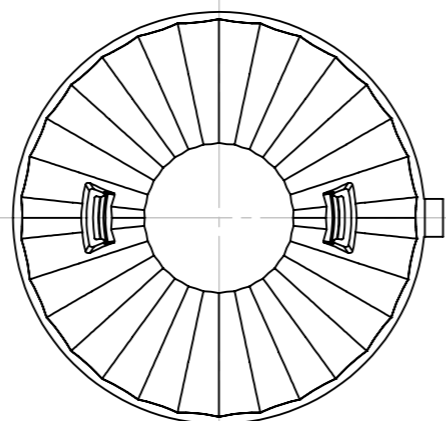
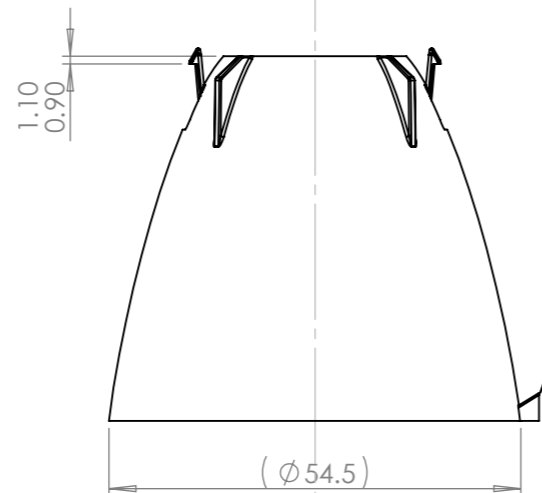


# CUSTOMER DRAWING

REVISIONS					
REV.	DATE	D.C.N NUMBER	DESCRIPTION	CHECKED BY DATE	APPROVED BY DATE
1	24/08/2012		FIRST ISSUE	MH 10/09/12	PW 21/09/12
2	05/10/2012	10/12/1349	Changed clip thickness and position for better fit Refer to balloon 2	MH 09/10/12	DG 09/10/12



- NOTES:
- 1 - MATERIAL: POLYCARBONATE
  - 2 - FINISH: COMMERCIAL POLISH FOR ALL NON OPTICAL SURFACES. OPTICAL SURFACES ARE OPTICALLY POLISHED
  - 3 - OVERALL PART THICKNESS = SEE 3D FILE
  - 4 - COLOUR CARCLO GREY/ ALUMINIUM COATED
  - 5 - GENERAL DRAFT 2°
  - 6 - SIMPLIFIED GEOMETRY SHOWN  
- NOT SUITABLE FOR RAY TRACING

SCALE 1:1

SHEET 2 OF 2

		Title		NEWTON 54MM DIAMETER REFLECTOR MEDIUM BEAM ANGLE			
103 Buckingham Avenue SL1 4PF, UK. Tel: +44(0) 01753 575 011 Fax: +44(0) 01753 811 359 sales@carclo-optics.com www.carclo-optics.com		Drawn by	BB	Customer	CARCLO	Scale	AS SPEC
THIRD ANGLE PROJECTION	GENERAL TOLERANCES UNLESS OTHERWISE STATED	CARCLO Optics		DIMENSION IN mm		Format Size	
	LINEAR	CONFIDENTIAL: UNAUTHORISED COPYING, DISCUSSION & DISTRIBUTION PROHIBITED		CAD File	093-12684-70177-54mm-Dia-RFL-MEDIUM-Rev2		
	ANGULAR			Part N°	12684	Drw N°	70177
	0 ± 0.25						
	0.0 ± 0.1						
	0.00 ± 0.05						
	0 ± 1°						
	0.0 ± 0.5°						
	0.00 ± 0.1°						

## X-ON Electronics

Largest Supplier of Electrical and Electronic Components

*Click to view similar products for [LED Lighting Reflectors](#) category:*

*Click to view products by [Carelo](#) manufacturer:*

Other Similar products are found below :

[LL04CR-CFN35155L02](#) [LL04CR-CFN60155L02](#) [LL04CR-CGM85135L02](#) [F13185\\_GERI-RZ](#) [10604](#) [LL01SP-ATH15R49](#) [10170](#) [12527](#)  
[12531](#) [12568](#) [C13253\\_TINA2-R-CLIP16](#) [CA14591\\_BROOKE-XW](#) [F15560\\_MIRELLA-G2-W](#) [CA11525\\_LAURA-R-W](#) [12796](#) [LMH020-REFL-0000-0000042](#) [LMH020-REFL-0000-0000062](#) [LMH020-REFL-0000-0000064](#) [LMH020-REFL-0000-0000082](#) [C12606\\_LENINA-DL](#)  
[C11347\\_REGINA](#) [C11394\\_TYRA-S](#) [C11396\\_TYRA-W](#) [C11508\\_BROOKE-W](#) [C11552\\_BARBARA-S](#) [C11553\\_BARBARA-W](#)  
[C11862\\_MINNIE-W](#) [C11980\\_LENA-W](#) [C11996\\_LENA-LENS](#) [C12083\\_BROOKE-SCR-M](#) [C12097\\_MINNIE-WWW](#) [C12154\\_LENA-M](#)  
[C12469\\_LISA2-R-PIN](#) [C12476\\_MIRELLA-50-S](#) [C12477\\_MIRELLA-50-M](#) [C12480\\_MIRELLA-50-S-PIN](#) [C12516\\_RITA-WAS](#)  
[C12597\\_LENINA-S](#) [C12599\\_LENINA-W](#) [C12948\\_LENA-WAS](#) [C12958\\_LENINA-XW](#) [C13085\\_MIRELLA-50-S-PF](#) [C13087\\_MIRELLA-50-W-PF](#) [C13101\\_LENA-X-WAS](#) [C13555\\_BRIDGET-W-UNI](#) [C13556\\_BRIDGET-M-UNI](#) [C13557\\_BRIDGET-S-UNI](#) [C13806\\_MIRELLA-XW-PF](#) [C14346\\_ANGELETTE-WAS](#) [C17099\\_ALISE-50-DL](#)