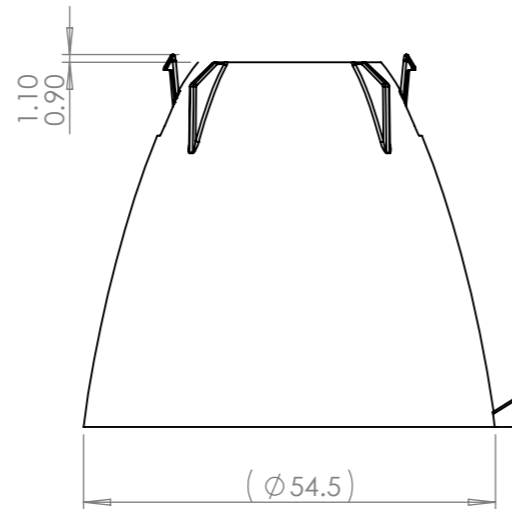
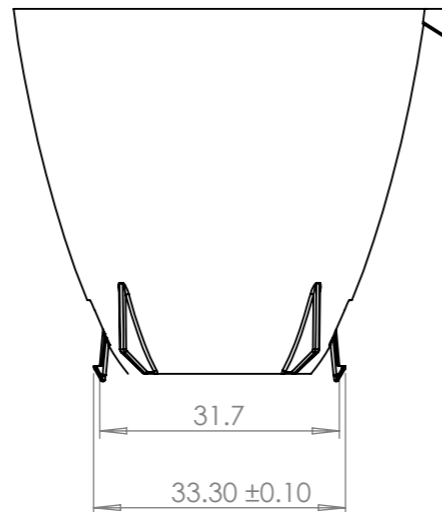
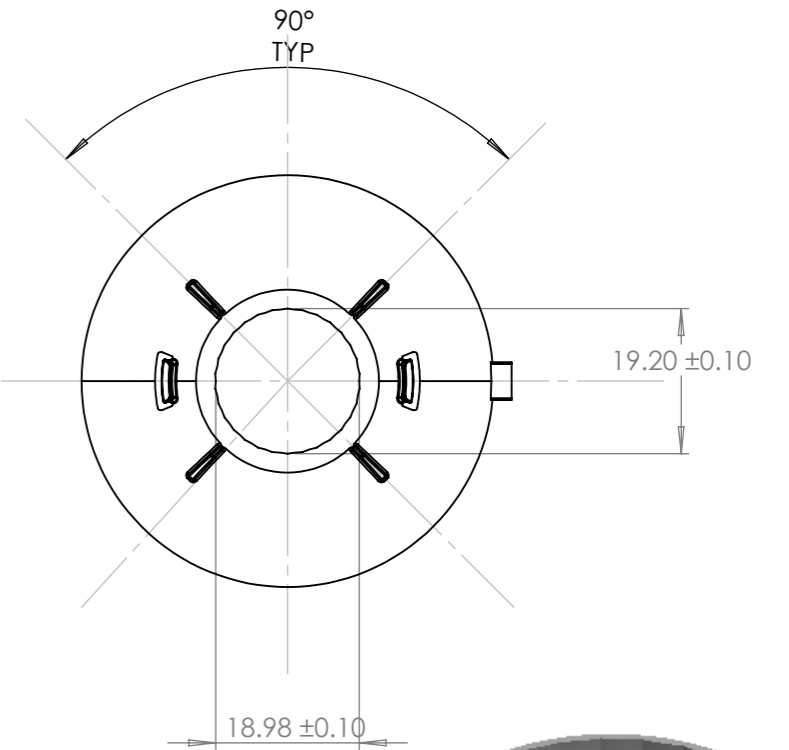
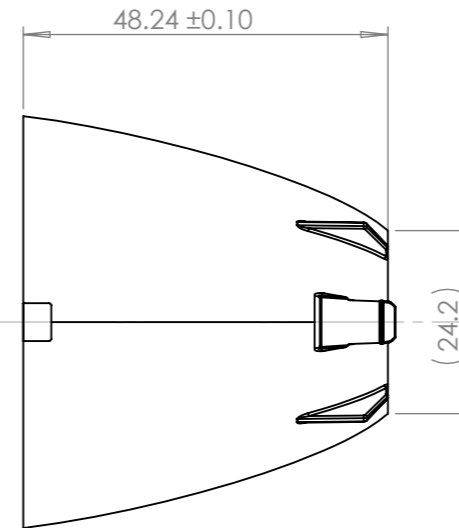
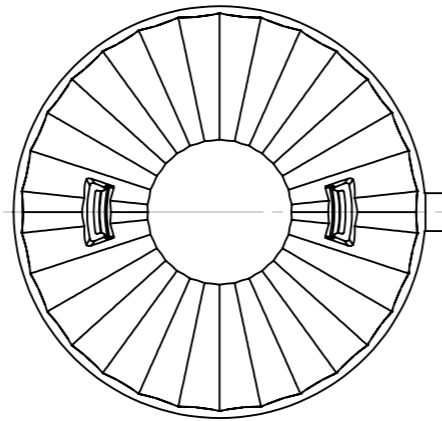


CUSTOMER DRAWING

REVISIONS					
REV.	DATE	D.C.N NUMBER	DESCRIPTION	CHECKED BY DATE	APPROVED BY DATE
1	24/08/2012		FIRST ISSUE	MH 10/09/12	PW 21/09/12
2	05/10/2012	10/12/1349	Changed clip thickness and position for better fit Refer to balloon 2	MH 09/10/12	DG 09/10/12



GATE LOCATION
DEGATED FLUSH TO REFLECTOR DIAMETER



NOTES:

- 1 - MATERIAL: POLYCARBONATE
- 2 - FINISH: COMMERCIAL POLISH FOR ALL NON OPTICAL SURFACES. OPTICAL SURFACES ARE OPTICALLY POLISHED
- 3 - OVERALL PART THICKNESS = SEE 3D FILE
- 4 - COLOUR CARCLO GREY/ ALUMINIUM COATED
- 5 - GENERAL DRAFT 2°
- 6 - SIMPLIFIED GEOMETRY SHOWN
- NOT SUITABLE FOR RAY TRACING

SCALE 1:1

SHEET 2 OF 2

		Title		NEWTON 54MM DIAMETER REFLECTOR WIDE BEAM ANGLE				
103 Buckingham Avenue SL1 4PF, UK. Tel: +44(0) 01753 575 011 Fax: +44(0) 01753 811 359 sales@carclo-optics.com www.carclo-optics.com		Drawn by	BB	Customer	CARCLO		Scale	AS SPEC
THIRD ANGLE PROJECTION	GENERAL TOLERANCES UNLESS OTHERWISE STATED	CARCLO Optics		DIMENSION IN mm		Format Size		A3
	LINEAR	CONFIDENTIAL: UNAUTHORISED COPYING, DISCUSSION & DISTRIBUTION PROHIBITED		CAD File	093-12685-70178-54mm-Dia-RFL-WIDE-Rev2			
	ANGULAR			Part N°	12685	Drw N°	70178	
	0 ± 0.25							
	0.0 ± 0.1							
	0.00 ± 0.05							
	0 ± 1°							
	0.0 ± 0.5°							
	0.00 ± 0.1°							

X-ON Electronics

Largest Supplier of Electrical and Electronic Components

Click to view similar products for [LED Lighting Reflectors](#) category:

Click to view products by [Carelo](#) manufacturer:

Other Similar products are found below :

[LL04CR-CFN35155L02](#) [LL04CR-CFN60155L02](#) [LL04CR-CGM85135L02](#) [F13185_GERI-RZ](#) [10604](#) [LL01SP-ATH15R49](#) [10170](#) [12527](#)
[12531](#) [12568](#) [C13253_TINA2-R-CLIP16](#) [CA14591_BROOKE-XW](#) [CN12706_LENINA-S](#) [F15560_MIRELLA-G2-W](#) [CA11525_LAURA-R-](#)
[W](#) [12796](#) [LMH020-REFL-0000-0000042](#) [LMH020-REFL-0000-0000062](#) [LMH020-REFL-0000-0000064](#) [LMH020-REFL-0000-0000082](#)
[C12606_LENINA-DL](#) [C11347_REGINA](#) [C11394_TYRA-S](#) [C11396_TYRA-W](#) [C11508_BROOKE-W](#) [C11552_BARBARA-S](#)
[C11553_BARBARA-W](#) [C11862_MINNIE-W](#) [C11979_LENA-S](#) [C11980_LENA-W](#) [C11996_LENA-LENS](#) [C12083_BROOKE-SCR-M](#)
[C12097_MINNIE-WWW](#) [C12154_LENA-M](#) [C12469_LISA2-R-PIN](#) [C12476_MIRELLA-50-S](#) [C12477_MIRELLA-50-M](#)
[C12480_MIRELLA-50-S-PIN](#) [C12516_RITA-WAS](#) [C12597_LENINA-S](#) [C12599_LENINA-W](#) [C12948_LENA-WAS](#) [C12958_LENINA-XW](#)
[C13085_MIRELLA-50-S-PF](#) [C13087_MIRELLA-50-W-PF](#) [C13101_LENA-X-WAS](#) [C13555_BRIDGET-W-UNI](#) [C13556_BRIDGET-M-](#)
[UNI](#) [C13557_BRIDGET-S-UNI](#) [C13806_MIRELLA-XW-PF](#)