

110-Series Heavy Action Toggle Switches



The 110-Series is a compactly designed, versatile metal construction toggle switch which is appropriate for a variety of uses. Features include single or double pole options, maintained or momentary construction with termination choices including solder lug end or bottom, wire leads and .250 tab terminals. The quick make/quick break contact mechanism makes the switch suitable for high voltage (125-250 volt) applications. This switch is popular within the Small Appliance, Floor Maintenance, and most low current AC/DC market segments.

Dielectric Strength

UL/CSA: 1000 - live to dead metal parts & opposite polarity

Electrical Life

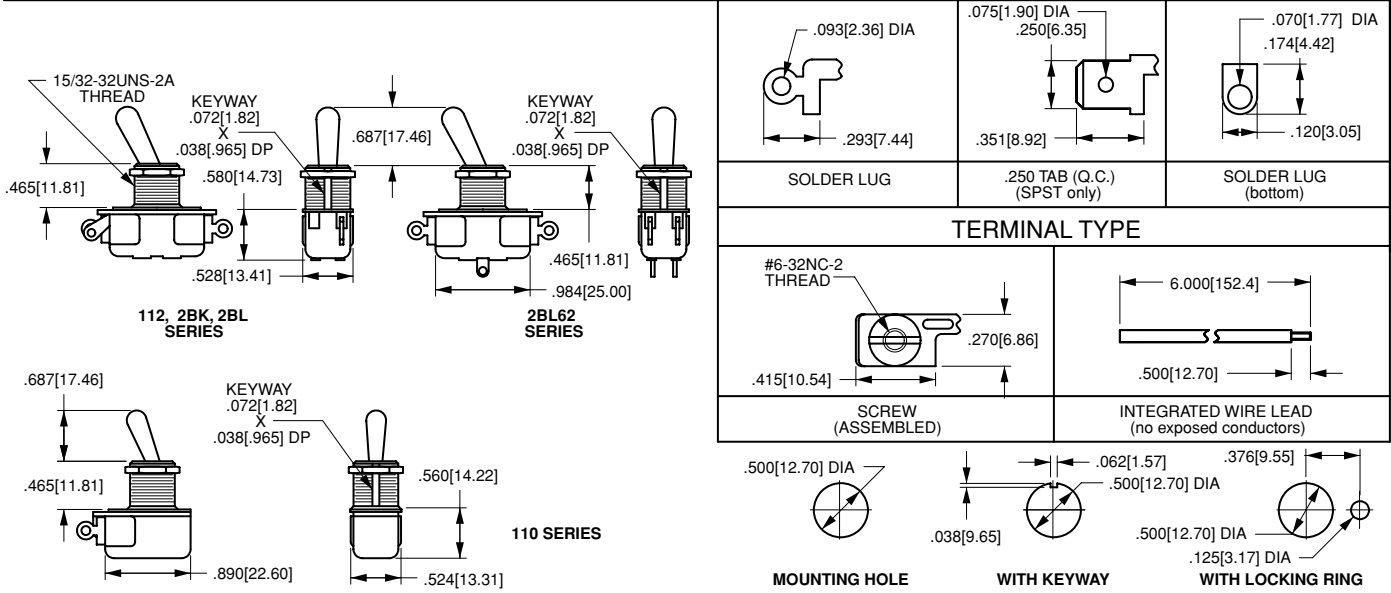
25,000 cycles

Mechanical Life

50,000 cycles

Operating Temperature

0°F to 150°F (-17.8°C to +65.6°C)



1 BASE PART NUMBER: SERIES/CIRCUITRY ¹ /RATING/TERMINATION ²				
	solder lug (end)	solder lug (bottom)	screw terminals	wire leads
3A 250V, 6A 125V, AC/DC				
Single Pole				
ON-NONE-OFF	110	110-B	110-S	111-16
OFF-NONE-(ON)	110-M-NO	110-BM-NO	110-SM-NO	111-16M-NO
ON-NONE-(OFF)	110-M-NC	110-BM-NC	110-SM-NC	111-16M-NC
Double Pole				
ON-NONE-OFF	2BK62	-	-	2BK65
ON-NONE-ON	2BL62	-	-	2BL65
1A 250V, 3A 125V, AC/DC				
Single Pole				
ON-NONE-ON	112	-	-	112-A
ON-NONE-(ON)	112-M	-	-	112-M-A
Double Pole				
ON-NONE-OFF	216	-	-	216A
OFF-NONE-(ON)	216-M-NO	-	-	216A-M-ANO
ON-NONE-(OFF)	216-M-NC	-	-	216A-M-ANC
ON-NONE-ON	316	316-B	-	-
ON-NONE-(ON)	316-M	316-BM	-	-
2 circuit				
1 ON - 1 OFF	516	516-B	-	516-A
1 (ON) - 1 (OFF)	516-M	516-BM	-	516-AM
6A 120VAC				
Single Pole				
ON-NONE-ON	2BB62	-	-	2BB65
5A 250V, 10A 125V, 1/4HP, 125V				
Single Pole				
ON-NONE-OFF	160H	160H-B	160H-S	160H-A

2 ACTUATOR STYLE			
BAT STYLE TOGGLE			
unsealed	sealed	toggle length	bushing length
52	57	0.375	0.343
63	68	0.500	0.465
73	78	0.687	0.465
BALL STYLE TOGGLE			
unsealed	sealed	toggle length	bushing length
21	-	0.375	0.250
22	-	0.375	0.343
25	-	0.375	0.875

NOTES
 1 Momentary function only available with 73 toggles.
 2 160H and 110-Series are available with .250 tab terminals. Add suffix /TABS to end of part number. ex. 110-73/TABS
 () Indicates momentary function.

X-ON Electronics

Largest Supplier of Electrical and Electronic Components

Click to view similar products for [Toggle Switches](#) category:

Click to view products by [Carling](#) manufacturer:

Other Similar products are found below :

[A19HV](#) [8A1-C-222](#) [60012L](#) [6006L](#) [6663](#) [7101MD9V30GE](#) [7101SPDV30BE](#) [7103SDV30BE](#) [7105D](#) [7108P3YAV2BE](#) [71YY50282](#)
[7201MD9AVBE](#) [7301K38](#) [7306K36](#) [7310K36](#) [7314K36](#) [7506K4](#) [7592K6](#) [7691K14](#) [7700K1](#) [8396K108](#) [8824K14](#) [8828K13](#) [G2VX](#) [G3VX](#)
[PS83-121G](#) [A101MD9AB04](#) [A101SD9AB04](#) [A101SDCQ04](#) [A103SD9AQ04](#) [A107TZB04](#) [A123P32YZQ](#) [A123S1YZG](#) [A127S1YCQ](#) [1-](#)
[1825192-0](#) [A131S1YZQ](#) [A201SCWZB04](#) [A207SYCB04](#) [A208J61ZQ0004](#) [A221K12KAG](#) [A221S1YZQ](#) [A221T1TCQ](#) [A232K12KZQ](#)
[A232M1YCQ](#) [A323S1CWZQ](#) [A423S1CWZG-M8](#) [A423S1YZQ](#) [12149A-3V](#) [12156AX408](#) [12147AGKX679](#)