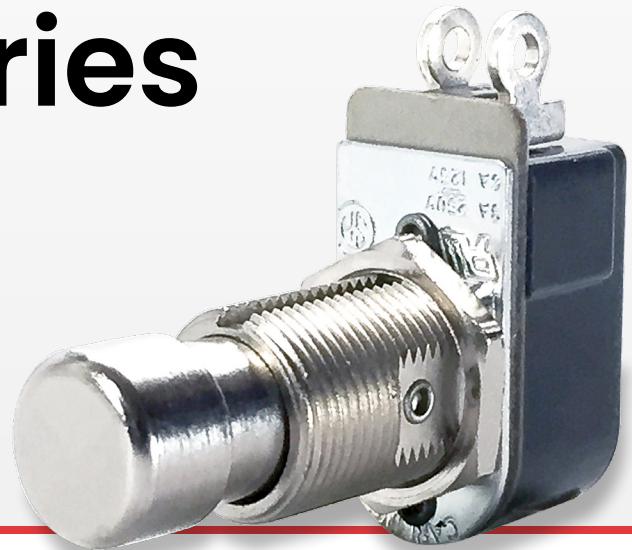


# 110-316P-Series

Pushbutton Switches

[PRODUCT WEBPAGE](#)

*request sample, configure part*



The 110/316P-Series provides a compact yet rugged solution to general purpose switch needs. Alternate action, metal construction and stiff (6-8 lb) actuation force have combined to make this switch a pillar in a variety of markets. This versatile switch is available in maintained and momentary circuits with a variety of termination and rating options.

**1-2**  
Poles

**1-6**  
Amps

**125, 250**  
VAC

**125, 250**  
VDC

## Typical Applications

• Music Industry

• Audio-Visual

• Electronic Road Signs

# Tech Specs

## Dielectric Strength

UL/CSA: 1000V - live to dead  
metal parts & opposite polarity

## Electrical Life

25,000 cycles

## Operating Temperature

32°F to 185°F (0°C to 85°C)

# Ordering Scheme

Sample Part Number

**110-P**

Selection

1

### 1. SERIES

	solder lug (end)	solder lug (bottom)	screw terminals	wire leads
<b>Single Pole</b>				
<b>3A 250V, 6A 125V</b>				
OFF-ON	110-P	110-BP	110-SP	111-16-P
OFF-(ON)	110-PM-OFF	110-PBM-OFF	110-SPM-OFF	111-PM-OFF
ON-(OFF)	110-PM-ON	110-PBM-ON	110-SPM-ON	111-PM-ON
<b>5A 250V, 10A 125V, 1/4 HP 125V</b>				
OFF-ON	160H-P	160H-BP	160H-SP	160H-AP
<b>1A 250V, 3A 125V</b>				
ON-ON	112-P	-	-	112-PA
ON-(ON)	112-PM	-	-	112-PAM
<b>Double Pole</b>				
<b>1A 250V, 3A 125V</b>				
OFF-ON	216-PP	-	-	216-PPA
OFF-(ON)	216-PM-OFF	-	-	216-PAM-OFF
ON-(OFF)	216-PM-ON	-	-	216-PAM-ON
ON-ON	316-PP	316-B-PP	-	316-PPA
ON-(ON)	316-PM	316-B-PM	-	316-PAM
1 ON - 1 OFF (2 circuit)	516-PP	-	-	516-PPA
1 (ON) - 1 (OFF) (2 circuit)	516-PM	-	-	516-PAM

Notes:

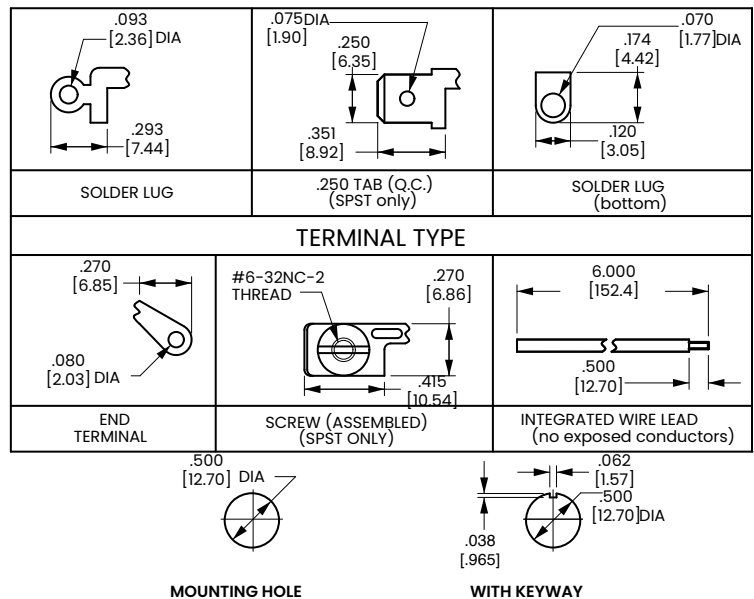
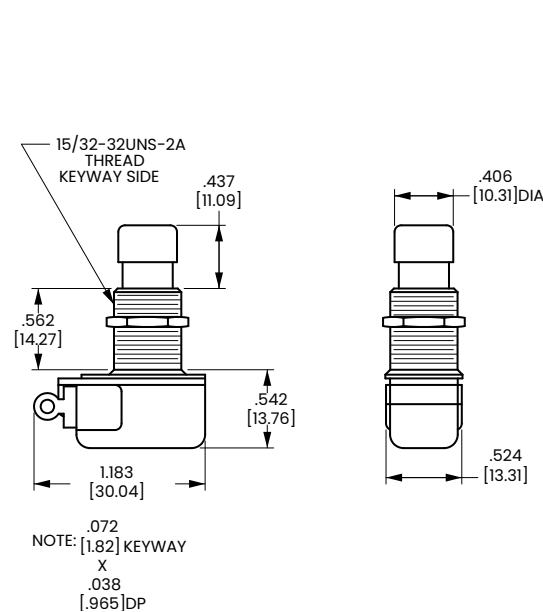
( ) Indicates momentary function.

[Configure Complete Part Number >](#)

[Browse Standard Parts >](#)

# Dimensional Specs

inches [millimeters]



## Authorized Sales Representatives and Distributors

Click on a region of the map below to find your local representatives and distributors or visit [www.carlingtech.com/findarep](http://www.carlingtech.com/findarep).



## About Carling

Founded in 1920, Carling Technologies is a leading manufacturer of electrical and electronic switches and assemblies, circuit breakers, electronic controls, power distribution units, and multiplexed power distribution systems. With six ISO9001 and IATF16949 registered manufacturing facilities and technical sales offices worldwide, Carling Technologies Sales, Service and Engineering teams do much more than manufacture electrical components, they engineer powerful solutions! To learn more about Carling please visit [www.carlingtech.com/company-profile](http://www.carlingtech.com/company-profile).

To view all of Carling's environmental, quality, health & safety certifications please visit [www.carlingtech.com/environmental-certifications](http://www.carlingtech.com/environmental-certifications).

© Carling Technologies, Inc.

3. Carling is a registered trademark of Carling Technologies, Inc. in the U.S. and other countries.

## X-ON Electronics

Largest Supplier of Electrical and Electronic Components

*Click to view similar products for [Toggle Switches](#) category:*

*Click to view products by [Carling](#) manufacturer:*

Other Similar products are found below :

[8928K478](#) [8A1-C-222](#) [020017-13](#) [60012L](#) [6006L](#) [CS115W](#) [CS120W](#) [6663](#) [7101SPDV30BE](#) [7103SDV30BE](#) [7105D](#) [7108P3YAV2BE](#)  
[71YY50282](#) [7300K36](#) [7301K38](#) [7306K36](#) [7310K36](#) [7506K4](#) [7592K6](#) [7660K12](#) [7691K14](#) [7700K1](#) [8391K108](#) [8396K108](#) [8811K17](#)  
[8812K14](#) [8824K14](#) [8828K13](#) [8835K3](#) [8858K44](#) [PS83-121G](#) [1-1825192-0](#) [A201SCWZB04](#) [A207SYCB04](#) [A208J61ZQ0004](#) [A221T1TCQ](#)  
[A323S1CWZQ](#) [A423S1CWZG-M8](#) [1201W](#) [12156AX408](#) [12147AGKX679](#) [12246X778](#) [12TW49-3D](#) [130312](#) [13037L](#) [13001X](#)  
[AE101MD1W4B04](#) [AE208SD1W4B04](#) [MS24659-22D](#) [MS27407-5](#)