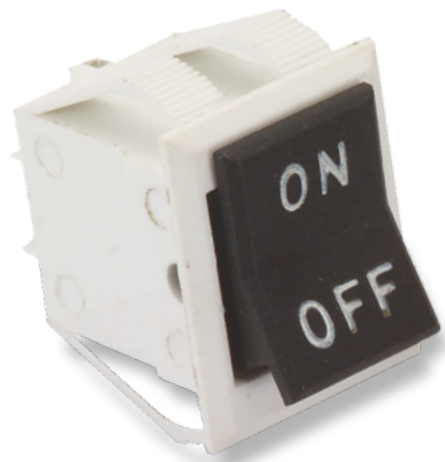
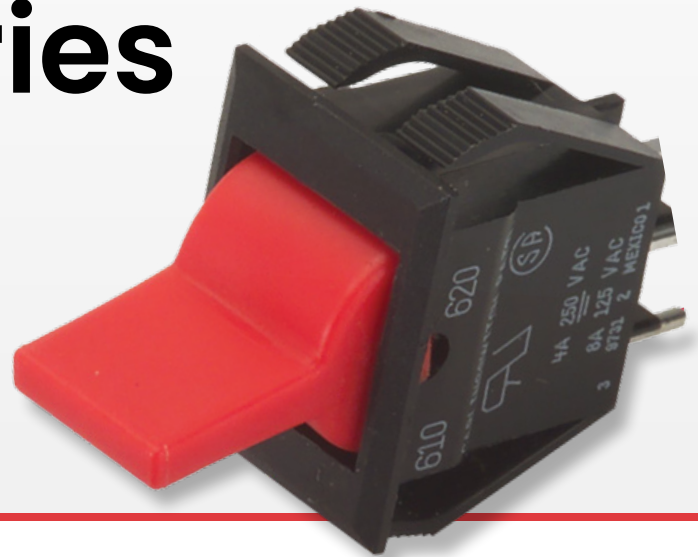


# 610/620-Series

Small-Sized Rocker Switches

[PRODUCT WEBPAGE](#)

*request sample, configure part*



The 610/620-Series switches are double insulated and available in single or double pole configurations. These snap-in mounted switches are offered with either a paddle or rocker actuator and with ratings up to 8 amps.

**1-2**  
Poles

**.4-8**  
Amps

**125-250**  
VAC

**12-24**  
VDC

## Typical Applications

- Handheld Appliances
- Audio-Visual
- Power Supplies
- Computers

# Tech Specs

## Dielectric Strength

UL/CSA:  
1000V - live to dead metal parts &  
opposite polarity

## Electrical Life

50,000 cycles- single pole  
50,000 cycles- double pole

## Operating Temperature

32°F to 185°F (0°C to 85°C)

# Ordering Scheme

Sample Part Number 62012421 - 0 - 0

Selection 1 2 3

### 1. SERIES

**4A 250VAC; 8A 125VAC**  
**Single Pole**

	Solder Lugs	PC Term
On-none-On	62011421	62011422
On-none-(On)	62011431	62011432
On-off-On	62011461	62011462
On-off-(On)	62011471	62011472
(On)-off-(On)	62011481	62011482
<b>Double Pole</b>		
On-none-On	62012421	62012422
On-none-(On)	62012431	62012432
On-off-On	62012461	62012462
On-off-(On)	62012471	62012472
(On)-off-(On)	62012481	62012482

### 2. TERMINAL SEALING

**0** None  
**E** Epoxy sealed terminals

### 3. LEGEND

NO LEGEND	hot stamp
On-OFF vertical	<b>A</b>
On-OFF horizontal	<b>B</b>
I-O horizontal	<b>D</b>
I-O vertical	<b>G</b>

#### Notes:

1 Base part number specifies black rocker and bezel. To specify paddle actuator, change 2nd digit of part number from 2 to 1 (ex. 61012421) For additional ratings and colors, consult factory.

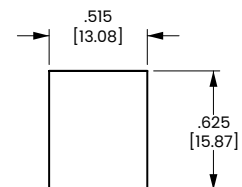
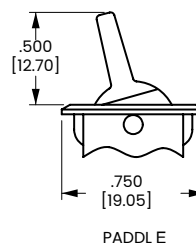
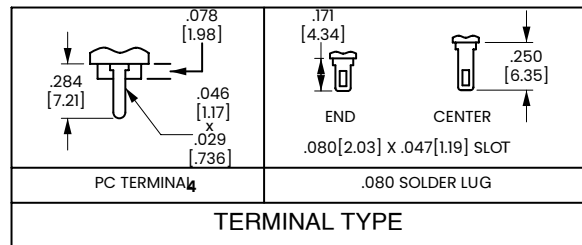
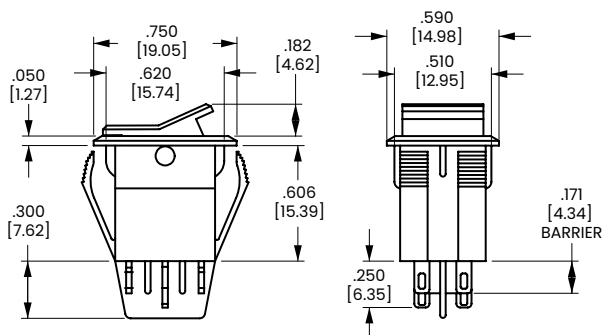
( ) indicates momentary function.

[Configure Complete Part Number >](#)

[Browse Standard Parts >](#)

# Dimensional Specs

inches [millimeters]



**MOUNTING HOLE**  
Panel Thickness:  
.030 [.762] min. to  
.093 [2.36] max.

## Authorized Sales Representatives and Distributors

Click on a region of the map below to find your local representatives and distributors or visit [www.carlingtech.com/findarep](http://www.carlingtech.com/findarep).



## About Carling

Founded in 1920, Carling Technologies is a leading manufacturer of electrical and electronic switches and assemblies, circuit breakers, electronic controls, power distribution units, and multiplexed power distribution systems. With six ISO9001 and IATF16949 registered manufacturing facilities and technical sales offices worldwide, Carling Technologies Sales, Service and Engineering teams do much more than manufacture electrical components, they engineer powerful solutions! To learn more about Carling please visit [www.carlingtech.com/company-profile](http://www.carlingtech.com/company-profile).

To view all of Carling's environmental, quality, health & safety certifications please visit [www.carlingtech.com/environmental-certifications](http://www.carlingtech.com/environmental-certifications).

© Carling Technologies, Inc.

3. Carling is a registered trademark of Carling Technologies, Inc. in the U.S. and other countries.

## X-ON Electronics

Largest Supplier of Electrical and Electronic Components

*Click to view similar products for [Rocker Switches](#) category:*

*Click to view products by [Carling](#) manufacturer:*

Other Similar products are found below :

[LTI LA6E-1S-WH-RC-FN12VXCR1](#) [6-1571986-9](#) [8007K26N324V52](#) [8055K32Z7V](#) [8055K52Z7V](#) [8138K20E6M50](#) [84206L](#) [84312LX](#)  
[PREDD5-07F-BB0GW](#) [999-16716-002](#) [999-16716-003](#) [999-16716-004](#) [A101J1V3Q004](#) [A101J2ZQ004](#) [A101J4ZQ004](#) [A101J51CB0004](#)  
[A103J1ZQ004](#) [A201J1AQ004](#) [A201J3ZB004](#) [A201J50ZQ004](#) [A203J51ZQ0004](#) [A435S1YZQ](#) [H8500XBBBBL-A](#) [H8653VBBG2577W](#)  
[HB130CHNWWNAAC](#) [R13112ABB-602W](#) [1251.0303](#) [AE205J60V3B004](#) [1352.0107](#) [1571099-3](#) [1571987-4](#) [1571987-5](#) [1571989-7](#)  
[1571988-5](#) [B123J77V7B2](#) [B226J50W4Q22P](#) [B433J37ZQ22M](#) [160212E](#) [1634200-7](#) [1801.1164](#) [1839.1502](#) [PANEL-PLUG-VHP-BLACK](#)  
[PANEL-PLUG-VHP-WT](#) [K1ABBSCADN](#) [KG312A2DXD246X](#) [250011E714](#) [2600HM11E](#) [2600R21E](#) [2637LH/2A7/122048L0](#)  
[2639LH/2A7/127000L0](#)