

610/620-Series Miniature Rocker Switches



The miniature 610/620-Series switches are double insulated and available in single or double pole configurations. These snap-in mounted switches are offered with either a paddle or rocker actuator and with ratings up to 8 amps. Applications include: Handheld Appliance, Power Supplies, Audio-Visual, Telecom, and Computers.

Dielectric Strength

UL/CSA:

1000V - live to dead metal parts & opposite polarity

Electrical Life

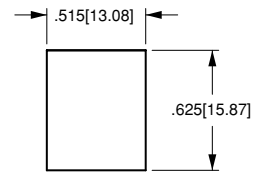
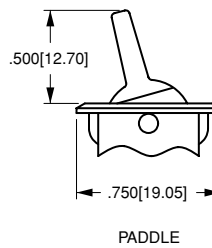
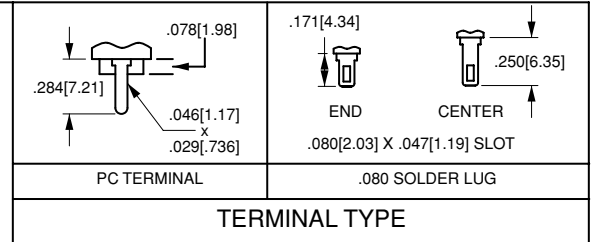
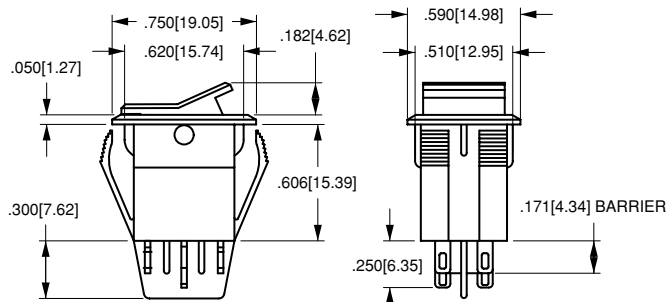
50,000 cycles- single pole
50,000 cycles- double pole

Mechanical Life

100,000 cycles

Operating Temperature

32°F to 185°F (0°C to 85°C)



MOUNTING HOLE

Panel Thickness:
.030[.762] min. to
.093[2.36] max.

62012421

 - 0 - 0

¹ Base Part Number

² Terminal Sealing

³ Legend

1 BASE PART NUMBER: SERIES/CIRCUITRY/RATING¹/TERMINATION¹

4A 250VAC; 8A 125VAC

Single Pole

	Solder Lugs	PC Term
ON-NONE-ON	62011421	62011422
ON-NONE-(ON)	62011431	62011432
ON-OFF-ON	62011461	62011462
ON-OFF-(ON)	62011471	62011472
(ON)-OFF-(ON)	62011481	62011482

Double Pole

ON-NONE-ON	62012421	62012422
ON-NONE-(ON)	62012431	62012432
ON-OFF-ON	62012461	62012462
ON-OFF-(ON)	62012471	62012472
(ON)-OFF-(ON)	62012481	62012482

2 TERMINAL SEALING

0 none
E epoxy sealed terminals

3 LEGEND

	hot stamp
NO LEGEND	0
ON-OFF vertical	A
ON-OFF horizontal	B
I-O horizontal	D
I-O vertical	G

NOTES

¹ Base part number specifies black rocker and bezel. To specify paddle actuator, change 2nd digit of part number from 2 to 1 (ex. 61012421) For additional ratings and colors, consult factory.
() indicates momentary function.

X-ON Electronics

Largest Supplier of Electrical and Electronic Components

Click to view similar products for [Rocker Switches](#) category:

Click to view products by [Carling](#) manufacturer:

Other Similar products are found below :

[VKD2GHNB-00000-000](#) [VSD2GNNB-00000-000](#) [6-1571986-5](#) [6-1571986-9](#) [632422-4B-KD](#) [7036WWCDBX653+U622](#) [8055K52Z7V](#)
[8138K20E6M50](#) [FMC18A2200002](#) [84206L](#) [84312LX](#) [PREDD4-07F-BB0FW](#) [PREDD5-07F-BB0GW](#) [PRFDD1-16F-BB000](#) [PRFDD3-16F-](#)
[BB000](#) [1-1634201-0](#) [999-16702-001](#) [A101J2ZQ004](#) [A101J4ZQ004](#) [A101J51CB0004](#) [A107J51ZQ0004](#) [A201J1AQ004](#) [A201J1AV2Q004](#)
[A201J3ZB004](#) [A201J50ZQ004](#) [A203J51ZQ0004](#) [A226L11YZQ](#) [A22L11A](#) [A435S1YZQ](#) [H8500XBBBBL-A](#) [H8653VBBG2577W](#)
[HB130CHNWWNAAC](#) [1251.0303](#) [AE205J60V3B004](#) [RH110C2NBB](#) [1352.0107](#) [1363.0201](#) [AML25GBF2AA03GR](#) [1571099-3](#) [1571987-4](#)
[1571987-5](#) [1571989-7](#) [B123J77V7B2](#) [B226J50W4Q22P](#) [B433J37ZQ22M](#) [160212E](#) [1801.1164](#) [1831.1102](#) [1833.3402](#) [1837.1118](#)