

651/652-Series

Small-Sized Rocker Switches

[PRODUCT WEBPAGE](#)

request sample, configure part



This switch is ideal for applications with back panel size constraints. It fits in a standard rectangular cutout and is designed to provide ease of insertion along with superior panel retention qualities. A high profile rocker and butt-action contacts provide the user with a crisp positive-type feel. A variety of ratings, circuitry and termination choices will appeal to many market segments.

1 Pole **6-12** Amps **125-250** VAC **6-24** VDC

Typical Applications

- Handheld Appliances
- Audio-Visual
- Power Supplies

Tech Specs

Dielectric Strength

UL/CSA: 1000V-live to dead metal parts

Electrical Life

100,000 cycles- maintained
50,000 cycles- momentary
50,000 cycles- T-rating

Operating Temperature

32°F to 185°F (0°C to 85°C)

Ordering Scheme

Sample Part Number **651 122 - B B - A N**

Selection 1 2 3 4 5 6

1. SERIES

651 Matte Finish **652** Gloss Finish

2. CIRCUITRY / RATING / TERMINATION

	.187 Solder Lugs	.187 Tabs	PC Terms	PC Rt.	Wire Angle
10A 250VAC, 10A 125VAC, 1/4 HP, 125-250 VAC					
Leads					
ON-NONE-OFF	121	122	123	124	125
(ON)-NONE-OFF	261 ¹	262	263	264	265
ON-NONE-(OFF)	361 ¹	362	363	364	365
ON-NONE-ON	421	422	423	424	425
ON-NONE-(ON)	561 ¹	562	563	564	565
ON-OFF-ON	681 ²	682	683	684	686
ON-OFF-(ON)	781 ²	782	783	784	785
(ON)-OFF-(ON)	881 ²	882	883	884	885

3. ACTUATOR COLOR

B Black **W** White

4. BASE COLOR

B Black **W** White

5. ROCKER LEGEND

	molded in ⁴	hot stamp
NO LEGEND	0	0
Off-On vertical	1	A
Off-On horizontal	-	B
I-O horizontal	8	D
I-O vertical	9	E
O on rocker end	-	F
II-O-I vertical	-	G
II-O-I horizontal	-	H

6. VISI-ROCKER END / LEGEND COLOR

N N/A
B Black
V Visi-red
W White

Notes:

Additional ratings (including 14V T) & color options are available; Consult factory.

¹ Rated 12A 125VAC, 6A 250 VAC, 1/4HP 125-250VAC.

² Rated 8A 125-250VAC, 1/4HP 125-250VAC.

³ Additional colors available. Consult factory for details.

⁴ Available with Visi-Rocker option only.

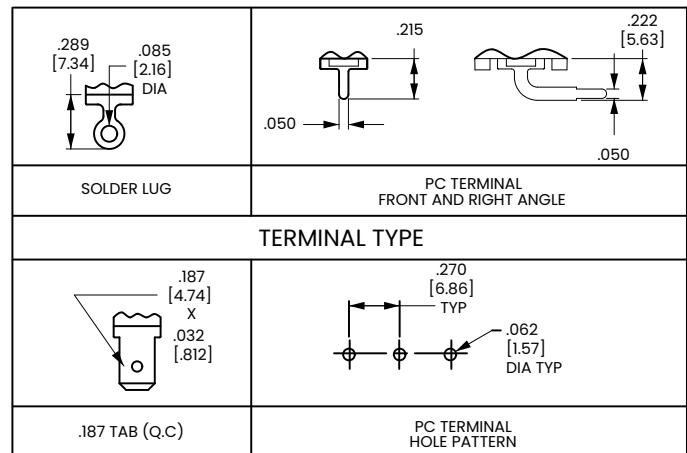
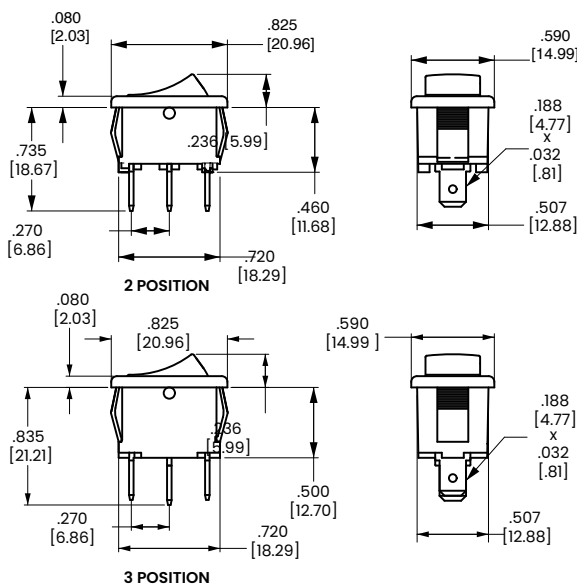
() Indicates momentary function.

[Configure Complete Part Number >](#)

[Browse Standard Parts >](#)

Dimensional Specs

inches [millimeters]



RECOMMENDED
PANEL
OPENING

PANEL THICKNESS	A	B	
.030 [.76]-.050 [1.27]	.508 [12.90]	.756 [19.20]	
.050 [1.27]-.078 [1.98]	.508 [12.90]	.764 [19.40]	
.078 [1.98]-.125 [3.17]	.508 [12.90]	.780 [19.81]	

Authorized Sales Representatives and Distributors

Click on a region of the map below to find your local representatives and distributors or visit www.carlingtech.com/findarep.



About Carling

Founded in 1920, Carling Technologies is a leading manufacturer of electrical and electronic switches and assemblies, circuit breakers, electronic controls, power distribution units, and multiplexed power distribution systems. With six ISO9001 and IATF16949 registered manufacturing facilities and technical sales offices worldwide, Carling Technologies Sales, Service and Engineering teams do much more than manufacture electrical components, they engineer powerful solutions! To learn more about Carling please visit www.carlingtech.com/company-profile.

To view all of Carling's environmental, quality, health & safety certifications please visit www.carlingtech.com/environmental-certifications.

© Carling Technologies, Inc.

3. Carling, Visi-Rocker are registered trademarks of Carling Technologies, Inc. in the U.S. and other countries.

X-ON Electronics

Largest Supplier of Electrical and Electronic Components

Click to view similar products for [Rocker Switches](#) category:

Click to view products by [Carling](#) manufacturer:

Other Similar products are found below :

[LTI LA6E-1S-WH-RC-FN12VXCR1](#) [6-1571986-9](#) [8007K26N324V52](#) [8055K32Z7V](#) [8055K52Z7V](#) [8138K20E6M50](#) [84206L](#) [84312LX](#)
[PREDD5-07F-BB0GW](#) [999-16716-002](#) [999-16716-003](#) [999-16716-004](#) [A101J1V3Q004](#) [A101J2ZQ004](#) [A101J4ZQ004](#) [A101J51CB0004](#)
[A103J1ZQ004](#) [A201J1AQ004](#) [A201J3ZB004](#) [A201J50ZQ004](#) [A203J51ZQ0004](#) [A435S1YZQ](#) [H8500XBBBBL-A](#) [H8653VBBG2577W](#)
[HB130CHNWWNAAC](#) [R13112ABB-602W](#) [1251.0303](#) [AE205J60V3B004](#) [1352.0107](#) [1571099-3](#) [1571987-4](#) [1571987-5](#) [1571989-7](#)
[1571988-5](#) [B123J77V7B2](#) [B226J50W4Q22P](#) [B433J37ZQ22M](#) [160212E](#) [1634200-7](#) [1801.1164](#) [1839.1502](#) [PANEL-PLUG-VHP-BLACK](#)
[PANEL-PLUG-VHP-WT](#) [K1ABBSCADN](#) [KG312A2DXD246X](#) [250011E714](#) [2600HM11E](#) [2600R21E](#) [2637LH/2A7/122048L0](#)
[2639LH/2A7/127000L0](#)