

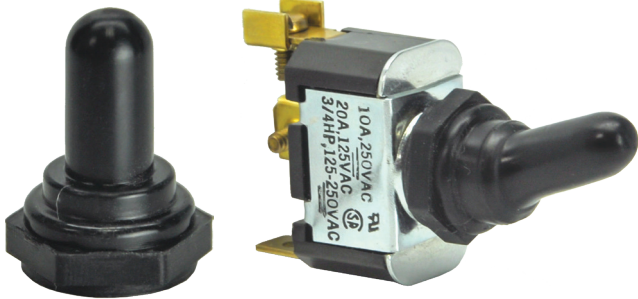
Hexboot Accessories

Carling Technologies full or half hexboot is the perfect complement to Carling's line of toggle switches. The boot is compatible with 15/32" threaded bushings and will provide extra protection against the elements in harsh environments.

Product Highlights:

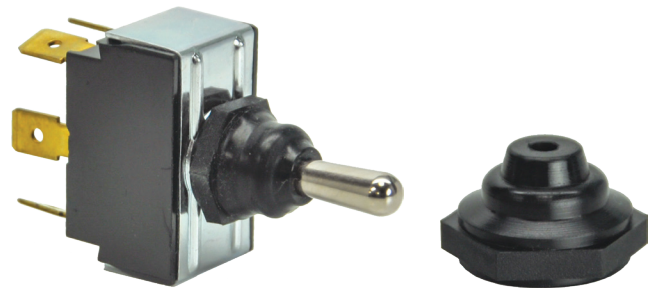
- Flexible tear-resistant silicone rubber overmolded onto a 15/32" brass hexnut
- Full hexboot completely covers toggle actuator and bushing
- Meets ROHS 2011/65/EU directive
- Inhibits the rotation of switches subjected to low frequency vibration
- Complementary, cost effective addition to Carling's toggle switches
- Suitable for toggle models: F-Series, G-Series, 110-Series, C-Series, D-Series, DK/EK-Series, H/I-Series, LT-Series

Full Hexboot



Part #: 999-37246-001

Half Hexboot

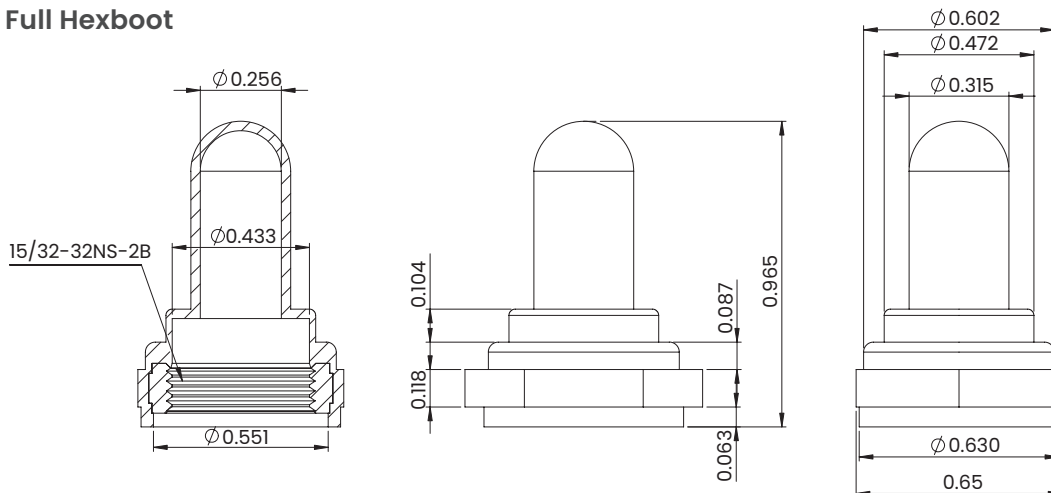


Part #: 999-37245-001

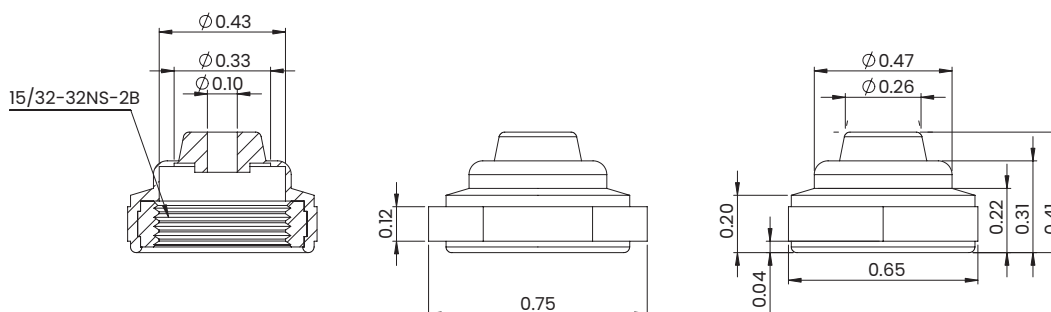
Dimensional Specs

inches [millimeters]

Full Hexboot



Half Hexboot



X-ON Electronics

Largest Supplier of Electrical and Electronic Components

Click to view similar products for [Switch Fixings](#) category:

Click to view products by [Carling](#) manufacturer:

Other Similar products are found below :

[893102000](#) [00-5150](#) [LZZ1A](#) [0098.9234](#) [61-9451.0](#) [M2PA-5011](#) [630155](#) [635401](#) [6PA113](#) [6PA147-E6](#) [6PA148-E6](#) [6PA32](#) [6PA9](#) [700106](#)
[700109](#) [700303A56](#) [700C1GRY](#) [700C2GRN](#) [704-6001](#) [704.960.9](#) [704.965.2](#) [704.965.6](#) [704.966.0](#) [7089-3](#) [710082-B11](#) [71M1048](#)
[757200264](#) [764300000](#) [MHU35](#) [MHU37](#) [807039-1](#) [825.003.011](#) [825.005.011](#) [825.053.011](#) [825.055.011](#) [826.000.071](#) [827.020.011](#)
[827.400.021](#) [835.900.023](#) [MML52C10C](#) [MML52E10C](#) [MML92HGH](#) [MML93K](#) [84211M02CNNS](#) [84212M02CNNS](#) [84217A8.0LNOS](#)
[842.500.011](#) [843187-000](#) [843487-000](#) [84-901](#)