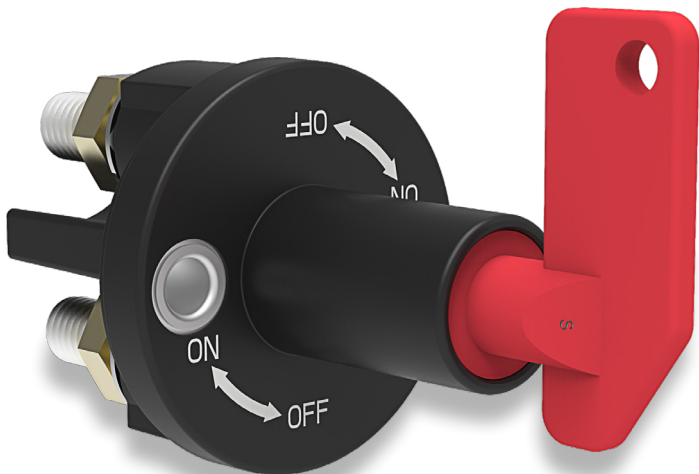


BD1-Series

Battery Disconnect Power Switch

[PRODUCT WEBPAGE](#)

request sample, configure part, watch video



The BD1-Series battery disconnect switch is designed to minimize battery drain, ensure maintenance personnel safety. Additionally, the optional, removable key adds an extra layer of security to protect against vehicle theft.

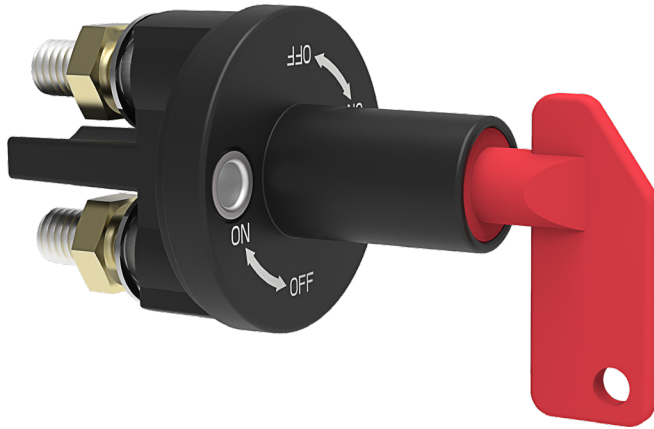
1 Pole **250** Amps **12-24** VDC **IP67 Sealing**
Above-Panel

Typical Applications

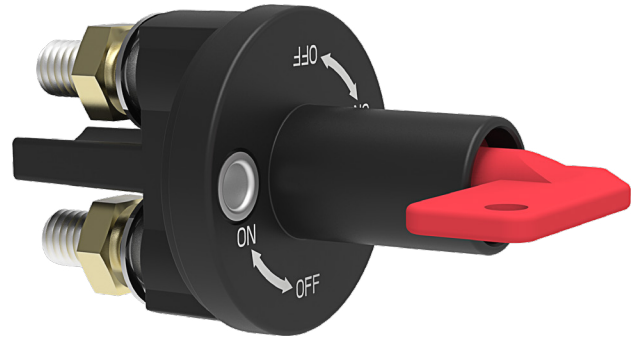
- On/Off-Highway Equipment
- Military
- Marine

Design Features

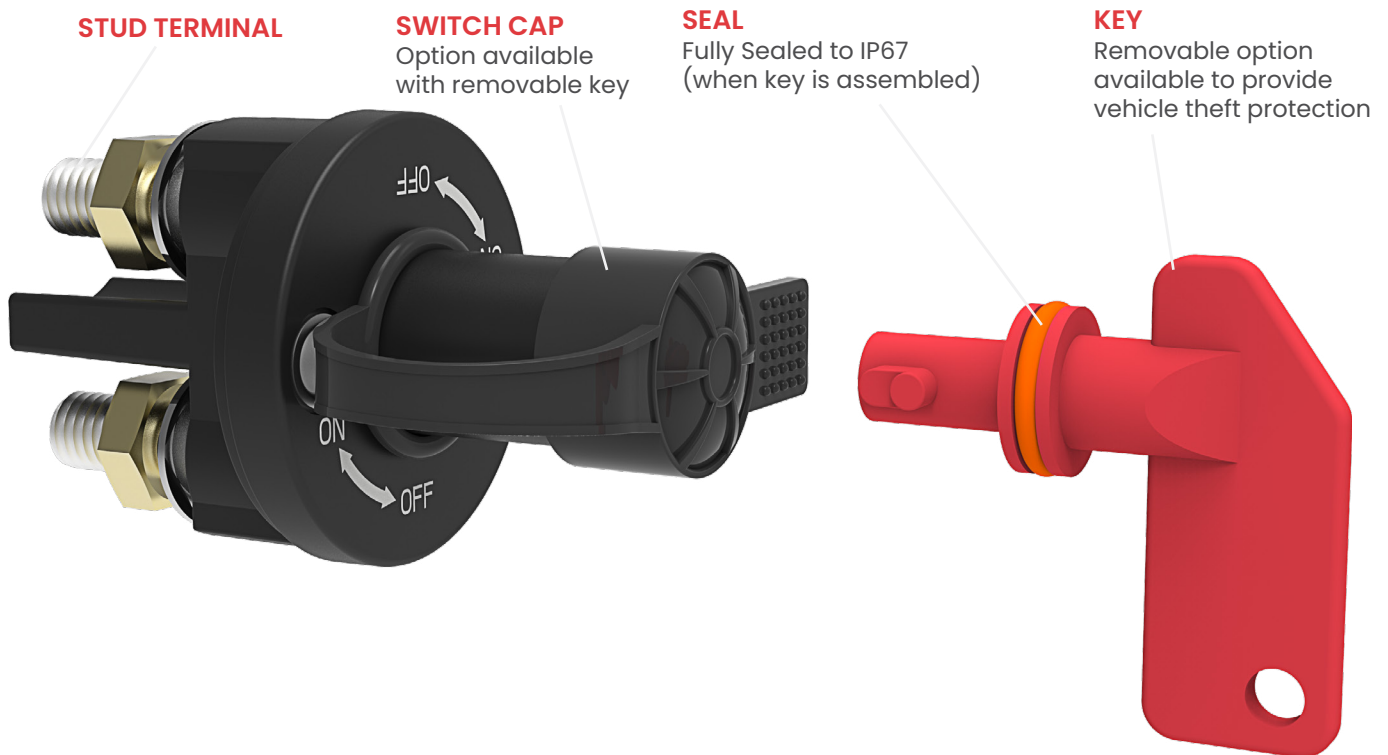
OFF POSITION



ON POSITION



OFF POSITION WITH KEY REMOVED



Tech Specs

Electrical

Application Voltage	DC Rated voltage: 12VDC / 24VDC Range of operating voltage: 12VDC: min 9VDC, max 16VDC; 24VDC: min 18VDC, max 32VDC
Current Ratings	250A@ 12VDC/24VDC
Contact Voltage Drop	Voltage drop≤100mV after 300 sec. ON at 200% rated current prior to endurance test; Voltage drop≤500mV after 5 msec. ON at 1600A max. current prior to endurance test.
Dielectric Strength	50HZ, 1200VAC for 1 minute between electrically / isolated terminals in main circuit; between terminals of main circuit, knob and enclosure.
Insulation Resistance	Minimum of 100 Megohms 1 min @ 500VDC.
Temperature Rise	Terminal should not exceed 90°C above ambient at rated current after endurance test.
Endurance	2 seconds ON and 3 seconds OFF per operation, load with rated current & voltage. 12V test @14V; 24V test @28V. Total 20,000 cycles: 250A current ratings, including 4,000 cycles respectively at -40 °C±2 and +85 °C±2; 12,000 cycles at 23 °C±2.
Overload	500A: 300 seconds ON; 1600A: 30 seconds ON.

Mechanical

Handling Shock	Fully functional after 3 drops from 1000 mm height. Surface damage may occur.
----------------	---

Agency Approvals

UL 558/583

Environmental

Operating Temp.	-40 °C to +85 °C.
Moisture Resistance	IEC 60068-2-38 or G/T 2423.34, Test Z/AD: Composite temperature/humidity cycle test, ten 24-hour cycles @ -10°C to +65°C, ≤80-96% RH.
Thermal Cycling	IEC 60068-2-14 or GB/T 2423.22, Test Nb, 25 Cycles -40°C to +85°C.
Thermal Shock	GB/T 28046.4-2011, 5.3.2, Test Na (100 cycles@ -40°C to +25°C to +85°C to +25°C).
Thermal Resistance	ISO 16750-4 or GB/T 28046.4 Cold: Test A, work 24 hours @ -40°C ISO 16750-4 or GB/T 28046.4 Heat: Test B, work 48 hours @ +85°C.
Vibration	IEC 60068-2-34 or GB/ T 2423.11,10-500 Hz, Random vibration test for 8 hours in each of the 3 mutually perpendicular axes. 25Gs @ Z axes, 12.5Gs @ X/Y axes, powered.
Salt Spray	IEC 60695-11-10 or GB/T 2408, HB (horizontal burning) and V0 (vertical burning).
Sealing	IP67, for above and below-panel components of actual switch only
Chemical Splash	Gasoline, Diesel, Motor Oil, Brake Fluid, Ammonia, Mixture of previous five chemicals.
UV Protection	ASTM G155-05a, cycle 11, 300 hr Xenon Arc, 1.4W / (m ² Nm), wavelength 420 Nm.

Physical

Number of Poles	1 pole
Wiring Terminals	Line / Load terminal: brass nuts Torque value: M10 (10-15 Nm).
Mounting	M6/M7 bolt and nut, torque value: 4-5 Nm.
Torque Operation	0.5-1.0 Nm.
Body Color	Black
Actuator Color	Red
Weight	Approximately 165g
Material	Base & Bracket & Key (glass filled nylon), Studs (Tin plated brass), Nuts (Brass) Locking Washers (SUS304).

Ordering Scheme

Sample Part Number **BD1 - 1 A 2 /CAP**

Selection 1 2 3 4 5

1. SERIES

BD1 Battery Disconnect Power Switch (1 Pole)

2. RATING / CYCLES

- 1 250A @ 12/24VDC
- 2 250A @ 12/24VDC, UL 558

Notes:

1 The Cap accessory is only available for the removable key type.

[Configure Complete Part Number >](#)

[Browse Standard Parts >](#)

3. KEY STYLE

- A** Removable
- B** Non-Removable

4. TERMINATION

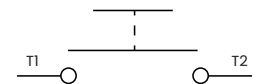
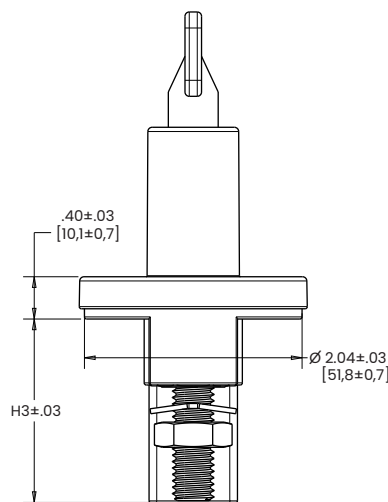
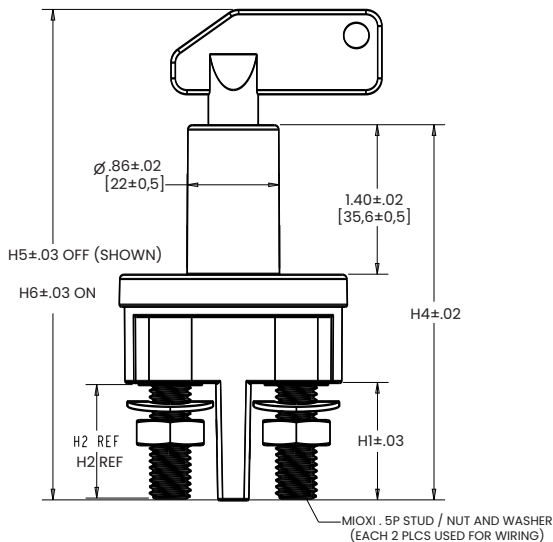
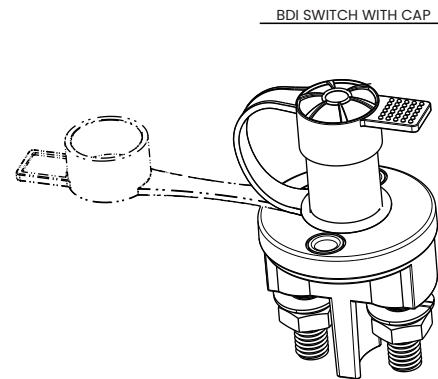
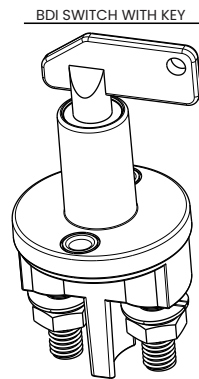
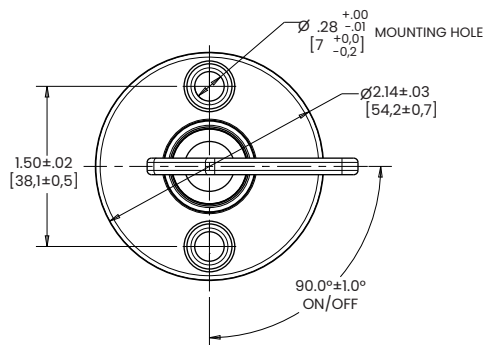
- 1 M10 Stud 19 mm length
- 2 M10 Stud 27 mm length

5. ACCESSORY ¹

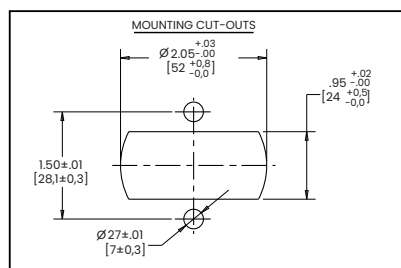
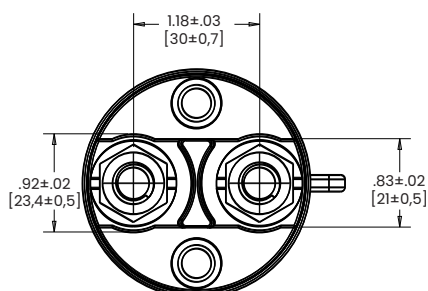
- BLANK** Without Cap
- /CAP** With Cap

Dimensional Specs

inches [millimeters]



"ON/OFF" SINGLE POLE SINGLE THROW SWITCH CIRCUIT DIAGRAM



Part Number	BD1-XX2	BD1-XX1
H1	1.10 [27.9±0.6]	0.80 [20.3±0.63]
H2	1.06 [27] [27]	0.75 [19]
H3	1.72 [43.6±0.7]	1.42 [36.0±0.5]
H4	3.51 [89.3±0.5]	3.21 [81.6±0.5]
OFF: H5	OFF 4.59 [116.7±0.7]	OFF 4.29 [109.1±0.7]
ON: H6	ON 4.45 [113.1±0.7]	ON 4.15 [105.4±0.7]

Notes:

- 1 Torque for mounting nut: M6 or M7 (4-5 nm)
- 2 Torque for wiring nut: M10 (10-15 nm)
- 3 Switch can be mounted vertically or horizontally

Authorized Sales Representatives and Distributors

Click on a region of the map below to find your local representatives and distributors or visit www.carlingtech.com/findarep.



About Carling

Founded in 1920, Carling Technologies is a leading manufacturer of electrical and electronic switches and assemblies, circuit breakers, electronic controls, power distribution units, and multiplexed power distribution systems. With six ISO9001 and IATF16949 registered manufacturing facilities and technical sales offices worldwide, Carling Technologies Sales, Service and Engineering teams do much more than manufacture electrical components, they engineer powerful solutions! To learn more about Carling please visit www.carlingtech.com/company-profile.

To view all of Carling's environmental, quality, health & safety certifications please visit www.carlingtech.com/environmental-certifications.

© Carling Technologies, Inc.

5. Carling is a registered trademark of Carling Technologies, Inc. in the U.S. and other countries.

X-ON Electronics

Largest Supplier of Electrical and Electronic Components

Click to view similar products for [Control Switches](#) category:

Click to view products by [Carling](#) manufacturer:

Other Similar products are found below :

[80887-99](#) [80932-99](#) [86855-00](#) [88814-30](#) [1424293-1](#) [HW4S-2TC10](#) [89721-12](#) [89804-08](#) [SSN](#) [RL01801](#) [ASD2L20N-LVO](#) [50051857-17](#)
[50099156-001-05](#) [51.155R-15200](#) [50058920-26](#) [CP-FA51](#) [CP-FA49](#) [ACCU-SC/L-3000](#) [PP9M](#) [PP87G](#) [PP86GA](#) [PP74G](#) [PP73M](#) [PP73G](#)
[PP71G](#) [PP70G](#) [PP6G](#) [PP62G](#) [PP58BL](#) [PP86GB](#) [PP77GA](#) [PP76G](#) [PP4M](#) [PP47G](#) [PP46G](#) [PP41M](#) [PP40G](#) [PP32G](#) [RD-20](#) [PP23M](#) [PP14M](#)
[PP12G](#) [PORTAPRO](#) [POM-2708](#) [PNB-2005](#) [3057.0012](#) [CV-075](#) [CV-140SB](#) [CV-150](#) [CV-150S](#)