

CX-Series

Hydraulic-Magnetic Circuit Breaker

PRODUCT WEBPAGE

request sample, configure part, watch video



High Amperage and DC Voltage Circuit Breaker Disconnect for UL 489B Applications

The CX-Series hydraulic-magnetic circuit breakers employ a patented magnetic flux boosting terminal configuration to offer rapid cooling and superior performance for high amperage and high DC voltage applications. Compact in size, the CX-Series is available as a one pole breaker rated up to 125 amps, as a two to four pole breaker rated up to 115 amps, and as a disconnect option with additional amperage and pole configuration options. Maximum voltage capacity of 600VDC and 10,000 amps max IC.

1-5 125 600 Suited for 380VDC
Poles Amps Max VDC Max Applications

Typical Applications

- Datacom, PDU and UPS Systems
- Renewable Energy
- Charging Stations
- Mission Critical Equipment
- Power Supplies and Convertors
- Motor Controllers
- Smart Grids

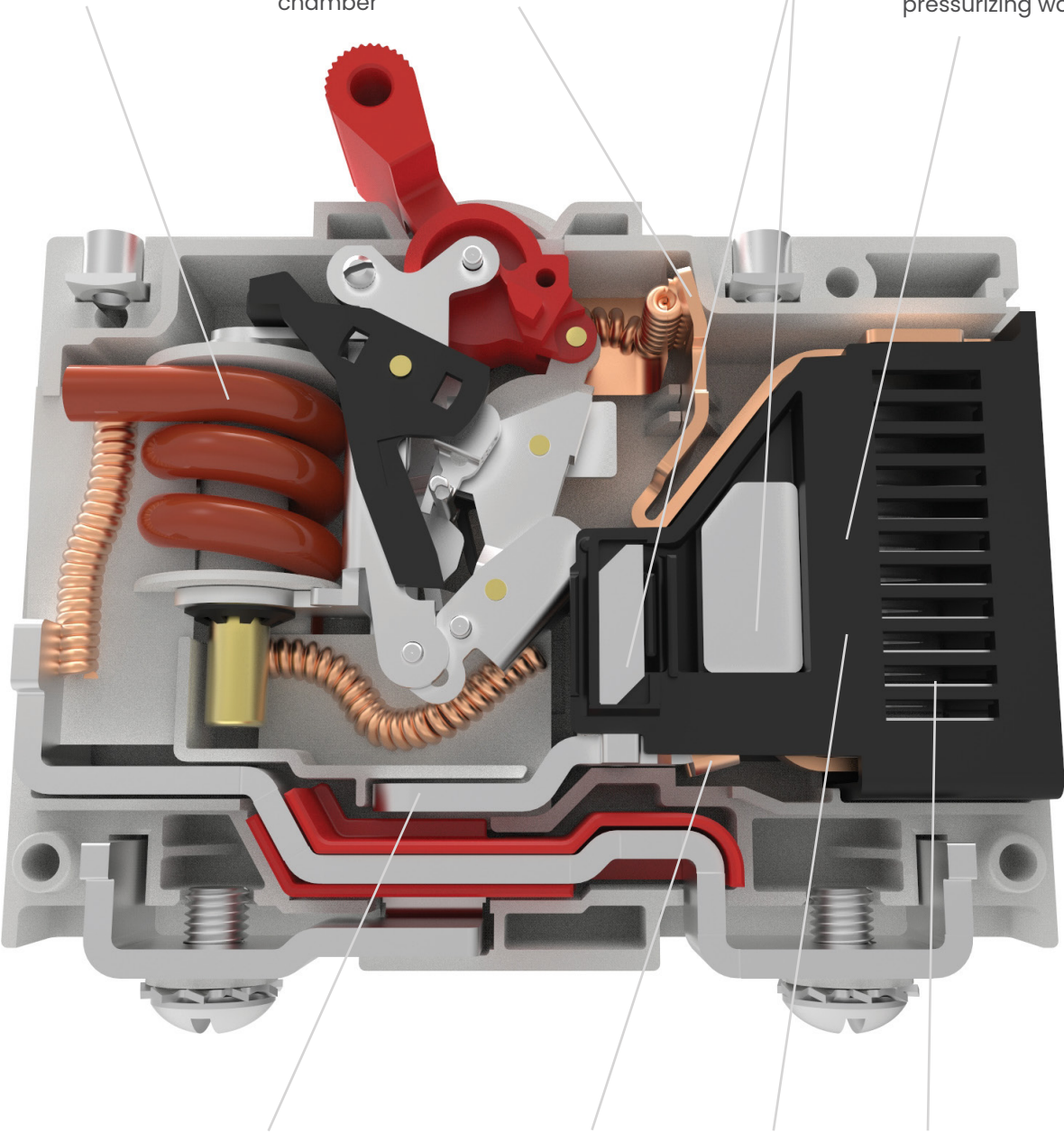
Design Features

HYDRAULIC/MAGNETIC SENSING COIL

UPPER ARC RUNNER
Aids in motivating arc off of movable contact and into arc chamber

MAGNETS

ARC SPLITTER RETAINER
with integrated pressurizing walls



PATENTED MAGNETIC FLUX BOOSTING TERMINAL CONFIGURATION
Design enhances motivation of arc into arc chamber

LOWER ARC RUNNER
Aids in motivating arc off of stationary contact and into arc chamber

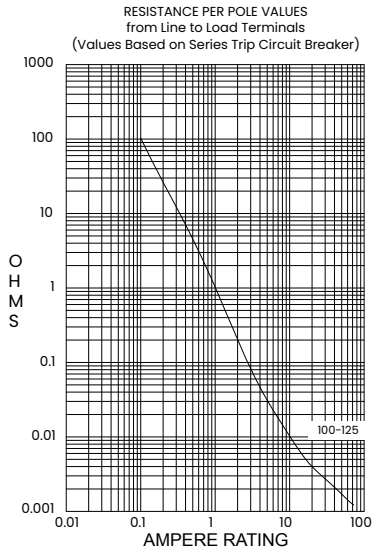
LARGE ARC GAP
To generate high arc voltages

(12) ARC DEIONIZING SPLITTER PLATES

Tech Specs

Electrical

Maximum Voltage	600 VDC
Overload	50 operations at 600% of rated current for UL489, and at 150% of rated current for UL1077.



CURRENT (AMPS)	TOLERANCE (%)
0.10 - 5.0	15
5.1 - 20.0	25
20.1 - 50.0	35

Physical

Number of Poles	1- 2 poles, + Auxiliary Switch Pole.
Termination	10-32 or M5 Screw Terminals
Terminals	1/4-20 or M6 Threaded Stud
Termination Barrier	Standard with multi-pole constructions
Mounting	Threaded insert: #6-32 UNC-2B, or M3X0.5-6H B ISO (2 per pole)
Actuator	Handle, 1 per pole.
Internal Circuit Configuration	Series Trip
Materials	Housing - Glass filled Polyester Handle - Glass filled Polyester Line/Load Terminals - Copper Alloy.~150 Grams (~5.3 Ounces).
Weight	~150 Grams (~5.3 Ounces).
Standard Color	Housing - Gray. Handle - White, Black, Red, Green, Blue, Yellow, Gray,

Environmental

Designed and tested in accordance with requirements of specification MIL-PRF-55629 & MIL-STD-202 as follows:

Shock	Withstands 100 Gs, 6ms saw tooth while carrying rated current per MILPRF-55629 and MIL-STD-202G, Method 213G, Test Condition "I". Instantaneous and ultra short curves tested at 90% of rated current
Vibration	Withstands 0.060" excursion from 10-55 Hz & 10 Gs 55-500 Hz, at rated current per MIL-PRF-55629 and MILSTD-202G, Method 204D, Test Cond. A. Instantaneous & ultrashort curves tested at 90% of rated current.
Moisture Resistance	MIL-PRF-55629 and MIL-STD-202G, Method 106G, i.e., Ten 24-hour cycles at +25°C to +65°C, 80-98% RH.
Salt Spray	Method 101, Condition A (90-95% RH at 5% NaCl Solution, 96 hrs).
Thermal Shock	MIL-PRF-55629 and MIL-STD-202G, Method 107G, Condition A (5-cycles at -55°C to +25°C to +85°C to +25°C).
Operating Temperature	-40°C to +85°C.

Mechanical

Endurance	Max 10,000 ON-OFF operations @ 6 per minute; 6000 with rated current & voltage, and 4,000 cycles mechanical.
Trip Free	Trips on overload even when actuator is forcibly held in the "On" position.
Trip Indication	The operating handle moves positively to the "Off" position when an overload causes the breaker to trip.

Tech Specs

Tables

Table A: Lists UL Listed (UL489) configuration and performance capabilities as a Molded Case Circuit Breaker

UL489 Listed Branch Circuit Breakers					
Circuit Configuration	Voltage		Max Current Rating (Amps)	Interrupting Capacity (Amps)	Poles
	Max Rating	Frequency			
Series	250	DC	15	5,000	1
	250 / 500			10,000	2
	410 / 205		50		

Table B: Lists UL Recognized configurations and performance capabilities as a Component Supplementary Protector

UL1077 Component Supplementary Protector						
Circuit Configuration	Voltage		Max Current Rating (Amps)	Interrupting Capacity (Amps)	Poles	Application Code
	Max Rating	Frequency				
Series	300	DC	1 - 75	5,000	1	TC1, OL0, U3
	300		76 - 125	3,000		
	440		1 - 30	10,000	2	
			31 - 63	5,000		
	600		1 - 75	5,000		
			78 - 115	3,000		
Switch Only ¹	600	1 - 115	-	2 or 3	-	

Notes

¹ Requires inclusion of a relay trip voltage coil

Table C: Lists UL Listed (UL489B) configuration and performance capabilities as a Molded Case Switch

UL489B Listed Photovoltaic Molded Case Switch						
Circuit Configuration	Voltage			Current Rating (Amps)	Interrupting Capacity (Amps)	Application Code
	Max Rating	Frequency	Poles			
Series	600	DC	2 ¹	50 - 100	600	May have a third pole that is a voltage pole
			4 ²	110 - 175		May have a fifth pole that is a voltage trip pole

Notes

¹ Two poles in series.

² Two poles in series in parallel with 2 poles in series.

Table D: TUV Certified Configuration to IEC / EN 60947-2. Low Voltage Switch gear and Control gear - Circuit Breakers

TUV IEC/EN 60947-2 Low Voltage Switch Gear & Control Gear / Circuit Breaker					
Circuit Configuration	Voltage			Current Rating (Amps)	Interrupting Capacity ICS / ICU (Amps)
	Max Rating	Frequency	Poles		
Series	440	DC	2	1 - 63	4,000

Ordering Scheme UL 489 Listed

Sample Part Number

C X 1 - B 0 - 14 - 615 - 2 2 A - 12 G

Selection 1 2 3 4 5 6 7 8 9 10 11 12

1. SERIES

C

2. ACTUATOR

X Handle, one per pole

3. POLES

1 One
2 Two

4. CIRCUIT

B Series Trip (current)

5 AUXILIARY/ALARM SWITCH

0 Without Aux Switch

6. FREQUENCY & DELAY

11 DC Ultra Short
12 DC Short
14 DC Medium
16 DC Long

7. CURRENT RATING (AMPERES)

CODE	AMPERES				
220	0.20	295	0.95	460	6.00
225	0.25	410	1.00	465	6.50
230	0.30	512	1.25	470	7.00
235	0.35	415	1.50	475	7.50
240	0.40	517	1.75	480	8.00
245	0.45	420	2.00	485	8.50
250	0.50	522	2.25	490	9.00
255	0.55	425	2.50	495	9.50
260	0.60	527	2.75	610	10.00
265	0.65	430	3.00	710	10.50
270	0.70	435	3.50	611	11.00
275	0.75	440	4.00	711	11.50
280	0.80	445	4.50	612	12.00
285	0.85	450	5.00	712	12.50
290	0.90	455	5.50	613	13.00

8. TERMINAL

2 Screw Terminal, 10-32
3 Stud, 1/4-20
5 Screw Terminal, M5
6 Stud, M6

9 ACTUATOR COLOR & LEGEND

Actuator Color	I-O	ON-OFF	Dual	Legend Color
White	A	B	1	Black
Black	C	D	2	White
Red	F	G	3	White
Green	H	J	4	White
Blue	K	L	5	White
Yellow	M	N	6	Black
Gray	P	Q	7	Black
Orange	R	S	8	Black

10. MOUNTING INSERTS

A 6-32 Thread
B M3 Thread

11. MAXIMUM APPLICATION RATING

12 250 VDC
13 250/500 VDC ¹
15 205/410 VDC

12. AGENCY APPROVAL

A Without Approvals
G UL 489 Listed
S UL 489 Listed, TUV to IEC60947-2 ¹

Notes:

¹ Only Available with 250/500 VDC up to 15 amps.

[Configure Complete Part Number >](#)

[Browse Standard Parts >](#)

Ordering Scheme UL 489B Listed

Sample Part Number

C **X** **2** - **S** **0** - **03** - **810** - **3** **2** **A** - **06** **14**

Selection 1 2 3 4 5 6 7 8 9 10 11 12

1. SERIES

C

2. ACTUATOR

X Handle, one per pole

3. POLES ^{1,2}

2 Two
3 Three
4 Four
5 Five

4. CIRCUIT

S Switch Only

5. RELAY TRIP VOLTAGE COIL RATING ^{1,2}

0 Without Relay Trip Voltage Coil
A 12 VDC
B 24 VDC
C 32 VDC
D 48 VDC

6. FREQUENCY & DELAY

03 DC Switch Only

7. CURRENT RATING (AMPERES) ^{1,3}

2-Pole Section
810 50A - 100A

4-Pole Section
917 110A - 175A

8. TERMINAL ^{4,5}

3 Stud, 1/4-20
6 Stud, M6
A Stud, 1/4-20, with 10-32 Screw Terminals on Voltage Pole
B Stud, M6, with M5 Screw Terminals on Voltage Pole

9 ACTUATOR COLOR & LEGEND

Actuator Color	I-O	ON-OFF	Dual	Legend Color
White	A	B	1	Black
Black	C	D	2	White
Red	F	G	3	White
Green	H	J	4	White
Blue	K	L	5	White
Yellow	M	N	6	Black
Gray	P	Q	7	Black
Orange	R	S	8	Black

10. MOUNTING INSERTS

A 6-32 Thread
B M3 Thread

11. MAXIMUM APPLICATION RATING

06 600 VDC

12. AGENCY APPROVAL

A Without Approvals
14 UL489B Listed

Notes:

- 2 Pole Unit is required for ratings between 50A - 100A.
4 Pole Unit is required for ratings between 110A - 175A.
- A Relay Trip Voltage Coil Pole may be added to either the 2 or 4 Pole construction.
The addition of this extra pole dictates a change in the designation for the number of poles in selection 3.
- For Current Ratings between 50A - 100A select current code 810 (100A).
For Current Ratings between 110A - 175A select current code 917 (175A).
- Voltage Pole must have screw terminals.
Switch Pole must have stud terminals.
- On 3 Pole Unit, Voltage Pole to be located at P1 as standard.
On 5 Pole Unit, Voltage Pole to be located at P3 as standard.

[Configure Complete Part Number >](#)

[Browse Standard Parts >](#)

Ordering Scheme UL 1077 Recognized

Sample Part Number

C X 1 - B 0 - 14 - 620 - 2 2 A - 10 C

Selection 1 2 3 4 5 6 7 8 9 10 11 12

1. SERIES

C

2. ACTUATOR

X Handle, one per pole

3. POLES ⁷

1 One 3 Three
2 Two 4 Four¹⁰

4. CIRCUIT

A Switch Only (no coil)^{1, 9}
B Series Trip (current)
G Relay Trip (voltage)^{1, 2, 3, 9}

5. AUXILIARY SWITCH

0 Without Aux Switch

6. FREQUENCY & DELAY

03 DC 50/60Hz, Switch Only
10 DC Instantaneous
11 DC Ultra Short
12 DC Short
14 DC Medium
16 DC Long

7. CURRENT RATING (AMPERES)

CODE	AMPERES				
220	0.200	415	1.500	490	9.000
225	0.250	517	1.750	495	9.500
230	0.300	420	2.000	610	10.000
235	0.350	522	2.250	710	10.500
240	0.400	425	2.500	611	11.000
245	0.450	527	2.750	711	11.500
250	0.500	430	3.000	612	12.000
255	0.550	435	3.500	712	12.500
260	0.600	440	4.000	613	13.000
265	0.650	445	4.500	614	14.000
270	0.700	450	5.000	615	15.000
275	0.750	455	5.500	616	16.000
280	0.800	460	6.000	617	17.000
285	0.850	465	6.500	618	18.000
290	0.900	470	7.000	620	20.000
295	0.950	475	7.500	622	22.000
410	1.000	480	8.000	624	24.000
512	1.250	485	8.500	625	25.000

8. TERMINAL ⁸

2 Screw, 10-32
3 Stud, 1/4-20
5 Screw, M5
6 Stud, M6

9 ACTUATOR COLOR & LEGEND

Actuator Color	I-O	ON-OFF	Dual	Legend Color
White	A	B	1	Black
Black	C	D	2	White
Red	F	G	3	White
Green	H	J	4	White
Blue	K	L	5	White
Yellow	M	N	6	Black
Gray	P	Q	7	Black
Orange	R	S	8	Black

10. MOUNTING INSERTS

A 6-32 Thread
B M3 Thread

11. MAXIMUM APPLICATION RATING

10 300VDC
11 440 VDC without factory installed terminal bus⁴
14 440VDC with factory installed terminal bus⁴
06 600VDC⁵
18 220/440VDC¹¹

12. AGENCY APPROVAL

A Without Approvals
C UL 1077 Recognized
W UL 1077 Recognized & TUV Certified IEC/ EN 60947-2⁹

Notes:

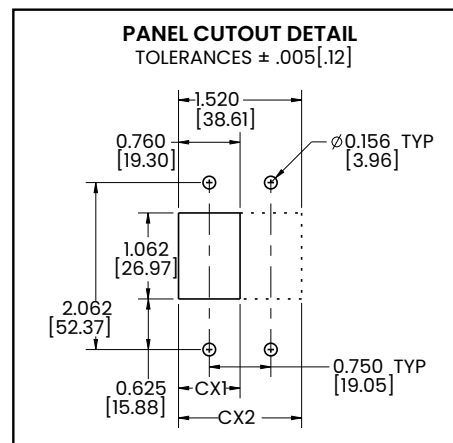
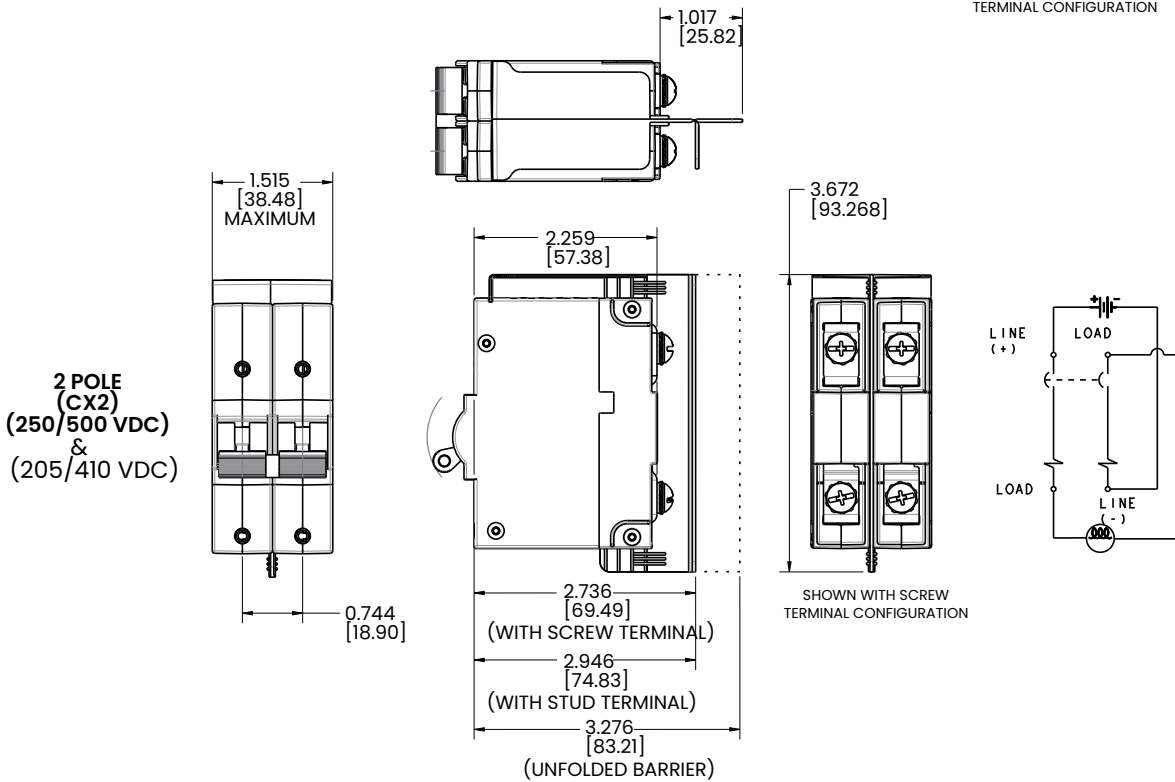
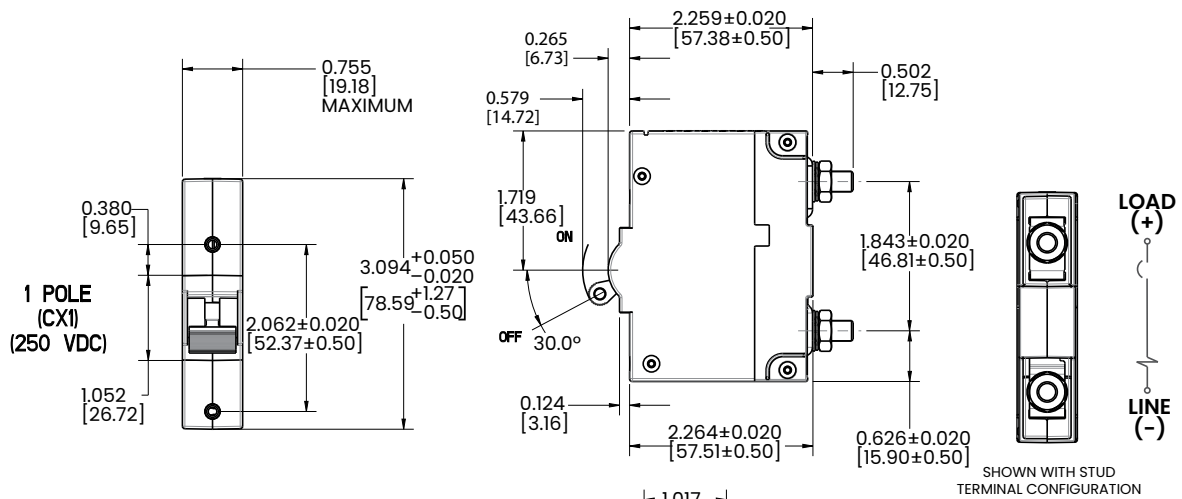
- 1 Only available when tied to a protected pole. Requires special part number consult factory for details
- 2 Voltage trip circuit coil not rated for continuous duty - use instantaneous delay code 10
- 3 Contacts Rated for 20A @ 80 VDC
- 4 440 VDC Rating available in two different wiring configurations.
- 5 600 VDC only available with factory installed terminal bus.
- 6 Single pole units available up to 125A, multi pole units limited to 115A Max.
- 7 3 Pole units must include one Auxiliary switch pole (circuit code A or G) - Requires Special Part Number. Unless breaker is rated 220/440 VDC (Voltage Code 18) in which case Circuit Code B is required.
- 8 Screw Terminals are limited to 50A max.
- 9 Agency approval code W only available with 440 VDC or 220/440 VDC rating and circuit code B.
- 10 4 Pole 600 VDC units only available up to 75A Max.
- 11 3 Pole 220/440 VDC units only available in one specific wiring configuration. See dimensional specifications pages for more details

[Configure Complete Part Number >](#)

[Browse Standard Parts >](#)

Dimensional Specs UL 489 Listed

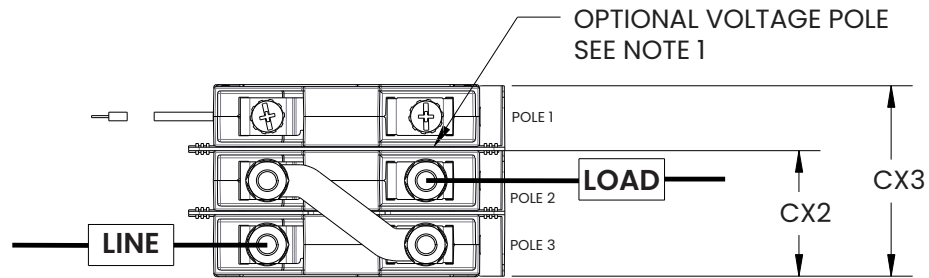
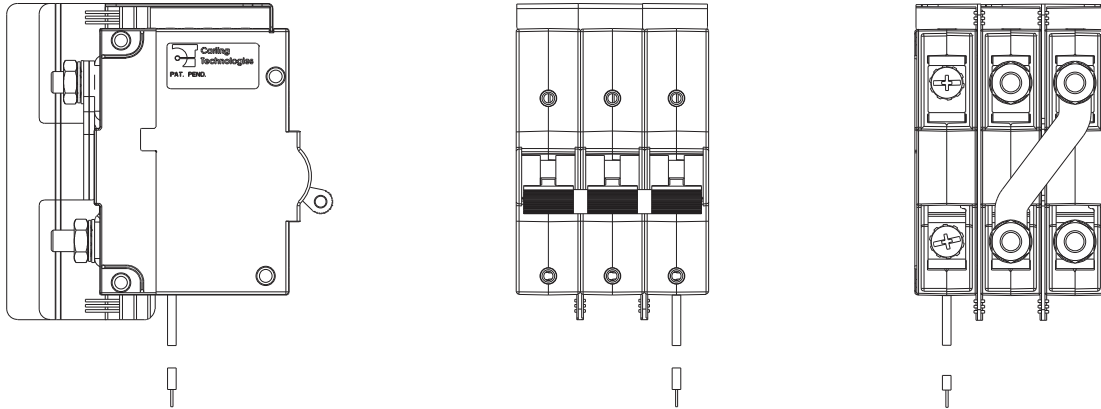
inches [millimeters]



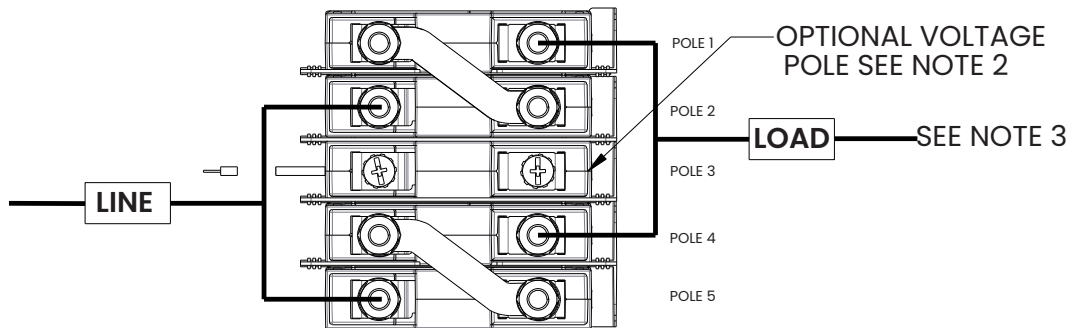
Notes:
1 600V Rating requires minimum of 2 protected poles

Dimensional Specs UL 489B Listed

inches [millimeters]



CX3-2 POLE SWITCH (CX2) SHOWN
WITH OPTIONAL VOLTAGE POLE
50A-100A DEVICE, 600VDC



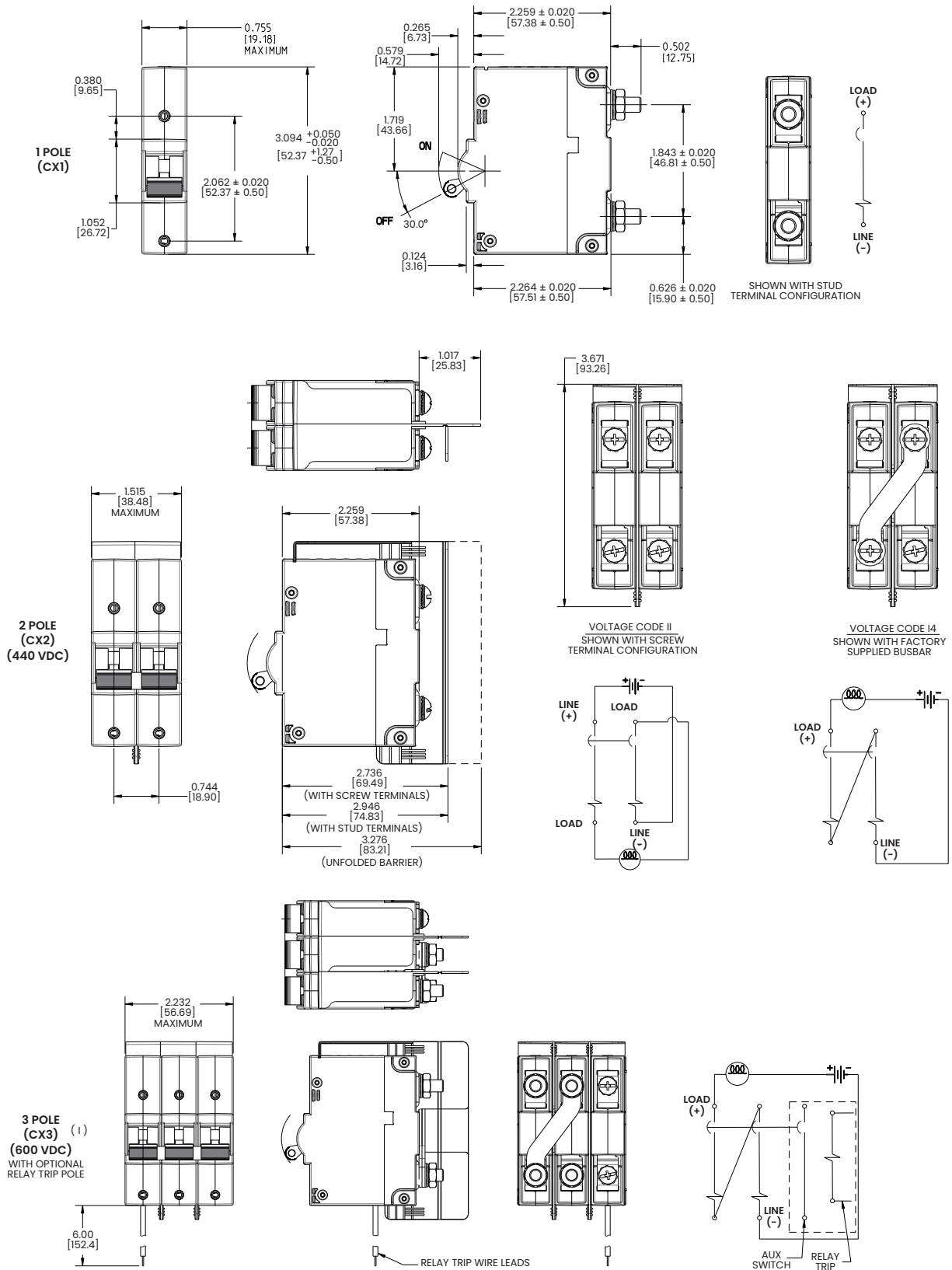
CX5-4 POLE SWITCH (CX4) SHOWN
WITH OPTIONAL VOLTAGE POLE
101A-175A DEVICE, 600VDC

Notes:

- 1 3 pole configuration supplied with voltage coil on pole 1. Optional location pole 3. Consult factory.
- 2 5 pole configuration supplied with voltage coil in center pole. (Pole 3)
- 3 Line & Load connections requires bus connection as shown.
Minimum cross section .127 in² (81.94 mm²)

Dimensional Specs UL 1077 Recognized

inches [millimeters]

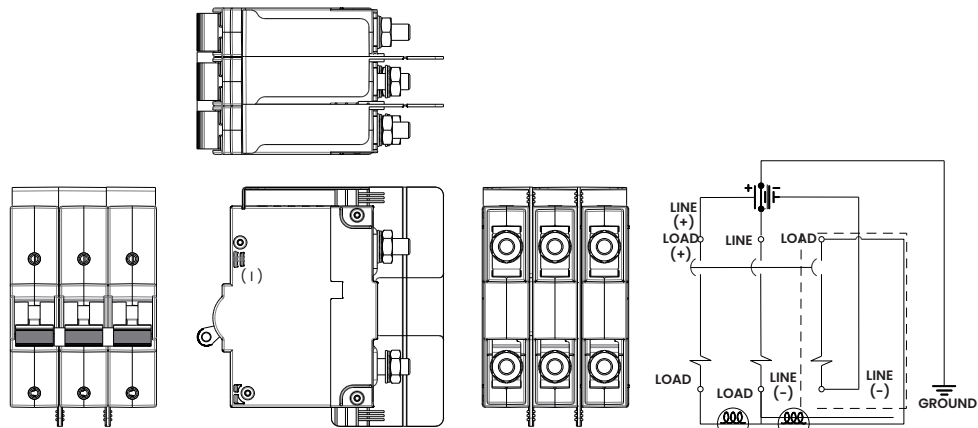


Notes:
 1 600V Rating requires minimum of 2 protected poles

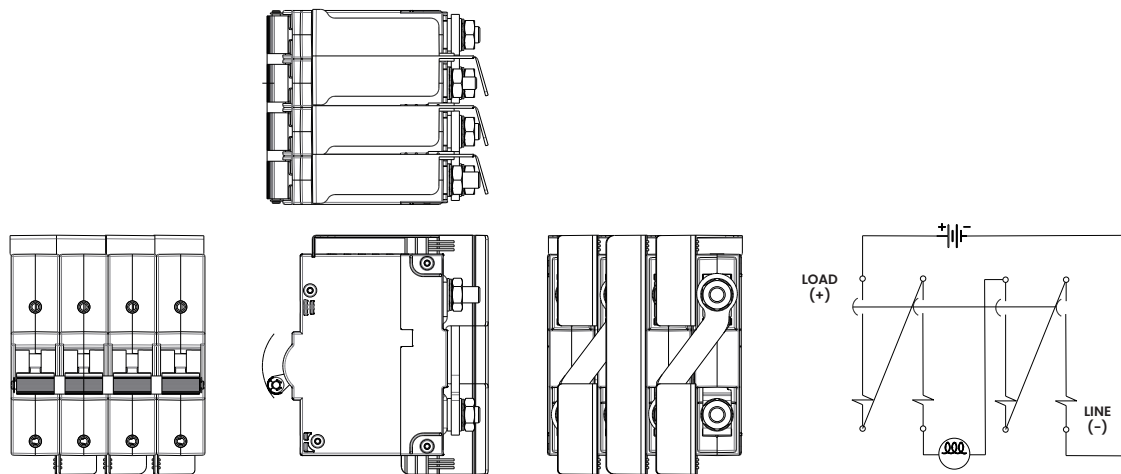
Dimensional Specs UL 1077 Recognized

inches [millimeters]

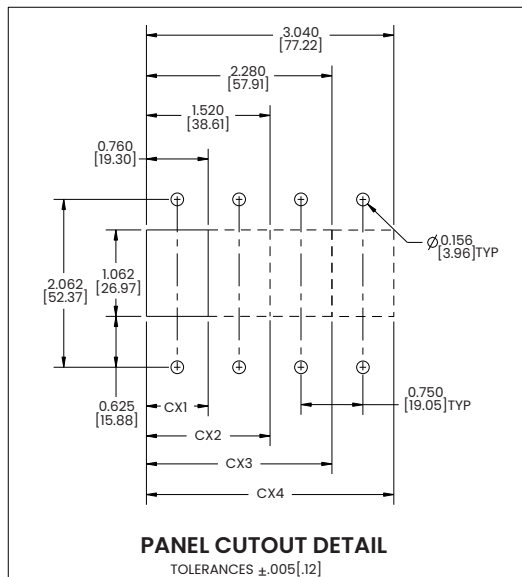
**3 POLE
(CX3)
(220/440 VDC)**



**4 POLE
(CX4) (1,2)
(600 VDC)**



(2) FOUR POLE UNIT AVAILABLE UP TO 75A MAXIMUM



Notes:

- 1 600V Rating requires minimum of 2 protected poles

Authorized Sales Representatives and Distributors

Click on a region of the map below to find your local representatives and distributors or visit www.carlingtech.com/findarep.



About Carling

Founded in 1920, Carling Technologies is a leading manufacturer of electrical and electronic switches and assemblies, circuit breakers, electronic controls, power distribution units, and multiplexed power distribution systems. With six ISO9001 and IATF16949 registered manufacturing facilities and technical sales offices worldwide, Carling Technologies Sales, Service and Engineering teams do much more than manufacture electrical components, they engineer powerful solutions! To learn more about Carling please visit www.carlingtech.com/company-profile.

To view all of Carling's environmental, quality, health & safety certifications please visit www.carlingtech.com/environmental-certifications.

X-ON Electronics

Largest Supplier of Electrical and Electronic Components

Click to view similar products for [Circuit Breakers](#) category:

Click to view products by [Carling](#) manufacturer:

Other Similar products are found below :

[LUGZX66-1-61-20.0-44](#) [M39019/01-201S](#) [M39019/01-221](#) [M39019/01-323](#) [M39019/01-333](#) [M39019/01-336](#) [M39019/02-248](#) [M39019/02-311](#) [M39019/02-316](#) [M39019/04-249S](#) [M39019/05-246S](#) [M39019/06-254S](#) [M55629/1-016](#) [M55629/1-018](#) [M55629/1-021](#) [M55629/1-033](#) [M55629/1-036](#) [M55629/1-046](#) [M55629/1-048](#) [M55629/1-058](#) [M55629/1-067](#) [M55629/1-070](#) [M55629/1-079](#) [M55629/1-084](#) [M55629/1-085](#) [M55629/1-101](#) [M55629/1-109](#) [M55629/11-102](#) [M55629/1-120](#) [M55629/12-045](#) [M55629/12-046](#) [M55629/1-330](#) [M55629/1-366](#) [M55629/1-387](#) [M55629/1-401](#) [M55629/1-450](#) [M55629/2-022](#) [M55629/2-030](#) [M55629/2-072](#) [M55629/2-082](#) [M55629/2-099](#) [M55629/2-101](#) [M55629/2-102](#) [M55629/21-BM-BM](#) [M55629/21-HM-HM](#) [M55629/21-NS-NS](#) [M55629/22-NR-NR-NR](#) [M55629/22-RS-RS-RS](#) [M55629/2-347](#) [M55629/2-401](#)