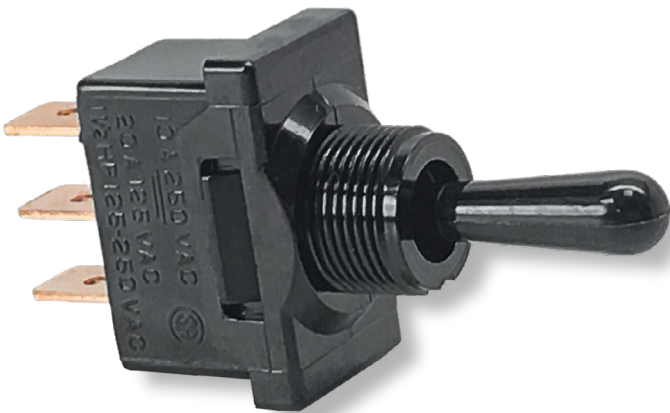
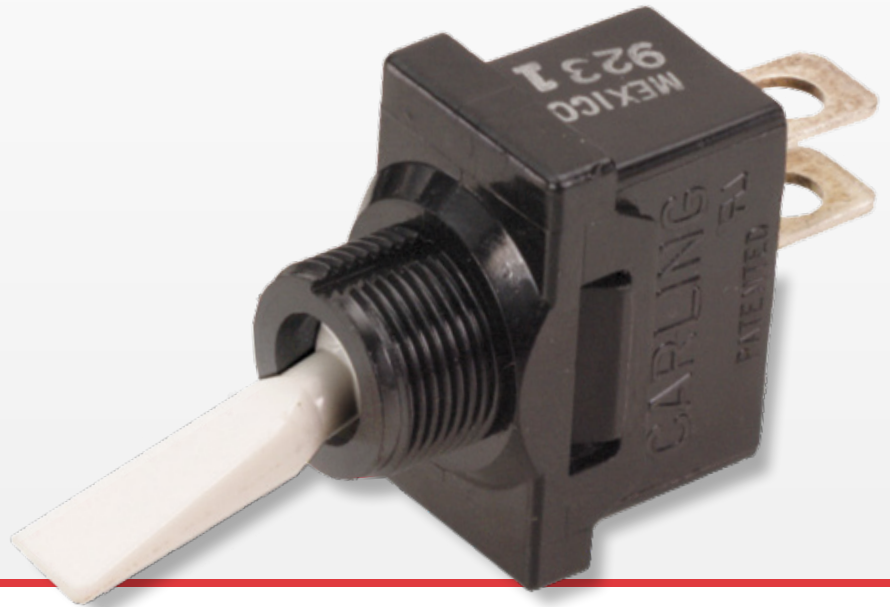


D-Series

Single Pole Toggle Switches

[PRODUCT WEBPAGE](#)

request sample, configure part



The D-Series single pole compact high current toggle switches are ideal for applications with back panel size constraints. These switches feature self-cleaning contacts and ratings up to 20A 125VAC, 10A 250VAC, 1 1/2 HP 125-250VAC. With an economical double insulated all nylon construction, these switches figure prominently in markets with stringent current carrying requirements.

1 Pole **5-20** Amps **125, 250** VAC

Typical Applications

- Environmental Controls
- Marine
- Food Service
- Vacuum Cleaners

Tech Specs

Dielectric Strength

1000V - live to dead metal parts and opposite polarity.

Electrical Life

25,000 cycles

Operating Temperature

32°F to 185°F (0°C to 85°C)

Ordering Scheme

Sample Part Number **DA221 - P - B - B**

Selection 1 2 3 4

1. SERIES

10A 250VAC, 20A 125VAC, 1 1/2 HP 125-250VAC
 Solder Lug .250 Tab Wire Leads
 On-None-Off **DA220 DA221 DA225**
 On-None-On **DB220 DB221 DB225**
 On-Off-On **DC220 DC221 DC225**

2. ACTUATOR STYLE

B Bat **P** Paddle

3. ACTUATOR COLOR ²

B Black **W** White

4. BUSHING COLOR ²

B Black **W** White

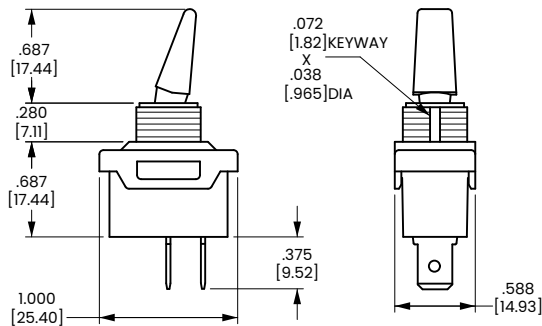
Notes:
 1 DA945 available with wire leads and ON-OFF circuit only.
 2 Additional colors available. Please consult factory.

[Configure Complete Part Number >](#)

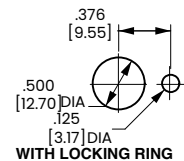
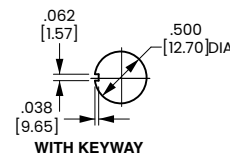
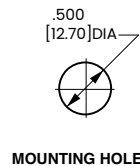
[Browse Standard Parts >](#)

Dimensional Specs

inches [millimeters]



 .156 DIA [3.96] .375 [9.52] .250 [6.35]	 .069 [1.75] DIA .250 [6.35]	 6.000 [152.4] .500 [12.70]
SOLDER LUG	.250 TAB (Q.C.)	INTEGRATED WIRE LEAD (no exposed conductors)
TERMINAL TYPE		



Authorized Sales Representatives and Distributors

Click on a region of the map below to find your local representatives and distributors or visit www.carlingtech.com/findarep.



About Carling

Founded in 1920, Carling Technologies is a leading manufacturer of electrical and electronic switches and assemblies, circuit breakers, electronic controls, power distribution units, and multiplexed power distribution systems. With six ISO9001 and IATF16949 registered manufacturing facilities and technical sales offices worldwide, Carling Technologies Sales, Service and Engineering teams do much more than manufacture electrical components, they engineer powerful solutions! To learn more about Carling please visit www.carlingtech.com/company-profile.

To view all of Carling's environmental, quality, health & safety certifications please visit www.carlingtech.com/environmental-certifications.

© Carling Technologies, Inc.

3. Carling is a registered trademark of Carling Technologies, Inc. in the U.S. and other countries.

X-ON Electronics

Largest Supplier of Electrical and Electronic Components

Click to view similar products for [Toggle Switches](#) category:

Click to view products by [Carling](#) manufacturer:

Other Similar products are found below :

[8928K478](#) [8A1-C-222](#) [020017-13](#) [60012L](#) [6006L](#) [CS115W](#) [CS120W](#) [6663](#) [7101SPDV30BE](#) [7103SDV30BE](#) [7105D](#) [7108P3YAV2BE](#)
[71YY50282](#) [7300K36](#) [7301K38](#) [7306K36](#) [7310K36](#) [7506K4](#) [7592K6](#) [7660K12](#) [7691K14](#) [7700K1](#) [8391K108](#) [8396K108](#) [8811K17](#)
[8812K14](#) [8824K14](#) [8828K13](#) [8835K3](#) [8858K44](#) [PS83-121G](#) [1-1825192-0](#) [A201SCWZB04](#) [A207SYCB04](#) [A208J61ZQ0004](#) [A221T1TCQ](#)
[A323S1CWZQ](#) [A423S1CWZG-M8](#) [1201W](#) [12156AX408](#) [12147AGKX679](#) [12246X778](#) [12TW49-3D](#) [130312](#) [13037L](#) [13001X](#)
[AE101MD1W4B04](#) [AE208SD1W4B04](#) [MS24659-22D](#) [MS27407-5](#)