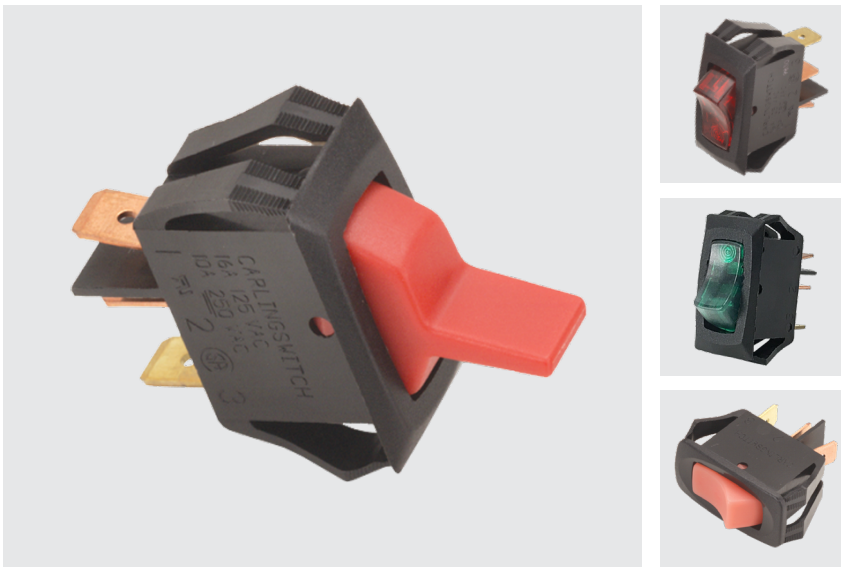


CURVETTE

LRA-Series

SINGLE POLE LIGHTED ROCKER & PADDLE SWITCHES

Since its introduction, the Curvette switch has become the barometer for versatility and performance in the miniature switch market. This lighted version features the very same self cleaning contacts, international approvals, along with a wide variety of circuits, ratings, and actuator options that make the Curvette the switch of choice for various applications.



Product Highlights:

- Clear or translucent style rockers
- Neon or Incandescent illumination
- Self-cleaning wiping style contacts
- UL, CSA and VDE approved

Typical Applications:

- HVAC
- Office Lighting
- Transportation
- Commercial Food
- Lawn & Garden
- Power Strip



Dielectric Strength

UL/CSA: 1000V-live to dead metal parts
 VDE: 4000V - live to dead metal parts;
 750V - across open contacts

Electrical Life

100,000 cycles

Operating Temperature

32°F to 185°F (0°C to 85°C)

LRA911 - R S - B / 250N

1 Base Part Number

2 Actuator Style

3 Actuator Color

4 Bezel Color/Style

5 Lamp Voltage

1 BASE PART NUMBER: SERIES / CIRCUITRY / RATING ² / TERMINATION

125 neon lamp (use 125N in Selection 5 Lamp Voltage)

10A 250VAC; 16A 125VAC; 10(4)A 125VACu

OFF-NONE-ON	Solder Lugs	.250 Tabs	Wire Leads
	LRA210	LRA211	LRA215

250 neon lamp (select 250N in selection 5 Lamp Voltage)

15A 250 VAC; 10A 250VAC; 16A 125VAC; 10(4)A 250 T85

OFF-NONE-ON	Solder Lugs	.250 Tabs	Wire Leads
	LRA910	LRA911	LRA915

Incandescent lamp (select 006V-024V in selection 5 Lamp Voltage)

10A 30V

OFF-NONE-ON	Solder Lugs	.250 Tabs	Wire Leads
	LRA510	LRA511	LRA515

2 ACTUATOR STYLE

- P** Paddle
- R** Rocker translucent
- C** Rocker Clear

3 ACTUATOR COLOR

translucent

- A** Amber
- C** White
- P** Yellow
- S** Red
- W** Pale Red

clear

- A** Amber
- C** Clear
- G**¹ Green
- B**¹ Blue
- R** Red

4 BEZEL COLOR/STYLE

STANDARD

- B** Black (matte)
- W** White (matte)



OVAL

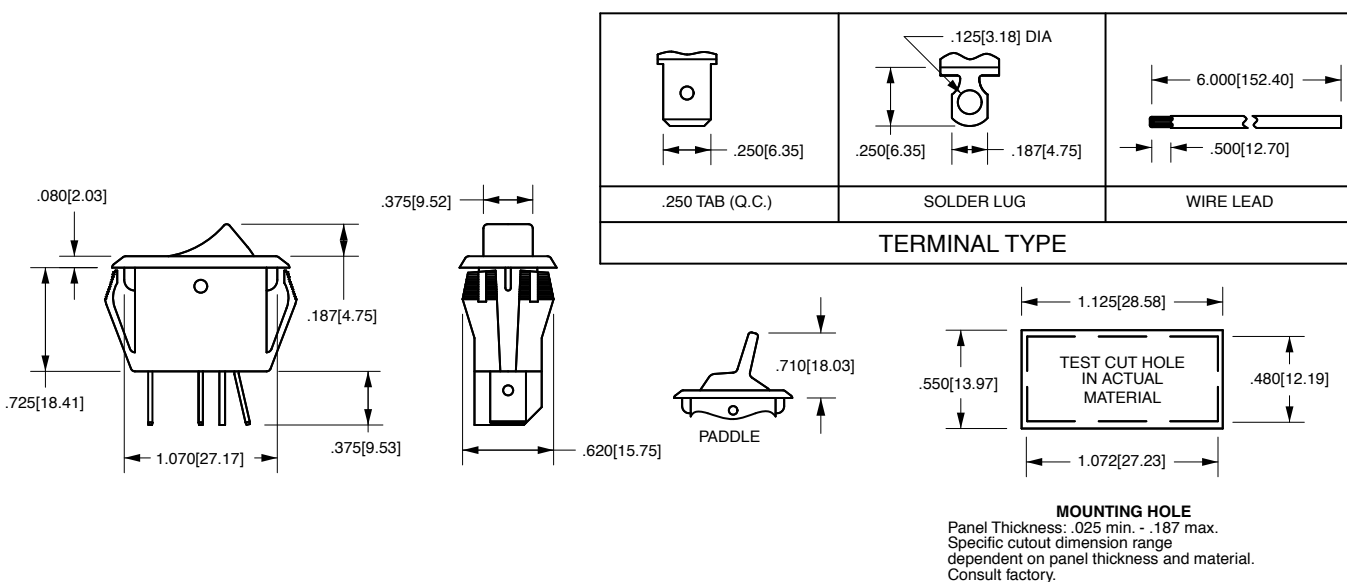
- 1** Black (gloss)
- 2** White (gloss)



5 LAMP VOLTAGE

- 006V** 6 volts incandescent
- 012V** 12 volts incandescent
- 018V** 18 volts incandescent
- 024V** 24 volts incandescent
- 125N**¹ 125 volts neon
- 250N**¹ 250 volts neon

Notes:
 LED illumination, PC terminals, independent lamps, and additional color options are available. Consult factory.
¹ Neon lamps not available with blue or green actuators.
² Consult factory for additional ratings.



*Manufacturer reserves the right to change product specification without prior notice.

Authorized Sales Representatives and Distributors

Click on a region of the map below to find your local representatives and distributors or visit www.carlingtech.com/findarep.



About Carling

Founded in 1920, Carling Technologies is a leading manufacturer of electrical and electronic switches and assemblies, circuit breakers, electronic controls, power distribution units, and multiplexed power distribution systems. With four ISO9001 and IATF16949 registered manufacturing facilities and technical sales offices worldwide, Carling Technologies Sales, Service and Engineering teams do much more than manufacture electrical components, they engineer powerful solutions! To learn more about Carling please visit www.carlingtech.com/company-profile.

To view all of Carling's environmental, quality, health & safety certifications please visit www.carlingtech.com/environmental-certifications

Worldwide Headquarters

Carling Technologies, Inc.
60 Johnson Avenue, Plainville, CT 06062
Phone: 860.793.9281 **Fax:** 860.793.9231
Email: sales@carlingtech.com

Northern Region Sales Office: nrsm@carlingtech.com
Southeast Region Sales Office: sersm@carlingtech.com
Midwest Region Sales Office: mrrsm@carlingtech.com
West Region Sales Office: wrsm@carlingtech.com
Latin America Sales Office: larsm@carlingtech.com

Asia-Pacific Headquarters

Carling Technologies, Asia-Pacific Ltd.,
Suite 1607, 16/F Tower 2, The Gateway,
Harbour City, 25 Canton Road,
Tsimshatsui, Kowloon, Hong Kong
Phone: Int + 852-2737-2277 **Fax:** Int + 852-2736-9332
Email: sales@carlingtech.com.hk

Shenzhen, China: shenzhen@carlingtech.com
Shanghai, China: shanghai@carlingtech.com
Pune, India: india@carlingtech.com
Kaohsiung, Taiwan: taiwan@carlingtech.com
Yokohama, Japan: japan@carlingtech.com

Europe | Middle East | Africa Headquarters

Carling Technologies LTD
4 Airport Business Park, Exeter Airport,
Clyst Honiton, Exeter, Devon, EX5 2UL, UK
Phone: Int + 44 1392.364422 **Fax:** Int + 44 1392.364477
Email: ltd.sales@carlingtech.com

Germany: gmbh@carlingtech.com
France: sas@carlingtech.com



Carling Technologies®

Innovative Designs. Powerful Solutions.

X-ON Electronics

Largest Supplier of Electrical and Electronic Components

Click to view similar products for [Toggle Switches](#) category:

Click to view products by [Carling](#) manufacturer:

Other Similar products are found below :

[A19HV](#) [8A1-C-222](#) [60012L](#) [6006L](#) [6663](#) [7101MD9V30GE](#) [7101SPDV30BE](#) [7103SDV30BE](#) [7105D](#) [7108P3YAV2BE](#) [71YY50282](#)
[7201MD9AVBE](#) [7301K38](#) [7306K36](#) [7310K36](#) [7314K36](#) [7506K4](#) [7592K6](#) [7691K14](#) [7700K1](#) [8396K108](#) [8824K14](#) [8828K13](#) [G2VX](#) [G3VX](#)
[PS83-121G](#) [A101MD9AB04](#) [A101SD9AB04](#) [A101SDCQ04](#) [A103SD9AQ04](#) [A107TZB04](#) [A123P32YZQ](#) [A123S1YZG](#) [A127S1YCQ](#) [1-](#)
[1825192-0](#) [A131S1YZQ](#) [A201SCWZB04](#) [A207SYCB04](#) [A208J61ZQ0004](#) [A221K12KAG](#) [A221S1YZQ](#) [A221T1TCQ](#) [A232K12KZQ](#)
[A232M1YCQ](#) [A323S1CWZQ](#) [A423S1CWZG-M8](#) [A423S1YZQ](#) [12149A-3V](#) [12156AX408](#) [12147AGKX679](#)