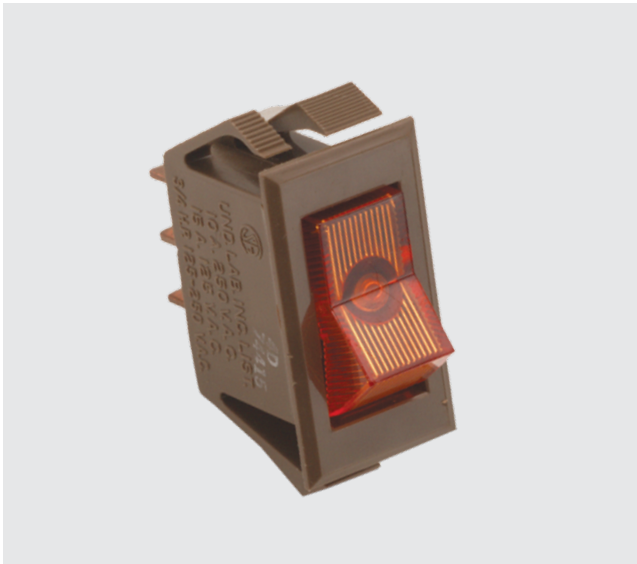


# LTA-Series

## SINGLE POLE LIGHTED ROCKER SWITCHES

The illuminated predecessor to the Curvette series whose versatility has allowed it to stand the test of time. Traditional styling coupled with self cleaning contacts, integrated wire leads, and various actuator choices has made the LTA-Series appeal to a wide range of markets.



### Product Highlights:

- Neon or Incandescent Illumination
- Long Paddle, Short Paddle or Rocker Actuators
- Good for 125/250VAC or Low Voltage DC Applications
- Integrated Wire Lead Construction

### Typical Applications:

- Appliance
- HVAC
- Food Service
- Transportation



### Dielectric Strength

UL/CSA:  
1000V - live to dead metal parts  
750V - across open contacts

### Electrical Life

100,000 cycles

### Operating Temperature

32°F to 185°F (0°C to 85°C)

**LTA201 - P R - B -A / 125N**

1  
Base Part Number

2  
Actuator  
Style

3  
Actuator  
Color

4  
Bezel  
Color/Style

5  
Lens  
Color

6  
Lamp Voltage

#### 1 BASE PART NUMBER: SERIES / CIRCUITRY / RATING 1 / TERMINATION

10A 250VAC; 15A 125VAC; 3/4 HP 125-250VAC  
OFF-NONE-ON    Solder Lugs    .250 Tabs    .187 Tabs    Wire Leads  
LTA200    LTA201    LTA203    LTA205

#### 2 ACTUATOR STYLE 3

T    Rocker    PS    Short Paddle  
P    Paddle

#### 3 ACTUATOR COLOR 1

A    Amber    B    Black 4  
C    Clear    W    White 4  
R    Red  
G    Green 2

#### 4 BEZEL COLOR 1

B    Black    W    White

#### 5 LENS COLOR 2,3

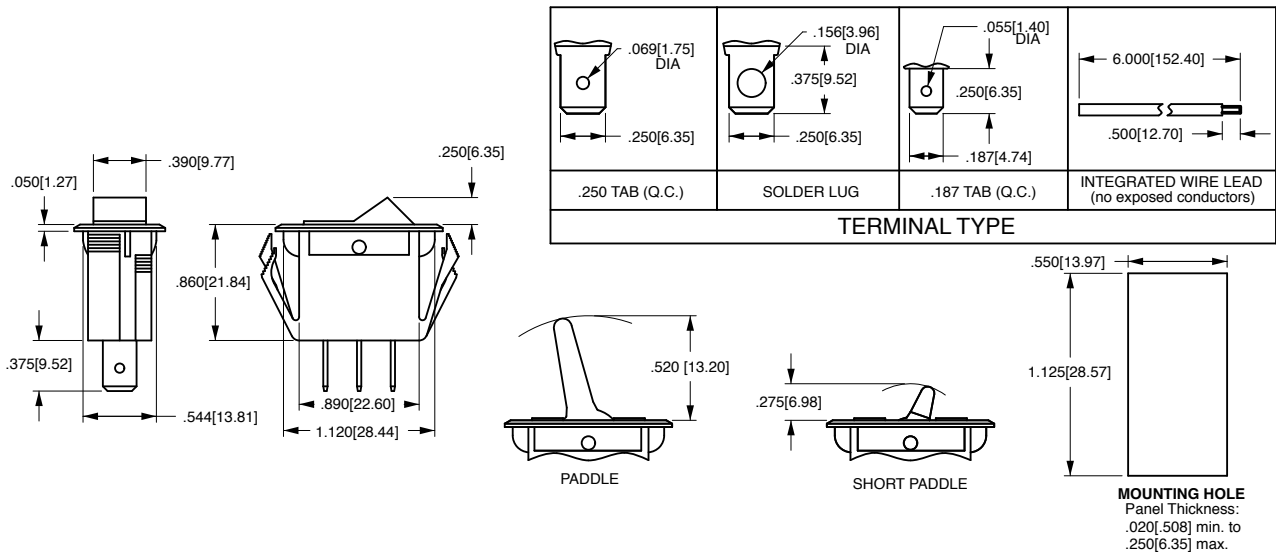
Blank    No Lens    -G    Green  
-A    Amber    -R    Red  
-C    Clear    -LU    Blue

#### 6 LAMP VOLTAGE 2

006V    6V incandescent    024V    24V incandescent  
012V    12V incandescent    125N    125V neon  
018V    18V incandescent    250N    250V neon

Notes:

- Additional ratings and colors are available. Consult factory for details.
- Neon lamps not recommended with green or blue rocker/lenses.
- Lens color is specified only if actuator style is P or PS. If style is T (rocker), then leave position 5 blank.
- Available with paddle ("P & PS") style actuators only.



\*Manufacturer reserves the right to change product specification without prior notice.

## Authorized Sales Representatives and Distributors

Click on a region of the map below to find your local representatives and distributors or visit [www.carlingtech.com/findarep](http://www.carlingtech.com/findarep).



## About Carling

Founded in 1920, Carling Technologies is a leading manufacturer of electrical and electronic switches and assemblies, circuit breakers, electronic controls, power distribution units, and multiplexed power distribution systems. With four ISO9001 and IATF16949 registered manufacturing facilities and technical sales offices worldwide, Carling Technologies Sales, Service and Engineering teams do much more than manufacture electrical components, they engineer powerful solutions! To learn more about Carling please visit [www.carlingtech.com/company-profile](http://www.carlingtech.com/company-profile).

To view all of Carling's environmental, quality, health & safety certifications please visit [www.carlingtech.com/environmental-certifications](http://www.carlingtech.com/environmental-certifications)

## **Worldwide Headquarters**

Carling Technologies, Inc.  
60 Johnson Avenue, Plainville, CT 06062  
**Phone:** 860.793.9281 **Fax:** 860.793.9231  
**Email:** sales@carlingtech.com

**Northern Region Sales Office:** nrsm@carlingtech.com  
**Southeast Region Sales Office:** sersm@carlingtech.com  
**Midwest Region Sales Office:** mrrsm@carlingtech.com  
**West Region Sales Office:** wrsm@carlingtech.com  
**Latin America Sales Office:** larsm@carlingtech.com

## **Asia-Pacific Headquarters**

Carling Technologies, Asia-Pacific Ltd.,  
Suite 1607, 16/F Tower 2, The Gateway,  
Harbour City, 25 Canton Road,  
Tsimshatsui, Kowloon, Hong Kong  
**Phone:** Int + 852-2737-2277 **Fax:** Int + 852-2736-9332  
**Email:** sales@carlingtech.com.hk

**Shenzhen, China:** shenzhen@carlingtech.com  
**Shanghai, China:** shanghai@carlingtech.com  
**Pune, India:** india@carlingtech.com  
**Kaohsiung, Taiwan:** taiwan@carlingtech.com  
**Yokohama, Japan:** japan@carlingtech.com

## **Europe | Middle East | Africa Headquarters**

Carling Technologies LTD  
4 Airport Business Park, Exeter Airport,  
Clyst Honiton, Exeter, Devon, EX5 2UL, UK  
**Phone:** Int + 44 1392.364422 **Fax:** Int + 44 1392.364477  
**Email:** ltd.sales@carlingtech.com

**Germany:** gmbh@carlingtech.com  
**France:** sas@carlingtech.com



**Carling Technologies®**

Innovative Designs. Powerful Solutions.

## X-ON Electronics

Largest Supplier of Electrical and Electronic Components

*Click to view similar products for [Rocker Switches](#) category:*

*Click to view products by [Carling](#) manufacturer:*

Other Similar products are found below :

[VKD2GHNB-00000-000](#) [VSD2GNNB-00000-000](#) [6-1571986-5](#) [6-1571986-9](#) [8055K52Z7V](#) [8138K20E6M50](#) [FMC18A2200002](#) [84206L](#)  
[84312LX](#) [PREDD4-07F-BB0FW](#) [PREDD5-07F-BB0GW](#) [PRFDD1-16F-BB000](#) [PRFDD3-16F-BB000](#) [1-1634201-0](#) [999-16702-001](#)  
[A101J2ZQ004](#) [A101J4ZQ004](#) [A101J51CB0004](#) [A107J51ZQ0004](#) [A201J1AQ004](#) [A201J1AV2Q004](#) [A201J3ZB004](#) [A201J50ZQ004](#)  
[A203J51ZQ0004](#) [A226L11YZQ](#) [A22L11A](#) [A435S1YZQ](#) [H8500XBBBBL-A](#) [H8653VBBG2577W](#) [HB130CHNWWNAAC](#) [1251.0303](#)  
[AE205J60V3B004](#) [RH110C2NBB](#) [1352.0107](#) [1363.0201](#) [AML25GBF2AA03GR](#) [1571099-3](#) [1571987-4](#) [1571987-5](#) [1571989-7](#)  
[B123J77V7B2](#) [B226J50W4Q22P](#) [B433J37ZQ22M](#) [160212E](#) [1801.1164](#) [1831.1102](#) [1833.3402](#) [1837.1118](#) [1838.8302](#) [1839.1502](#)