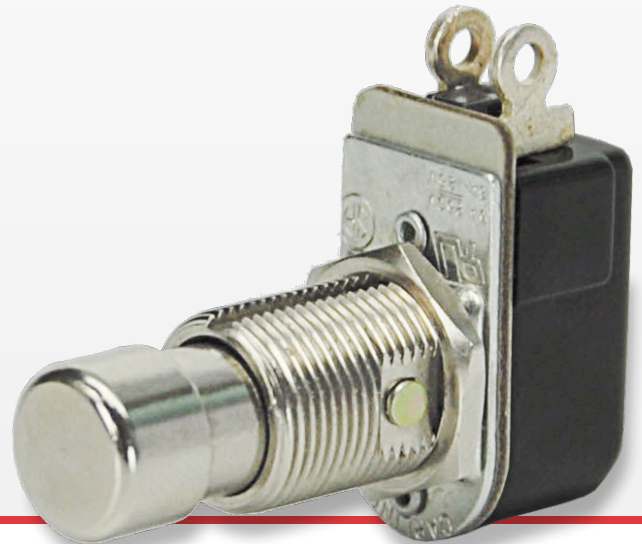


# P26-Series

Pushbutton Switches

**PRODUCT WEBPAGE**

*request sample, configure part*



The P26-Series pushbutton switches are single pole, AC rated for 6 amps at 125 VAC and suitable for shallow back panel applications. These switches are momentary action with a medium actuation force (13 oz. typical). The P26-Series switch is equipped with a slow-make, slow-break contact mechanism.

<b>1</b>	<b>3-6</b>	<b>125-277</b>	<b>125</b>
Pole	Amps	VAC	VDC

## Typical Applications

- Intercoms
- Security System
- Electronic Signs
- Marine
- Lighting

# Tech Specs

## Dielectric Strength

UL/CSA: 1000V - live to dead metal parts

## Electrical Life

25,000 cycles

## Operating Temperature

32°F to 185°F (0°C to 85°C)

# Ordering Scheme

Sample Part Number **P26L - 1D - BL**

Selection 1 2 3

### 1. SERIES

Single Pole	Solder Lug	.250 Tab	Wire Leads
<b>3A 250VAC, 6A 125 VAC, 3/4A 125V</b>	<b>P26A</b>	<b>P26B</b>	<b>P26F</b>
Off - (On)			
On - (Off)	<b>P26L</b>	-	<b>P26T</b>
<b>3A 277VAC, 6A 125 VAC<sup>1</sup></b>			
Off - (On)	<b>P267A</b>	<b>P267B</b>	<b>P267F</b>
On - (Off)	<b>P267L</b>	-	<b>P267T</b>

### 2. BUSHING STYLE

	length	diameter
<b>1A</b>	.406	.375
<b>1B</b>	.406	.468
<b>1C</b>	.465	.375
<b>1D<sup>3</sup></b>	.465	.468

### 3. BUTTON STYLE / COLOR

<b>BL</b>	Black Nylon	<b>RND MTL<sup>2</sup></b>	Round Metal
<b>RD</b>	Red Nylon	<b>CON MTL<sup>2</sup></b>	Concave Metal

#### Notes:

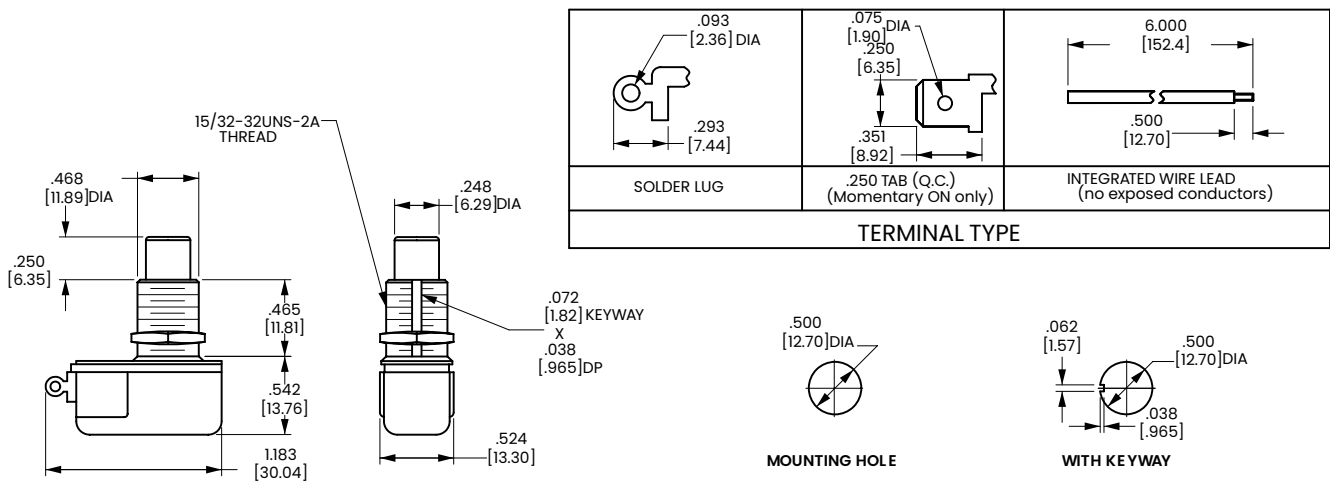
- Additional ratings available. Consult factory for details
  - Only available with 1D bushing in .562 length
  - Length is .562 for RND MTL and CON MTL buttons
- ( ) Indicates momentary function.

[Configure Complete Part Number >](#)

[Browse Standard Parts >](#)

# Dimensional Specs

inches [millimeters]



## Authorized Sales Representatives and Distributors

Click on a region of the map below to find your local representatives and distributors or visit [www.carlingtech.com/findarep](http://www.carlingtech.com/findarep).



## About Carling

Founded in 1920, Carling Technologies is a leading manufacturer of electrical and electronic switches and assemblies, circuit breakers, electronic controls, power distribution units, and multiplexed power distribution systems. With six ISO9001 and IATF16949 registered manufacturing facilities and technical sales offices worldwide, Carling Technologies Sales, Service and Engineering teams do much more than manufacture electrical components, they engineer powerful solutions! To learn more about Carling please visit [www.carlingtech.com/company-profile](http://www.carlingtech.com/company-profile).

To view all of Carling's environmental, quality, health & safety certifications please visit [www.carlingtech.com/environmental-certifications](http://www.carlingtech.com/environmental-certifications).

© Carling Technologies, Inc.

3. Carling is a registered trademark of Carling Technologies, Inc. in the U.S. and other countries.

## X-ON Electronics

Largest Supplier of Electrical and Electronic Components

*Click to view similar products for [Pushbutton Switches](#) category:*

*Click to view products by [Carling](#) manufacturer:*

Other Similar products are found below :

[8940K2012](#) [LW1L-M1C10V-A](#) [LW1L-M1C70-A](#) [LW2L-A1C20M-GD](#) [LW2L-M1C20M-A](#) [60324L](#) [M22-D-R-GB0/K11](#) [M7E-HRN2](#)  
[67021K512](#) [67081K512X](#) [701PB580](#) [7199K101](#) [810K12910](#) [810KSV30B](#) [MML21EA2ADK](#) [MML21KA3ABK](#) [MML23KA3AC05K-001](#)  
[MML23KW3AA01W](#) [8418K2](#) [8442K3](#) [8450K1](#) [860K11911T01A](#) [861901](#) [861K11911T01A07](#) [861K13810T00A14](#) [861K13911](#)  
[8646AB6X718UL](#) [8646ABUL](#) [9001KXRK](#) [907AYY100](#) [PMHD155A1](#) [9533CD4+U574+U4922](#) [95-414.000](#) [99-450.837](#) [99-453.837](#)  
[PV3H2B0NN-341](#) [1203MRA](#) [A22NZBGANGA](#) [A22NZBNANGA](#) [A22NZMPATRA](#) [A2PMA1X03EC56](#) [A3A-5123-02](#) [A3A-7140](#) [A3A-7310](#) [A3A-7340](#) [A3U-TMW-A2C-5M](#) [A595](#) [12037A2ULCSA](#) [ABD122N-B](#) [1211390004](#)