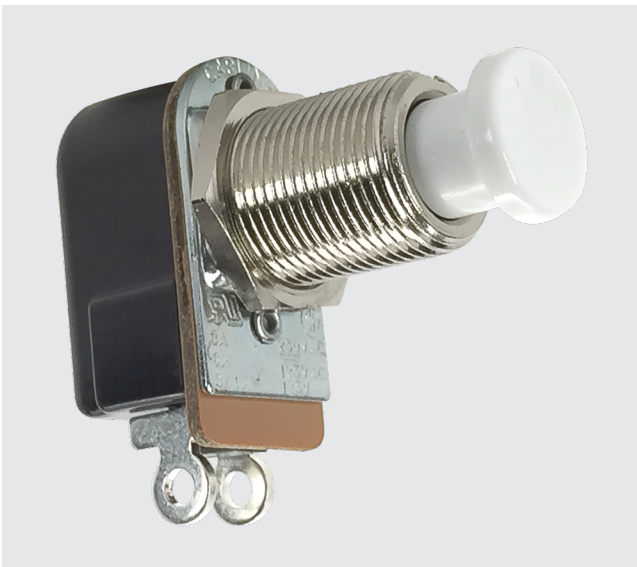


P27-Series

PUSHBUTTON SWITCHES

The P27-Series pushbutton switches are single pole, AC rated switches suitable for general purpose applications with a shallow back panel. These switches are momentary action with a medium actuation force (26 oz. typical). The P27-Series switch is equipped with a slow-make, slow-break contact mechanism, rated at 6 amps with a nylon concave pushbutton.



Product Highlights:

- Ratings to 6A 125VAC 3A 250VAC
- Momentary On or Momentary Off circuitry
- .250 Tab, Solder Lug or Wire Lead terminations
- Shallow space saving envelope

Typical Applications:

- Intercoms
- Security System
- Electronic Signs
- Marine



Dielectric Strength

UL/CSA: 1000V - live to dead metal parts

Electrical Life

25,000 cycles

Operating Temperature

32°F to 185°F (0°C to 85°C)

P27A - **BL**

¹
Base Part Number

²
Button Color

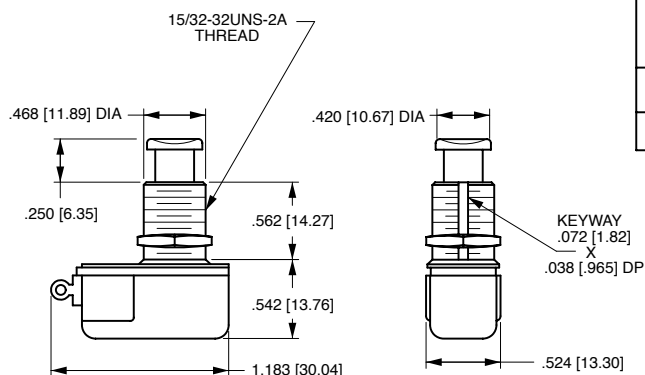
1 BASE PART NUMBER: SERIES / POLES / CIRCUITRY / RATING / TERMINATION

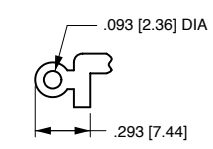
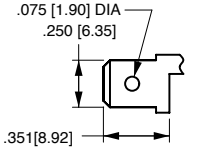
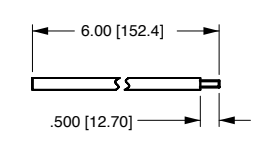
Single Pole	Solder Lug	.250 Tab	Wire Leads
3A 250VAC, 6A 125 VAC, 3/4A 125V			
Off - (On)	P27A	P27B	P27F
On - (Off)	P27L	-	P27T

3 BUTTON STYLE / COLOR

BL	Black
RD	Red
WH	White

Notes:
() Indicates momentary function.



 .093 [2.36] DIA .293 [7.44]	 .075 [1.90] DIA .250 [6.35] .351 [8.92]	 6.00 [152.4] .500 [12.70]
SOLDER LUG	.250 TAB (Q.C.) (Momentary ON only)	INTEGRATED WIRE LEAD (no exposed conductors)
TERMINAL TYPE		



*Manufacturer reserves the right to change product specification without prior notice.

Authorized Sales Representatives and Distributors

Click on a region of the map below to find your local representatives and distributors or visit www.carlingtech.com/findarep.



About Carling

Founded in 1920, Carling Technologies is a leading manufacturer of electrical and electronic switches and assemblies, circuit breakers, electronic controls, power distribution units, and multiplexed power distribution systems. With four ISO9001 and IATF16949 registered manufacturing facilities and technical sales offices worldwide, Carling Technologies Sales, Service and Engineering teams do much more than manufacture electrical components, they engineer powerful solutions! To learn more about Carling please visit www.carlingtech.com/company-profile.

To view all of Carling's environmental, quality, health & safety certifications please visit www.carlingtech.com/environmental-certifications

Worldwide Headquarters

Carling Technologies, Inc.
60 Johnson Avenue, Plainville, CT 06062
Phone: 860.793.9281 **Fax:** 860.793.9231
Email: sales@carlingtech.com

Northern Region Sales Office: nrsm@carlingtech.com
Southeast Region Sales Office: sersm@carlingtech.com
Midwest Region Sales Office: mrrsm@carlingtech.com
West Region Sales Office: wrsm@carlingtech.com
Latin America Sales Office: larsm@carlingtech.com

Asia-Pacific Headquarters

Carling Technologies, Asia-Pacific Ltd.,
Suite 1607, 16/F Tower 2, The Gateway,
Harbour City, 25 Canton Road,
Tsimshatsui, Kowloon, Hong Kong
Phone: Int + 852-2737-2277 **Fax:** Int + 852-2736-9332
Email: sales@carlingtech.com.hk

Shenzhen, China: shenzhen@carlingtech.com
Shanghai, China: shanghai@carlingtech.com
Pune, India: india@carlingtech.com
Kaohsiung, Taiwan: taiwan@carlingtech.com
Yokohama, Japan: japan@carlingtech.com

Europe | Middle East | Africa Headquarters

Carling Technologies LTD
4 Airport Business Park, Exeter Airport,
Clyst Honiton, Exeter, Devon, EX5 2UL, UK
Phone: Int + 44 1392.364422 **Fax:** Int + 44 1392.364477
Email: ltd.sales@carlingtech.com

Germany: gmbh@carlingtech.com
France: sas@carlingtech.com



Carling Technologies®

Innovative Designs. Powerful Solutions.

X-ON Electronics

Largest Supplier of Electrical and Electronic Components

Click to view similar products for [Pushbutton Switches](#) category:

Click to view products by [Carling](#) manufacturer:

Other Similar products are found below :

[LW1L-M1C10V-A](#) [LW2L-A1C20M-GD](#) [LW2L-M1C20M-A](#) [60324L](#) [M7E-HRN2](#) [67021K512](#) [67081K512X](#) [701PB580](#) [719-5504-000](#)
[MDPSSGLFS](#) [810KSV30B](#) [FLT 2U EE 01A](#) [MML21KA3ABK](#) [MML23KA3AC05K-001](#) [MML23KW3AA01W](#) [8418K2](#) [8646AB6X718UL](#)
[8646ABUL](#) [FSDWH](#) [9001KXRK](#) [9001T8BK](#) [9533CD4+U574+U4922](#) [1203MRA](#) [A22EM01S](#) [A595](#) [1202A6](#) [12037A2ULCSA](#) [1203A2UL](#)
[ABD122N-B](#) [1211390004](#) [ABN111-Y](#) [ABN400-R](#) [1211500044](#) [1211580012](#) [1212MRA](#) [1232A6NF](#) [RA3CSH6A](#) [1241.1183.7047](#)
[1241.2511](#) [1241.3428](#) [1223A2ULCSA](#) [1223MRA](#) [1232AX2119](#) [1241.1183.8000](#) [1241.1183.8029](#) [1241.2506](#) [1241.2606](#) [12MA6](#)
[1301940184](#) [RELBARF6X10\(PLASTIC\)](#)