

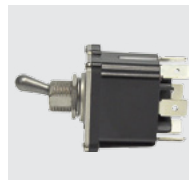
ST-Series

ST-Series

SEALED TOGGLE SWITCHES

Designed to comply with MIL-DTL-3950G requirements for environmentally sealed toggle switches, Carling Technologies® ST-Series Sealed Toggle Switch features innovative design and performance principles sure to withstand the most demanding applications.

The ST-Series features a toggle seal composed of dynamic silicone material that bonds to the metal toggle, pin and bushing, providing ideal sealing and protection against the environment, vibration and shock, while withstanding extreme temperature variations. It also utilizes up to three terminal seals per pole and an optional o-ring assures additional under panel sealing protection. All silicone seals on the ST-Series comply with A-A-59588 for silicone rubber performance specifications and, together, these features meet the international IEC 60529 standard for sealing performance to an IP68 level.



Resources:

[Download 3D CAD Files](#)

[IGS >](#) [STP >](#)

[Watch Product Video](#)



Product Highlights:

- Designed to comply with MIL-DTL-3950G requirements
- IEC 60529 IP68 sealing performance
- Toggle seal bonds to toggle, pin and bushing
- Complies with UL 61058-1 electrical spacing requirements

Typical Applications:

- Military Equipment
- Armored Vehicles
- Law Enforcement Vehicles
- Off-Highway Vehicles
- Applications requiring stringent sealing and performance capabilities



Carling Technologies®

Innovative Designs. Powerful Solutions.

Carling Technologies, Inc.

60 Johnson Avenue, Plainville, CT 06062

Email: sales@carlingtech.com

Application Support: team2@carlingtech.com

Phone: 860.793.9281 Fax: 860.793.9231

www.carlingtech.com

ST-Series Switch

DESIGN FEATURES

PINNED TOGGLE / BUSHING

Keeps metal toggle firmly in place and prevents rotation

BRASS ROLLER PIN

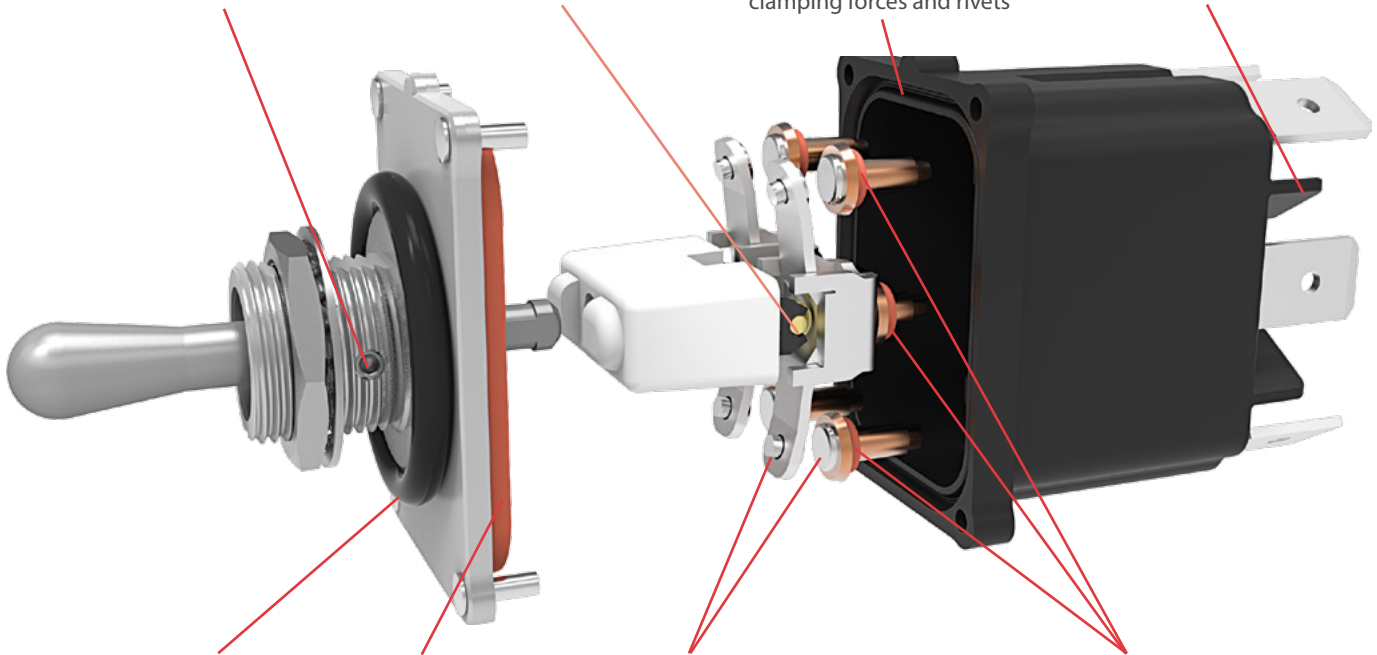
Provides rolling metal on metal actuation for maximum endurance

BASE SEAL CHANNEL

Perfectly fits the toggle assembly seal decreasing the dependence on clamping forces and rivets

TERMINAL BARRIERS

Comply with UL-61058-1 electrical spacing requirements



OPTIONAL O-RING

Assures additional under panel sealing protection

BUSHING/TOGGLE SEAL

Composed of dynamic silicone material that bonds to the metal toggle, pin and bushing

RIVETS

High purity copper composite and silver alloy materials handle various electrical loads and maintain low contact resistance

TERMINAL SEALS

Assure a secure seal at extreme temperatures. Eliminates potential for separated joints associated with insert molded constructions

Electrical

| | |
|----------------------------|--|
| Contact Rating | 16A 12V/24V |
| Dielectric Strength | MIL-STD-202G, Method 301 (1500 Volts RMS) |
| Insulation Resistance | MIL-STD-202G, Method 302 (50 MegOhms, 500 VDC) |
| Initial Contact Resistance | MIL-STD-202G, Method 307 (10 milliOhms max.) |
| Life | Overload: MIL-DTL-3950G, Section 4.8.11.1 Electrical Endurance and Temperature: UL 61058-1 Momentary circuits: 25,000 operations, minimum. Maintained circuits: 50,000 operations, minimum. Testing ongoing to determine maximum values. |
| Contacts | Silver Alloy |
| Terminals | Brass or Copper / silver plated. Tab Terminal: ¼" quick-connect Screw Terminal: #6-32 brass screw and cage clamp MIL-STD-202G, Method 211 Test Condition A, and B: 25 lb. pull test, two terminal bends. |

Physical

| | |
|-------------------|---|
| Function | Single/Double Pole with Single/Double Throw functions |
| Operation | Two/ Three position, Maintained/ Momentary circuits |
| Toggle | Tin plated brass |
| Actuator | Polyester PBT, UL94-V0 and fungus resistant per ASTM G- 21 |
| Internal Seals | All internal seals are silicone per A-A-59588-1A. |
| Mounting | 15/32"-32 UNS-2A threaded bushing with a keyway. A single nut and lock washer are supplied unassembled. |
| Bushing/Top Plate | Zinc/aluminum die cast, with tin plating. |
| Base | Polyester PBT, UL94-V0 and fungus resistant per ASTM G-21 |
| Actuation Force | Initial Actuation Forces \pm 0.3 lb (2-Pole circuits) |
| Angular Movement | 14.5 degrees, each side of center |

Mechanical

| | |
|------|--|
| Life | Mechanical Endurance: 150,000 cycles total (at 25°C) |
|------|--|

Environmental

| | |
|-------------------------------|---|
| Temperature | Operating: -40°C to +85°C Storage: -65°C to +85°C |
| Vibration | MIL-STD-202G: Method 204D, Test Condition A (10 G peak, Harmonic, 10Hz to 500Hz sweeps, 9 hours total). |
| Shock | MIL-STD-202G: Method 213B, Test Condition K (30 G, half sine) |
| Handling Drop | SAE J1455, Section 4.11.3.1, 1 meter drop in each of three planes |
| Sealing | MIL-STD-202G, Method 110 (sand and dust) IEC 60529, IP68 (dust-tight and continuous immersion in water) |
| Salt Atmosphere | MIL-STD-202G, Method 101, Test Condition A (96 hrs) |
| Thermal Shock | MIL-STD-202G, Method 107, Test Condition A (five cycles in air: -55°C, +25°C, +125°C, +25°C) |
| Moisture Resistance, Humidity | MIL-STD-202G, Method 106 (ten 24-hour stepped cycles) |
| Chemical Resistance | No permanent loss of function, obvious loss of sealing, distortion, softening, embrittlement, discoloration or corrosion after being brushed for 10 minutes, wetting all exposed surfaces. Relevant chemical compatibility documentation may be used in place of testing. |
| Chemical | Concentration |
| Gasoline | 100% |
| Ethylene Glycol | 50% in water |
| Ethanol/Methanol | 10% in water |
| Diesel Fuel | 100% |

*Manufacturer reserves the right to change product specification without prior notice.

ST A 2 E 1 - 53

1 Series 2 Circuit 3 Poles 4 Rating 5 Termination 6 Toggle Style

1 SERIES 1
ST Sealed Toggle

4 RATING
E 16A, 12/24V

2 CIRCUIT

| | 2 & 3, 5 & 6 | Connected Terminals | 1 & 2, 4 & 5 |
|-------------------------|----------------|---------------------|--------------|
| Position: | 1 | 2 | 3 |
| A | ON | NONE | OFF |
| B | (ON) | NONE | OFF |
| C | ON | NONE | (OFF) |
| D | ON | NONE | ON |
| F | ON | NONE | (ON) |
| J | ON | OFF | ON |
| K | ON | OFF | (ON) |
| L | (ON) | OFF | (ON) |
| Special Circuits | | | |
| E ^{2,3} | 5 & 6 | 5 & 3 | 5 & 1 |
| G ^{2,4} | 2 & 3, 5 & 6 | 2 & 3 | OFF |
| M ^{2,4} | (2 & 3, 5 & 6) | 2 & 3 | OFF |

5 TERMINATION

1 .250 (6.4mm) TAB (QC)
4 Screw with Cage Clamps
B⁵ .250 (6.4mm) TAB (QC). Jumper T2 to T5. No terminal at T5
E⁵ Screw with Cage Clamps. Jumper T2 to T5. No terminal at T5

6 TOGGLE STYLE

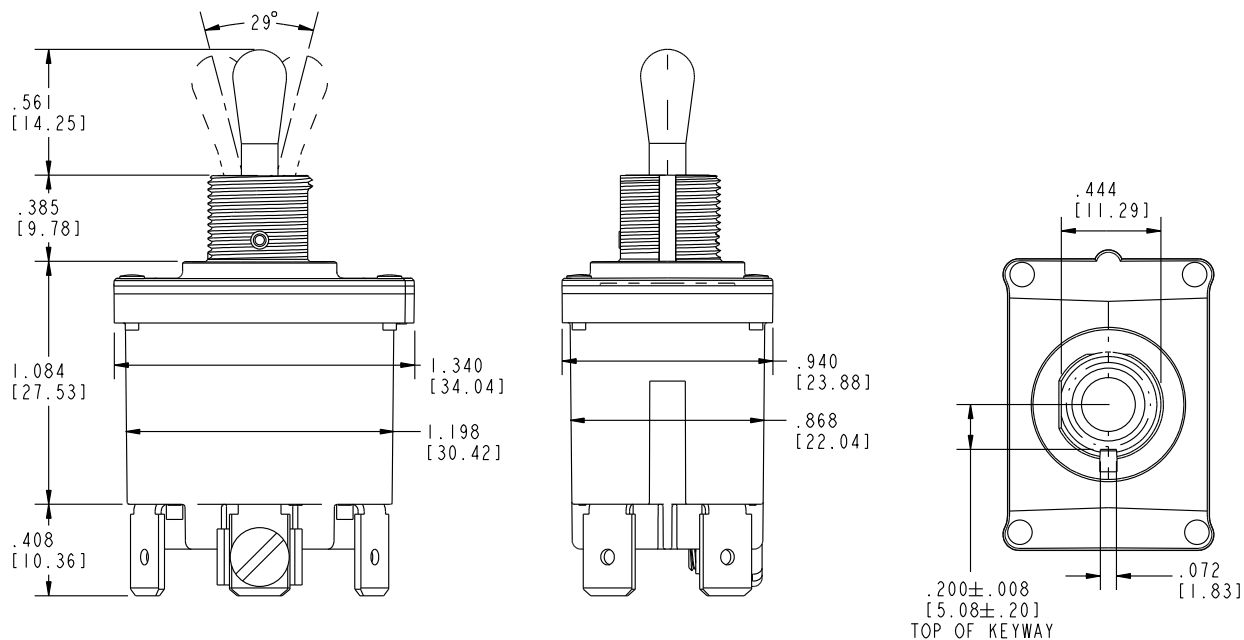
| | Toggle Length | Bushing Length |
|------------------------|---------------|----------------|
| Without Panel Seal | | |
| 53 | .561 | .385 |
| With Panel Seal (Bulk) | | |
| 58 | .561 | .385 |

3 POLES

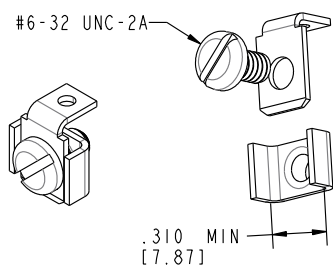
1 Single pole using terminals 1, 2 & 3
2 Double pole using terminals 1, 2, 3, 4, 5 & 6

- Notes:
- Standard hardware is (1) inner tooth lock washer and (1) hex nut bulk.
 - Available only with 2 pole option in selection box # 3.
 - External customer supplied jumper required between terminals 2 & 4 to get SP ON-ON-ON circuit.
 - Available with termination B and E only.
 - Available with special circuit G and M only.

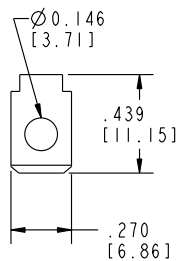
Dimensional Specifications: in. [mm]



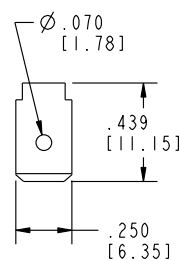
TERMINALS



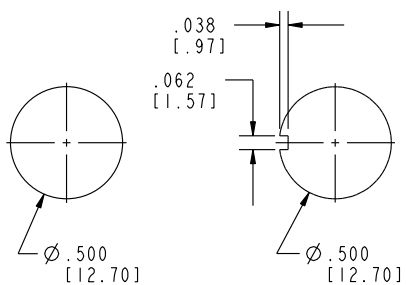
SCREW (AND CAGE) TERMINAL



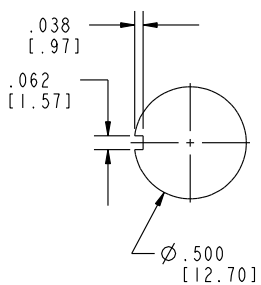
.250 TAB (Q.C.) TERMINAL



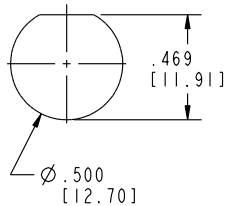
PANEL CUTOUTS



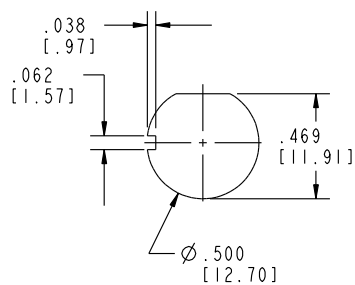
MOUNTING HOLE



WITH KEYWAY



WITH FLAT



WITH KEYWAY, FLAT

Authorized Sales Representatives and Distributors

Click on a region of the map below to find your local representatives and distributors or visit www.carlingtech.com/findarep.



About Carling

Founded in 1920, Carling Technologies is a leading manufacturer of electrical and electronic switches and assemblies, circuit breakers, electronic controls, power distribution units, and multiplexed power distribution systems. With four ISO registered manufacturing facilities and technical sales offices worldwide, Carling Technologies Sales, Service and Engineering teams do much more than manufacture electrical components, they engineer powerful solutions! To learn more about Carling please visit www.carlingtech.com/company-profile.

To view all of Carling's environmental, quality, health & safety certifications please visit www.carlingtech.com/environmental-certifications

Worldwide Headquarters

Carling Technologies, Inc.
60 Johnson Avenue, Plainville, CT 06062
Phone: 860.793.9281 **Fax:** 860.793.9231
Email: sales@carlingtech.com

Northern Region Sales Office: nrsm@carlingtech.com
Southeast Region Sales Office: sersm@carlingtech.com
Midwest Region Sales Office: mrsm@carlingtech.com
West Region Sales Office: wrsm@carlingtech.com
Latin America Sales Office: larsm@carlingtech.com

Asia-Pacific Headquarters

Carling Technologies, Asia-Pacific Ltd.,
Suite 1607, 16/F Tower 2, The Gateway,
Harbour City, 25 Canton Road,
Tsimshatsui, Kowloon, Hong Kong
Phone: Int + 852-2737-2277 **Fax:** Int + 852-2736-9332
Email: sales@carlingtech.com.hk

Shenzhen, China: shenzhen@carlingtech.com
Shanghai, China: shanghai@carlingtech.com
Pune, India: india@carlingtech.com
Kaohsiung, Taiwan: taiwan@carlingtech.com
Yokohama, Japan: japan@carlingtech.com

Europe | Middle East | Africa Headquarters

Carling Technologies LTD
4 Airport Business Park, Exeter Airport,
Clyst Honiton, Exeter, Devon, EX5 2UL, UK
Phone: Int + 44 1392.364422 **Fax:** Int + 44 1392.364477
Email: ltd.sales@carlingtech.com

Germany: gmbh@carlingtech.com
France: sas@carlingtech.com



Carling Technologies®

Innovative Designs. Powerful Solutions.

X-ON Electronics

Largest Supplier of Electrical and Electronic Components

Click to view similar products for [Toggle Switches](#) category:

Click to view products by [Carling](#) manufacturer:

Other Similar products are found below :

[8928K478](#) [8A1-C-222](#) [020017-13](#) [60012L](#) [6006L](#) [CS115W](#) [CS120W](#) [6663](#) [7101SPDV30BE](#) [7103SDV30BE](#) [7105D](#) [7108P3YAV2BE](#)
[71YY50282](#) [7300K36](#) [7301K38](#) [7306K36](#) [7310K36](#) [7506K4](#) [7592K6](#) [7660K12](#) [7691K14](#) [7700K1](#) [8391K108](#) [8396K108](#) [8811K17](#)
[8812K14](#) [8824K14](#) [8828K13](#) [8835K3](#) [8858K44](#) [PS83-121G](#) [1-1825192-0](#) [A201SCWZB04](#) [A207SYCB04](#) [A208J61ZQ0004](#) [A221T1TCQ](#)
[A323S1CWZQ](#) [A423S1CWZG-M8](#) [1201W](#) [12156AX408](#) [12147AGKX679](#) [12246X778](#) [12TW49-3D](#) [130312](#) [13037L](#) [13001X](#)
[AE101MD1W4B04](#) [AE208SD1W4B04](#) [MS24659-22D](#) [MS27407-5](#)