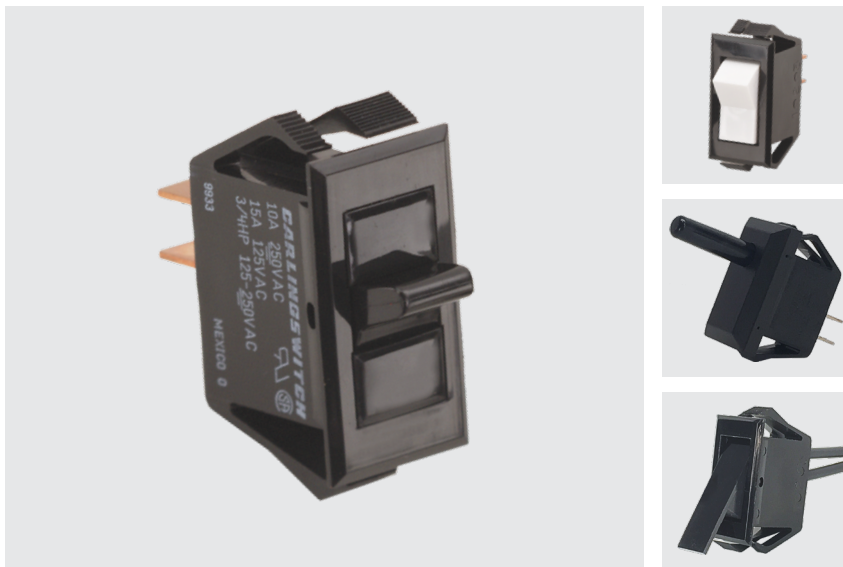


# T-Series

## T-Series

### SINGLE POLE ROCKER & PADDLE SWITCHES

The predecessor to the Corvette series whose versatility has allowed it to stand the test of time. Traditional styling coupled with self cleaning contacts, integrated wire leads, a multitude of circuits, ratings, and actuator choices has made the TA/LTA-Series appeal to a wide range of markets.



#### Product Highlights:

- Ratings Up To 20A
- Rocker, Paddle, Plunger or Door Interlock Actuators
- Integrated Wire Lead Construction
- Self-Cleaning Wiping Style Contacts

#### Typical Applications:

- Appliance
- HVAC
- Food Service
- Transportation



### Dielectric Strength

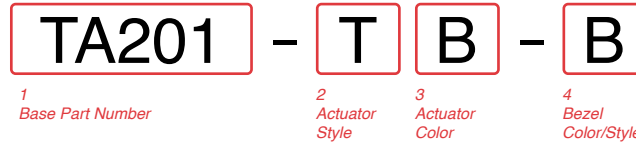
UL/CSA:  
1000V - live to dead metal parts

### Electrical Life

100,000 cycles

### Operating Temperature

32°F to 185°F (0°C to 85°C)



#### 1 BASE PART NUMBER: SERIES / CIRCUITRY / RATING <sup>4</sup> / TERMINATION

10A 250 VAC, 15A 125 VAC, 3/4 HP 125-250 VAC  
Solder Lugs    .250 Tabs    Wire Leads

Standard Base	TA200	TA201	TA205
ON-NONE-OFF	TA200	TA201	TA205
ON-NONE-ON	TB200	TB201	TB205
ON-OFF-ON	TC200	TC201	TC205
5A 250 VAC, 10A 125 VAC, 1/2 HP 125-250 VAC			
(ON)-NONE-OFF	TA10A	TA10B	TA10F
ON-NONE-(OFF)	TA10L	TA10M	TA10T
ON-NONE-(ON)	TB10A	TB10B	TB10F

#### T-SERIES WITH PLUNGER ACTUATOR<sup>1,2</sup>

10A 250 VAC, 16A 125 VAC, 1/2 HP 125-250 VAC	TA25B-PLB-B	TA25F-PLB-B
OFF-NONE-(ON)	-	-
ON-NONE-(OFF)	-	-

#### T-SERIES WITH MOMENTARY ROCKER ACTUATOR

10A 250 VAC, 15A 125 VAC, 20A 125-250 VAC "H", 3/4 HP 125-250 VAC	TA22B-TLB-B	TA22M-TLB-B
(ON)-NONE-OFF	-	-
ON-NONE-(OFF)	-	-

#### 2 ACTUATOR STYLE

T	Rocker	PS	Short Paddle
P	Paddle		

#### 3 ACTUATOR COLOR <sup>5</sup>

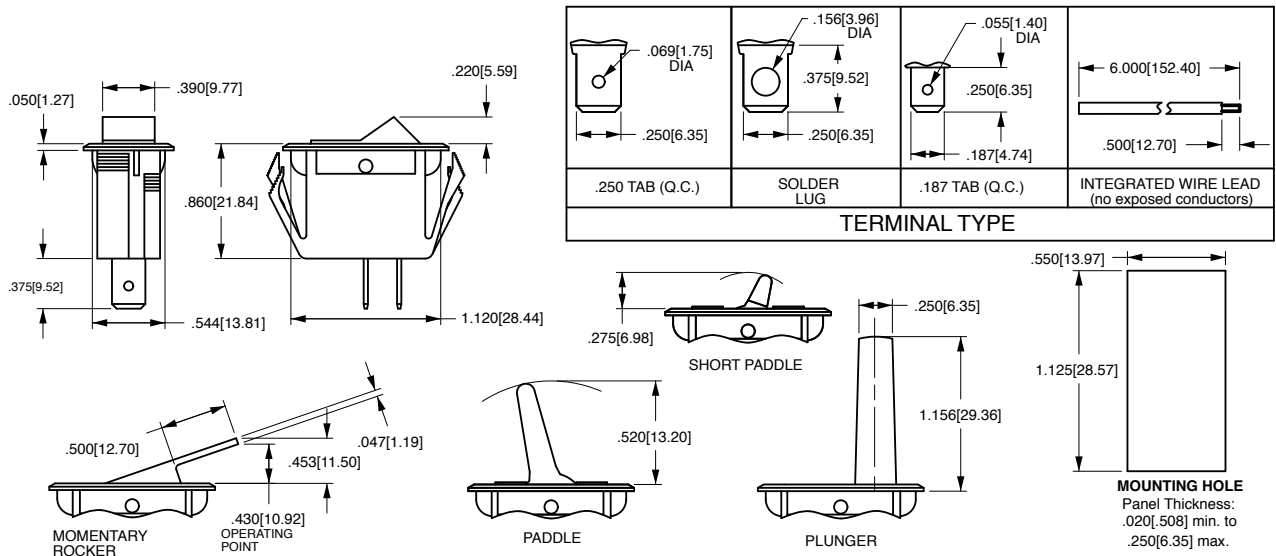
B	Black	W	White
---	-------	---	-------

#### 4 BEZEL COLOR <sup>5</sup>

B	Black	W	White
---	-------	---	-------

#### Notes:

- Imprinting is available. Consult factory.
- 1 Optional plunger support option is available for applications requiring extensive lateral travel, consult factory for details.
- 2 Maintained circuit not available with TA22 and TA25 Series.
- 3 .187 tab terminals also available. Consult factory for catalog number callout.
- 4 Additional ratings are available. Consult factory.
- 5 Additional colors are available. Consult factory.
- ( ) Indicates momentary function.



\*Manufacturer reserves the right to change product specification without prior notice.

## Authorized Sales Representatives and Distributors

Click on a region of the map below to find your local representatives and distributors or visit [www.carlingtech.com/findarep](http://www.carlingtech.com/findarep).



## About Carling

Founded in 1920, Carling Technologies is a leading manufacturer of electrical and electronic switches and assemblies, circuit breakers, electronic controls, power distribution units, and multiplexed power distribution systems. With four ISO9001 and IATF16949 registered manufacturing facilities and technical sales offices worldwide, Carling Technologies Sales, Service and Engineering teams do much more than manufacture electrical components, they engineer powerful solutions! To learn more about Carling please visit [www.carlingtech.com/company-profile](http://www.carlingtech.com/company-profile).

To view all of Carling's environmental, quality, health & safety certifications please visit [www.carlingtech.com/environmental-certifications](http://www.carlingtech.com/environmental-certifications)

## **Worldwide Headquarters**

Carling Technologies, Inc.  
60 Johnson Avenue, Plainville, CT 06062  
**Phone:** 860.793.9281 **Fax:** 860.793.9231  
**Email:** sales@carlingtech.com

**Northern Region Sales Office:** nrsm@carlingtech.com  
**Southeast Region Sales Office:** sersm@carlingtech.com  
**Midwest Region Sales Office:** mrrsm@carlingtech.com  
**West Region Sales Office:** wrsm@carlingtech.com  
**Latin America Sales Office:** larsm@carlingtech.com

## **Asia-Pacific Headquarters**

Carling Technologies, Asia-Pacific Ltd.,  
Suite 1607, 16/F Tower 2, The Gateway,  
Harbour City, 25 Canton Road,  
Tsimshatsui, Kowloon, Hong Kong  
**Phone:** Int + 852-2737-2277 **Fax:** Int + 852-2736-9332  
**Email:** sales@carlingtech.com.hk

**Shenzhen, China:** shenzhen@carlingtech.com  
**Shanghai, China:** shanghai@carlingtech.com  
**Pune, India:** india@carlingtech.com  
**Kaohsiung, Taiwan:** taiwan@carlingtech.com  
**Yokohama, Japan:** japan@carlingtech.com

## **Europe | Middle East | Africa Headquarters**

Carling Technologies LTD  
4 Airport Business Park, Exeter Airport,  
Clyst Honiton, Exeter, Devon, EX5 2UL, UK  
**Phone:** Int + 44 1392.364422 **Fax:** Int + 44 1392.364477  
**Email:** ltd.sales@carlingtech.com

**Germany:** gmbh@carlingtech.com  
**France:** sas@carlingtech.com



**Carling Technologies®**

Innovative Designs. Powerful Solutions.

## X-ON Electronics

Largest Supplier of Electrical and Electronic Components

*Click to view similar products for [Rocker Switches](#) category:*

*Click to view products by [Carling](#) manufacturer:*

Other Similar products are found below :

[VKD2GHNB-00000-000](#) [VSD2GNNB-00000-000](#) [6-1571986-5](#) [6-1571986-9](#) [7036WWCDBX653+U622](#) [8055K52Z7V](#) [8138K20E6M50](#)  
[FMC18A2200002](#) [84206L](#) [84312LX](#) [PREDD4-07F-BB0FW](#) [PREDD5-07F-BB0GW](#) [PRFDD1-16F-BB000](#) [PRFDD3-16F-BB000](#) [1-](#)  
[1634201-0](#) [999-16702-001](#) [A101J2ZQ004](#) [A101J4ZQ004](#) [A101J51CB0004](#) [A107J51ZQ0004](#) [A201J1AQ004](#) [A201J1AV2Q004](#)  
[A201J3ZB004](#) [A201J50ZQ004](#) [A203J51ZQ0004](#) [A226L11YZQ](#) [A22L11A](#) [A435S1YZQ](#) [H8500XBBBBL-A](#) [H8653VBBG2577W](#)  
[HB130CHNWWNAAC](#) [1251.0303](#) [AE205J60V3B004](#) [RH110C2NBB](#) [1352.0107](#) [1363.0201](#) [AML25GBF2AA03GR](#) [1571099-3](#) [1571987-4](#)  
[1571987-5](#) [1571989-7](#) [B123J77V7B2](#) [B226J50W4Q22P](#) [B433J37ZQ22M](#) [160212E](#) [1801.1164](#) [1831.1102](#) [1833.3402](#) [1837.1118](#) [1838.8302](#)