

# Tippette®

Full Sized Rocker Switches

**PRODUCT WEBPAGE**

*request sample, configure part*



The Tippette Series is a traditionally styled rocker switch, available in sealed or unsealed versions. These switches are appropriate for use in general purpose applications which may or may not require a modicum of environmental protection.

**1-4**  
Poles

**10-20**  
Amps

**125-250**  
VAC Max

**12-30**  
VDC Max

## Typical Applications

- General Purpose Applications
- Commercial Food
- Recreational Vehicles

# Tech Specs

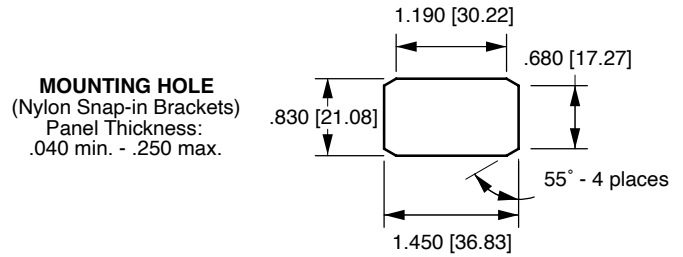
## Electrical

Contact Rating	15 amps, 125 VAC 10 amps, 250 VAC 3/4 HP 125-250 VAC 15 amps, 12-30 VDC
Life	25,000 cycles circuit dependent 50,000 cycles circuit dependent consult factory for applicable circuits.
Contact	Fine silver, silver cad-oxide
Terminals	Brass or copper/silver plate 1/4" (6.3mm) Quick Connect terminations standard. Solder lug - Brass Tin Plated Wire Lead 16 gauge standard 105°C 600VAC Screw Terminals - Brass

## Physical

Lighted	Incandescent - rated 10,000 hours Neon - rated 25,000 hours
Seals	Bracket - Actuator WBL/MBL optional external gasket panel seal
Operating Temperature	Up to 85° C Consult Factory for Specific Applications

## Mounting



\*Angled corners are suggested for optimum fit.  
Standard rectangular cutout is acceptable.

## Agency Certifications

UL, CSA and VDE

Select circuits and constructions with VDE/IEC approvals are available. Consult factory

# Ordering Scheme

Sample Part Number **TIGA51 - 6M - BL - MBL**

Selection 1 2 3 4

## 1. SERIES

10A 250VAC, 15A 125VAC, 3/4 HP 125-250VAC, 15A 6-28VDC

Single Pole in Double Pole base<sup>2</sup>

solder	.250	screw	wire	
lug	tab	term.	leads	
<b>TIGA50</b>	<b>TIGA51</b>	<b>TIGA54</b>	<b>TIGA55</b>	On-None-Off
<b>TIGA5A</b>	<b>TIGA5B</b>	<b>TIGA5E</b>	<b>TIGA5F</b>	(On)-None-Off
<b>TIGA5L</b>	<b>TIGA5M</b>	<b>TIGA5S</b>	<b>TIGA5T</b>	On-None-(Off)
<b>TIGB50</b>	<b>TIGB51</b>	<b>TIGB54</b>	<b>TIGB55</b>	On-None-On
<b>TIGB5A</b>	<b>TIGB5B</b>	<b>TIGB5E</b>	<b>TIGB5F</b>	On-None-(On)
<b>TIGC50</b>	<b>TIGC51</b>	<b>TIGC54</b>	<b>TIGC55</b>	On-Off-On
<b>TIGC5A</b>	<b>TIGC5B</b>	<b>TIGC5E</b>	<b>TIGC5F</b>	On-Off-(On)
<b>TIGC5L</b>	<b>TIGC5M</b>	<b>TIGC5S</b>	<b>TIGC5T</b>	(On)-Off-(On)

Double Pole

solder	.250	screw	wire	
lug	tab	term.	leads	
<b>TIGK50</b>	<b>TIGK51</b>	<b>TIGK54</b>	<b>TIGK55</b>	
<b>TIGK5A</b>	<b>TIGK5B</b>	<b>TIGK5E</b>	<b>TIGK5F</b>	
<b>TIGK5L</b>	<b>TIGK5M</b>	<b>TIGK5S</b>	<b>TIGK5T</b>	
<b>TIGL50</b>	<b>TIGL51</b>	<b>TIGL54</b>	<b>TIGL55</b>	
<b>TIGL5A</b>	<b>TIGL5B</b>	<b>TIGL5E</b>	<b>TIGL5F</b>	
<b>TIGM50</b>	<b>TIGM51</b>	<b>TIGM54</b>	<b>TIGM55</b>	
<b>TIGM5A</b>	<b>TIGM5B</b>	<b>TIGM5E</b>	<b>TIGM5F</b>	
<b>TIGM5L</b>	<b>TIGM5M</b>	<b>TIGM5S</b>	<b>TIGM5T</b>	

Three Pole

solder	.250	screw	wire	
lug	tab	term.	leads	
<b>TIHK50</b>	<b>TIHK51</b>	<b>TIHK54</b>	<b>TIHK55</b>	On-None-Off
<b>TIHK5A</b>	<b>TIHK5B</b>	<b>TIHK5E</b>	<b>TIHK5F</b>	(On)-None-Off
<b>TIHK5L</b>	<b>TIHK5M</b>	<b>TIHK5S</b>	<b>TIHK5T</b>	On-None-(Off)
<b>TIHL50</b>	<b>TIHL51</b>	<b>TIHL54</b>	<b>TIHL55</b>	On-None-On
<b>TIHL5A</b>	<b>TIHL5B</b>	<b>TIHL5E</b>	<b>TIHL5F</b>	On-None-(On)
<b>TIHM50</b>	<b>TIHM51</b>	<b>TIHM54</b>	<b>TIHM55</b>	On-Off-On
<b>TIHM5A</b>	<b>TIHM5B</b>	<b>TIHM5E</b>	<b>TIHM5F</b>	On-Off-(On)
<b>TIHM5L</b>	<b>TIHM5M</b>	<b>TIHM5S</b>	<b>TIHM5T</b>	(On)-Off-(On)

Four Pole

solder	.250	screw	wire	
lug	tab	term.	leads	
<b>TIIK50</b>	<b>TIIK51</b>	<b>TIIK54</b>	<b>TIIK55</b>	
<b>TIIK5A</b>	<b>TIIK5B</b>	<b>TIIK5E</b>	<b>TIIK5F</b>	
<b>TIIK5L</b>	<b>TIIK5M</b>	<b>TIIK5S</b>	<b>TIIK5T</b>	
<b>TIIL50</b>	<b>TIIL51</b>	<b>TIIL54</b>	<b>TIIL55</b>	
<b>TIIL5A</b>	<b>TIIL5B</b>	<b>TIIL5E</b>	<b>TIIL5F</b>	
<b>TIIM50</b>	<b>TIIM51</b>	<b>TIIM54</b>	<b>TIIM55</b>	
<b>TIIM5A</b>	<b>TIIM5B</b>	<b>TIIM5E</b>	<b>TIIM5F</b>	
<b>TIIM5L</b>	<b>TIIM5M</b>	<b>TIIM5S</b>	<b>TIIM5T</b>	

VDE APPROVED

10A 250VAC, 15A 125VAC, 12(6)A 250VAC T85

Single Pole in Double Pole base<sup>2</sup>

solder	.250	wire	
lug	tab	lead	
<b>TIGA90</b>	<b>TIGA91</b>	<b>TIGA95</b>	On-None-Off
<b>TIGB90</b>	<b>TIGB91</b>	<b>TIGB95</b>	On-None-On
<b>TIGC90</b>	<b>TIGC91</b>	<b>TIGC95</b>	On-Off-On

Double Pole

solder	.250	wire	
lug	tab	lead	
<b>TIGK90</b>	<b>TIGK91</b>	<b>TIGK95</b>	
<b>TIGL90</b>	<b>TIGL91</b>	<b>TIGL95</b>	
<b>TIGM90</b>	<b>TIGM91</b>	<b>TIGM95</b>	

Additional ratings up to 20A 125-277VAC, 1 1/2HP 125 VAC, 2HP 250VAC are available. Consult factory for specifics.

## 2. ACTUATOR STYLE

<b>1S</b>	Angular/Smooth Face Gloss <sup>12</sup>
<b>1C</b>	Angular/Cross Serrations Gloss <sup>12</sup>
<b>1F</b>	Flatted/Smooth Face Gloss <sup>12</sup>
<b>1L</b>	Angular/Longline Serrations Gloss <sup>1,12</sup>
<b>2L</b>	Long Smooth/Narrow <sup>1</sup>
<b>6M</b>	Curved/Smooth Face Matte <sup>3</sup>
<b>6S</b>	Curved/Smooth Face Gloss <sup>3</sup>
<b>7S</b>	Rounded Paddle/Smooth Face Gloss <sup>1</sup>
<b>7N</b>	Witch's Hat/Narrow <sup>14</sup>
<b>7P</b>	Witch's Hat/Wide <sup>14</sup>

## 3. ACTUATOR COLOR

<b>BL</b>	Black
<b>WH</b>	White
<b>RD</b>	Red

## 4. BRACKET STYLE

<b>A</b>	Screw Mount <sup>5</sup>
<b>B</b>	Screw Mount <sup>5,12</sup>
<b>C</b>	Screw Mount <sup>5</sup>
<b>H</b>	Screw Mount <sup>5</sup>
<b>NBL</b>	Nylon Black
<b>WBL</b>	Water shedding Black <sup>4</sup>
<b>MBL</b>	Marine Style Black <sup>4,6</sup>
<b>FN</b>	Metal Snap-In <sup>5</sup>
<b>FN BLK</b>	Black Metal Snap-In <sup>5</sup>
<b>FN SS</b>	Stainless Steel Snap-In <sup>5</sup>
<b>FW</b>	Wide Stainless Steel Snap-In <sup>5</sup>

Notes:

- 1 FN, & FW brackets only.
- 2 For single pole switch in a single pole base, specify TIL with single pole circuitry/rating/termination.
- 3 NBL, WBL, & MBL brackets only. With 6M actuator, brackets also will be matte finish.
- 4 6M & 6S actuators only.
- 5 Not available with 6M & 6S actuators.
- 6 Consists of WBL bracket, neoprene seal, and dummy rivets at open holes. Consult factory for agency approval status.
- 7 All ratings are appropriate for usage in low voltage applications.
- 8 For additional special circuits, see catalog.
- 9 Custom colors are available, consult factory.
- 10 .187 tab and PC terminations are also available. Consult factory for catalog number callout.
- 11 ( ) momentary
- 12 Not available with WBL or MBL style brackets.
- 13 Available with bracket A, C or H only.
- 14 Not available with MBL, WBL or H brackets. Can be supplied as a double rocker to control separate poles of a TIG, TIH or TII switch. Consult factory for details.

[Configure Complete Part Number >](#)

[Browse Standard Parts >](#)

# Ordering Scheme

Sample Part Number LTILA51 - 6M - BL - RC - MBL - 12V

Selection 1 2 3 4 5 6

## 1. SERIES

10A 250VAC, 15A 125VAC, 3/4 HP 125-250VAC, 15A 15-28VDC

illuminated Single Pole in Double Pole base

solder lug	.250 tab	screw term.	wire leads	
LTILA50	LTILA51	LTILA54	LTILA55	On-None-Off
LTILA5A	LTILA5B	LTILA5E	LTILA5F	(On)-None-Off
LTILA5L	LTILA5M	LTILA5S	LTILA5T	On-None-(Off)
LTILB50	LTILB51	LTILB54	LTILB55	On-None-On
LTILB5A	LTILB5B	LTILB5E	LTILB5F	On-None-(On)
LTILC50	LTILC51	LTILC54	LTILC55	On-Off-On
LTILC5A	LTILC5B	LTILC5E	LTILC5F	On-Off-(On)
LTILC5L	LTILC5M	LTILC5S	LTILC5T	(On)-Off-(On)

illuminated Double Pole

solder lug	.250 tab	screw term	wire leads
LTIGK50	LTIGK51	LTIGK54	LTIGK55
LTIGK5A	LTIGK5B	LTIGK5E	LTIGK5F
LTIGK5L	LTIGK5M	LTIGK5S	LTIGK5T
LTIGL50	LTIGL51	LTIGL54	LTIGL55
LTIGL5A	LTIGL5B	LTIGL5E	LTIGL5F
LTIGM50	LTIGM51	LTIGM54	LTIGM55
LTIGM5A	LTIGM5B	LTIGM5E	LTIGM5F
LTIGM5L	LTIGM5M	LTIGM5S	LTIGM5T

Additional ratings up to 12A 250VAC, 17A 125 VAC, 3/4 HP 125 VAC, 1HP 250VAC are available. Consult factory for specifics. Three pole switch is also available: Substitute H for fourth digit of part number. ex. LTIHK51

## 2. ACTUATOR STYLE 4

1S	Angular/Smooth Face Gloss <sup>1</sup>
1C	Angular/Cross Serrations Gloss <sup>1</sup>
1L	Angular/Longline Serrations Gloss <sup>1</sup>
6M	Curved/Smooth Face Matte <sup>3</sup>
6S	Curved/Smooth Face Gloss <sup>3</sup>
7S	Rounded Paddle/Smooth Face Gloss <sup>2</sup>

## 5. BRACKET STYLE 11

NBL	Nylon Black
WBL	Water shedding Black <sup>5</sup>
MBL	Marine Style Black <sup>5,8</sup>
FN	Metal Snap-In <sup>4,6</sup>
FN BLK	Black Metal Snap-In <sup>4,6</sup>
FN SS	Stainless Steel Snap-In <sup>4,6</sup>

## 3. ACTUATOR COLOR 11

BL	Black
WH	White
RD	Red

## 6. LAMP VOLTAGE

neon <sup>9</sup>			
125N	125 volt	250N	250 volt
incandescent			
6V	6 volt	12V	12 volt 18V 18 volt
24V	24 volt	28V	28 volt

## 4. LENS COLOR 13

AM	Amber
LU	Blue <sup>7</sup>
RC	Red
CL	Clear
GN	Green <sup>7</sup>
WH	White

Notes:

- NBL, FN, & FW brackets only. Double pole circuits provided with 3 pole base.
- LTIL-Series with NBL, FN, & FW brackets only.
- NBL, WBL, & MBL brackets only. With 6M actuator, bracket will also be matte finish.
- 1S, 1C, 1L & 7S with NBL bracket only available with LTIL-Series.
- 6M, 6S actuators only.
- Not available with 6M and 6S actuators.
- Not recommended with neon lamps.
- Consists of WBL bracket, neoprene seal, dummy rivets at open holes. Consult factory for agency approval status.
- Not recommended with blue or green lenses.
- All ratings are appropriate for usage in low voltage applications.
- Custom colors and additional bracket styles are available, consult factory.
- ( ) - momentary
- All double throw circuits supplied with two lenses. To specify two different lens colors, specify second color, after first color. (ex. LTIGM51-6S-BL-RC/GN-WBL-12V)
- .187 tab and PC terminations are also available. Consult factory for catalog number callout.

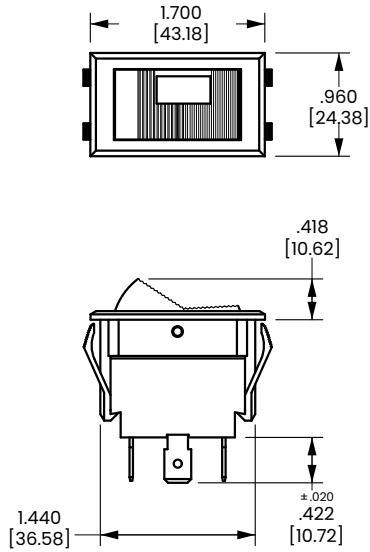
[Configure Complete Part Number >](#)

[Browse Standard Parts >](#)

# Dimensional Specs

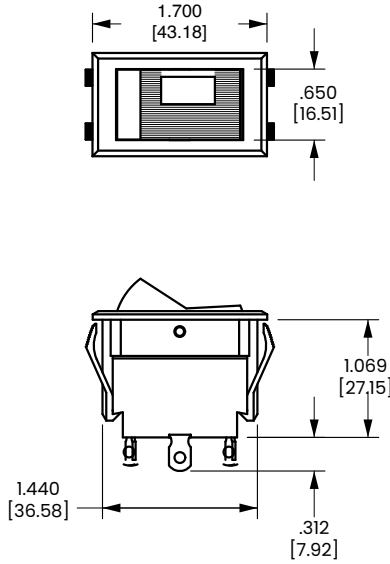
inches [millimeters]

**1C**  
CROSS-LINE W/ONE LENS



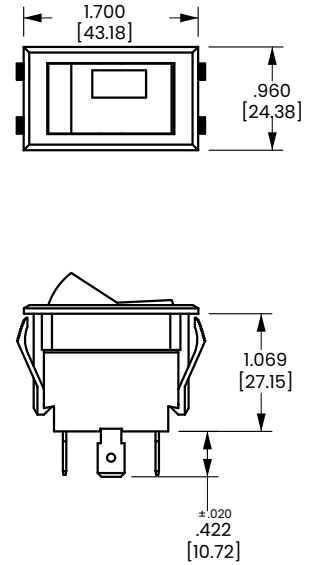
WITH .250 TAB  
TERMINALS  
AND NBL BRACKET

**1L**  
LONG-LINE W/ONE LENS



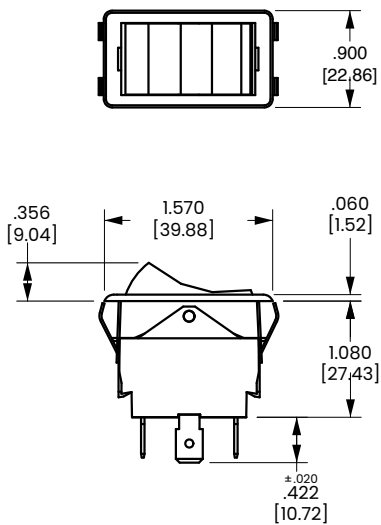
WITH SOLDER LUG  
TERMINAL  
AND NBL BRACKET

**1S**  
SMOOTH W/ONE LENS



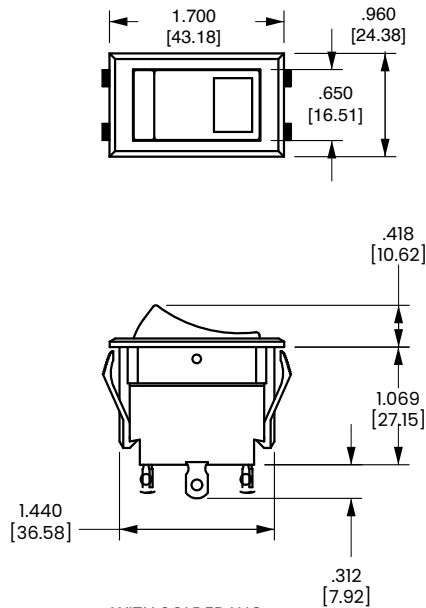
WITH .250 TAB  
TERMINALS  
AND NBL BRACKET

**1F**  
FLATTED STYLE NO LENS



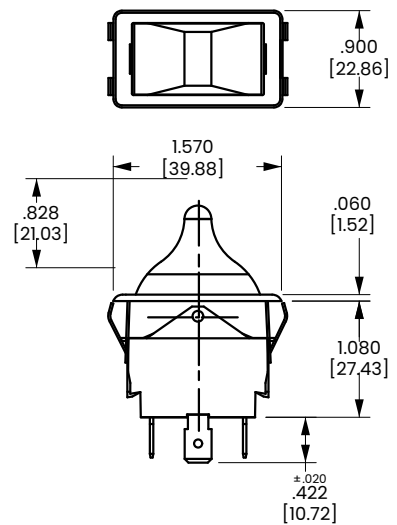
WITH .250 TAB  
TERMINALS  
AND FN BRACKET

**6M, 6S**  
CURVED W/ONE LENS



WITH SOLDER LUG  
TERMINALS  
AND NBL BRACKET

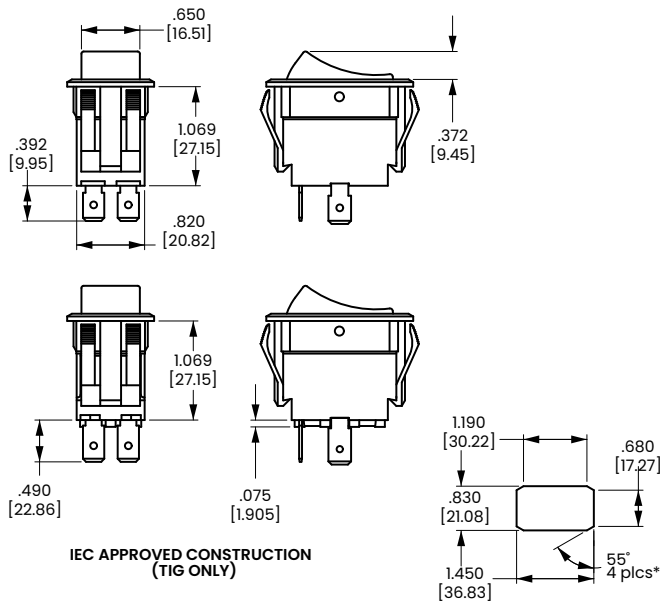
**7S**  
TOGGLE-STYLE W/ONE LENS



WITH .250 TAB  
TERMINALS  
AND FN BRACKET

# Dimensional Specs

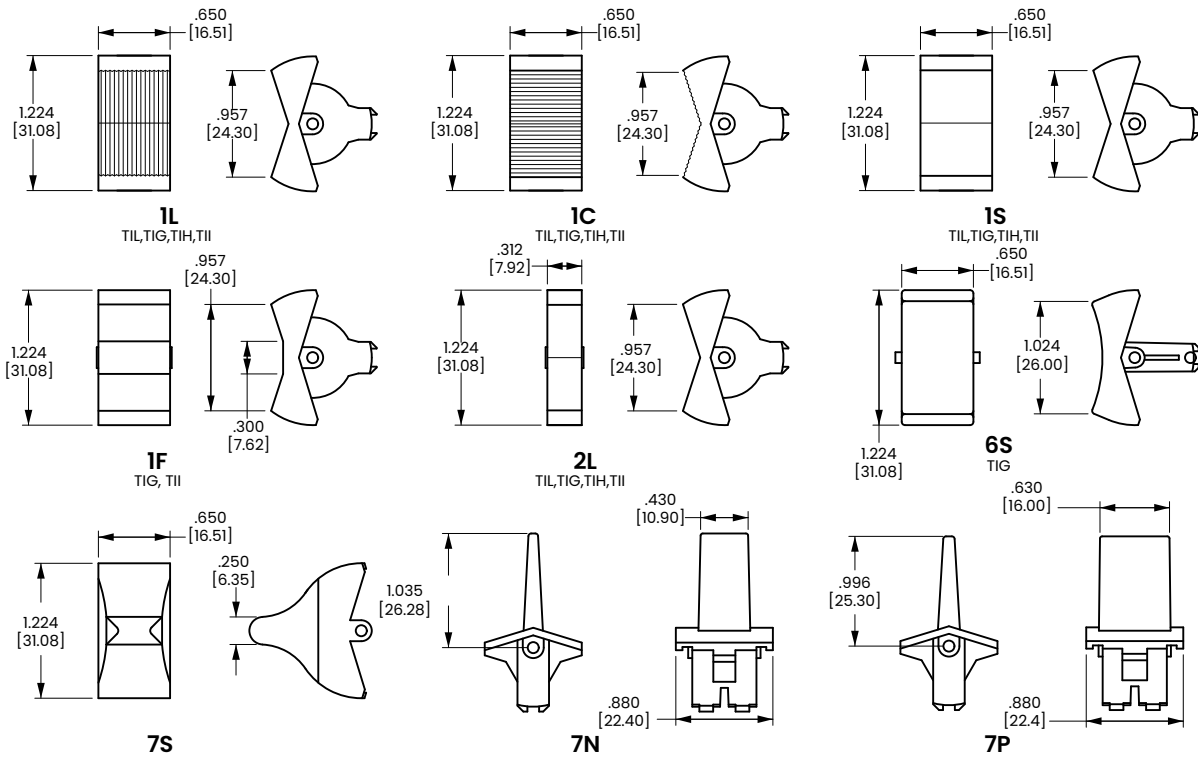
inches [millimeters]



SOLDER LUG	.250 TAB (Q.C.)	.187 TAB (Q.C.)
<b>TERMINAL TYPE</b>		
SCREW (ASSEMBLED)	WIRE LEAD	PRINTED CIRCUIT

**MOUNTING HOLE**  
(Nylon Snap-in Brackets)  
Panel Thickness:  
.030 min. - .250 max.  
Switch should be mounted at 90°  
for maximum water shedding  
(45° to 90° acceptable)

\* Angled corners are suggested for optimum fit. Standard rectangular cutout is acceptable.

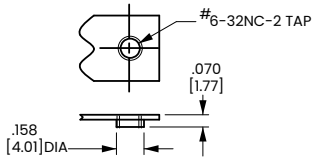


## SPECIAL CIRCUITS FOR TIPPETTE ROCKER SWITCHES

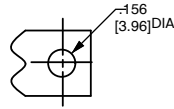
Circuit	Position 1	Position 2	Position 3
Progressive Two Circuit			
<b>GG</b>	Both Circuits ON	One Circuit ON	OFF
<b>GG</b>	Both Circuits (ON)	One Circuit ON	OFF
Single Pole Triple Throw			
<b>GE</b>	ON	ON	ON
Two Circuit			
<b>GH</b>	Circuit 1 ON	Both Circuits ON	Circuit 2 ON
<b>GP</b>	Circuit 2 ON	Circuit 1 ON	OFF
Reversing Double Pole Double Throw			
<b>GO</b>	ON	OFF	ON
<b>GX</b>	ON	NONE	ON

# Dimensional Specs

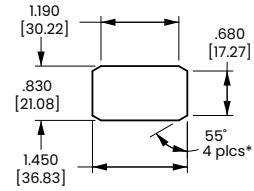
inches [millimeters]



**TAPPED HOLE**  
Standard with  
A & B Brackets



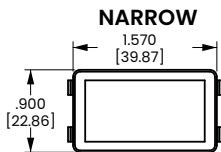
**CLEARANCE HOLE**  
Standard with  
C Bracket



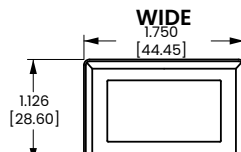
**MOUNTING HOLE**  
(Nylon Snap-in Brackets)  
Panel Thickness:  
.030 min. - .250 max.

\* Angled corners are suggested for optimum fit. Standard rectangular cutout is acceptable.

TIL	TIG	TII	TIH
<p><b>A</b> TIL</p>	<p><b>A</b> TIG</p>	<p><b>A</b> TII</p>	<p><b>A</b> TIH</p>
<p><b>B</b> TIL</p>	<p><b>B</b> TIG, TII</p>		
<p><b>CX</b> TIL</p>	<p><b>C</b> TIG</p>	<p><b>C</b> TIH, TII</p>	
	<p><b>H</b> TIG</p>	<p><b>GCP / GMP</b> GLOSS FINISH / MATTE FINISH <b>HOLE PLUG</b> FOR TIL, TIG, TIH &amp; TII</p>	

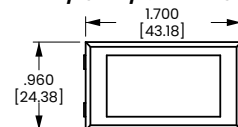


**FN**  
TIL, TIG, TIH, TII  
METAL, SNAP-IN



**FW**  
TIL, TIG, TIH, TII  
METAL, SNAP-IN

**MARINE / STD / WATERSHEDDING**



**MBL, NBL, WBL**  
TIG  
BLACK NYLON, SNAP-IN

## Authorized Sales Representatives and Distributors

Click on a region of the map below to find your local representatives and distributors or visit [www.carlingtech.com/findarep](http://www.carlingtech.com/findarep).



## About Carling

Founded in 1920, Carling Technologies is a leading manufacturer of electrical and electronic switches and assemblies, circuit breakers, electronic controls, power distribution units, and multiplexed power distribution systems. With six ISO9001 and IATF16949 registered manufacturing facilities and technical sales offices worldwide, Carling Technologies Sales, Service and Engineering teams do much more than manufacture electrical components, they engineer powerful solutions! To learn more about Carling please visit [www.carlingtech.com/company-profile](http://www.carlingtech.com/company-profile).

To view all of Carling's environmental, quality, health & safety certifications please visit [www.carlingtech.com/environmental-certifications](http://www.carlingtech.com/environmental-certifications).

© Carling Technologies, Inc.

8. Carling, Tippet are registered trademarks of Carling Technologies, Inc. in the U.S. and other countries.



## X-ON Electronics

Largest Supplier of Electrical and Electronic Components

*Click to view similar products for [Rocker Switches](#) category:*

*Click to view products by [Carling](#) manufacturer:*

Other Similar products are found below :

[LTILA6E-1S-WH-RC-FN12VXCR1](#) [6-1571986-9](#) [8007K26N324V52](#) [8055K23Z7V](#) [8055K32Z7V](#) [8055K52Z7V](#) [8138K20E6M50](#) [84206L](#)  
[84312LX](#) [PREDD5-07F-BB0GW](#) [999-16716-002](#) [999-16716-003](#) [999-16716-004](#) [A101J1V3Q004](#) [A101J2ZQ004](#) [A101J4ZQ004](#)  
[A101J51CB0004](#) [A103J1ZQ004](#) [A201J1AQ004](#) [A201J3ZB004](#) [A201J50ZQ004](#) [A203J51ZQ0004](#) [A435S1YZQ](#) [H8500XBBBBL-A](#)  
[H8653VBBG2577W](#) [HB130CHNWWNAAC](#) [R13112ABB-602W](#) [1251.0303](#) [AE205J60V3B004](#) [1352.0107](#) [1571099-3](#) [1571987-4](#)  
[1571987-5](#) [1571989-7](#) [1571988-5](#) [B123J77V7B2](#) [B226J50W4Q22P](#) [B433J37ZQ22M](#) [160212E](#) [1634200-7](#) [1801.1164](#) [1839.1502](#) [PANEL-](#)  
[PLUG-VHP-BLACK](#) [PANEL-PLUG-VHP-WT](#) [K1ABBSCADN](#) [KG312A2DXD246X](#) [250011E714](#) [2600HM11E](#) [2600R21E](#) [260413E](#)