

# TLG-Series

## ROCKER SWITCHES

The TLG-Series Mid-Sized Tippet snap-in rocker switches are single pole, rocker or paddle actuated with an adjacent indicator light. These single-actuator-switches are AC rated to 20 amps and are also suitable for low voltage DC applications.



### Product Highlights:

- Maintained or Momentary Circuitry
- Rocker Paddle or mixed Rocker/Paddle actuators
- Illuminated or Non-Illuminated
- Integrated wire lead construction

### Typical Applications:

- Appliance
- HVAC
- Food Service
- Transportation



### Dielectric Strength

UL/CSA:  
1000V - live to dead metal parts

### Electrical Life

50,000 cycles - maintained  
25,000 cycles - momentary

### Operating Temperature

32°F to 185°F (0°C to 85°C)

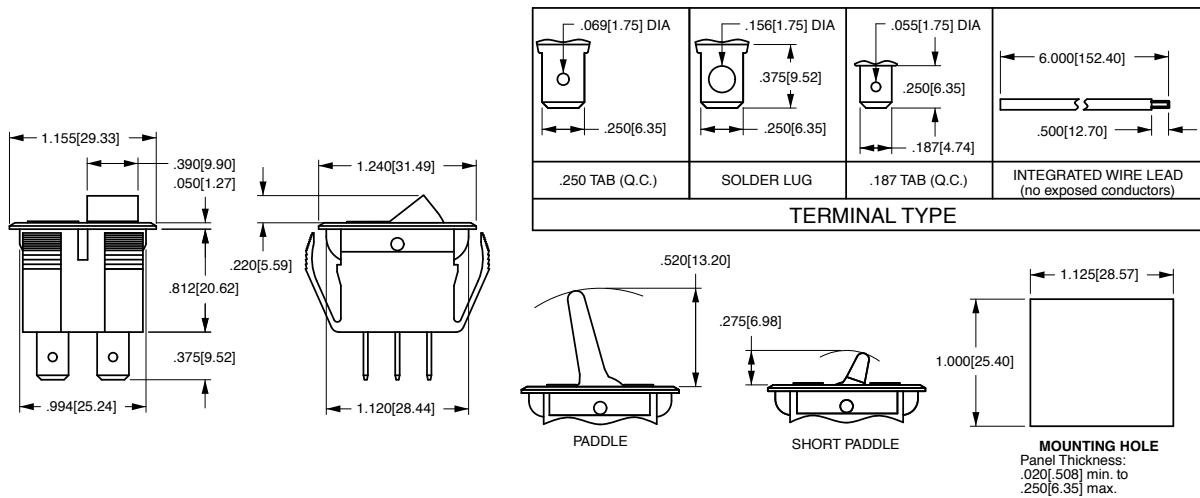
**TLG** **G** - **D** **R** - **TA** **20** **1** - **T** **B** - **B** / **125N**

1 Base Part Number    2 Circuit    3 Lens Design    4 Lens Color    5 Center Position    6 Rating    7 Termination    8 Actuator Style    9 Actuator Color    10 Base Color    11 Lens Color    12 Lamp Voltage

<b>1 BASE PART NUMBER: SERIES</b>					
<b>TLG</b>	Single Pole with adjacent Indicator Light				
<b>2 CIRCUIT</b> <sup>4</sup>					
See Circuit Designation Chart.					
<b>3 LENS DESIGN</b>					
<b>D</b>	Diamond				
<b>L</b>	Long Line				
<b>4 LENS COLOR</b>					
<b>A</b>	Amber	<b>G</b>	Green	<b>W</b>	White
<b>C</b>	Clear	<b>R</b>	Red		
<b>5 BASIC SWITCH NUMBER</b>					
<b>TA</b>	On-None-Off		<b>TC</b>	On-Off-On	
<b>TB</b>	On-None-On		<b>LTA</b>	On-None-Off, Lighted	
<b>6 RATING</b>					
<b>10</b>	5A 250VAC, 10A 125VAC, 1/2HP 125-250VAC				
<b>11</b>	5A 250VAC, 10A 125VAC, 5A 125VAC L				
<b>20</b>	10A 250VAC, 15A 125VAC, 3/4HP 125-250VAC				
<b>21</b>	10A 250VAC, 15A 125VAC				
<b>22</b>	10A 250VAC, 15A 125VAC, 20A 125-250VAC H, 3/4HP 125-250VAC				
<b>7 TERMINATION / FUNCTION</b>					
	Solder Lug	.250 Tab QC	.187 Tab QC	Wire Leads	
On-None-Off	<b>0</b>	<b>1</b>	<b>3</b>	<b>5</b>	
(On)-None-Off	<b>A</b>	<b>B</b>	<b>D</b>	<b>F</b>	
On-None-(Off)	<b>L</b>	<b>M</b>	<b>R</b>	<b>T</b>	
On-None-On	<b>0</b>	<b>1</b>	<b>3</b>	<b>5</b>	
On-None-(On)	<b>A</b>	<b>B</b>	<b>D</b>	<b>F</b>	
On-Off-On	<b>0</b>	<b>1</b>	<b>3</b>	<b>5</b>	

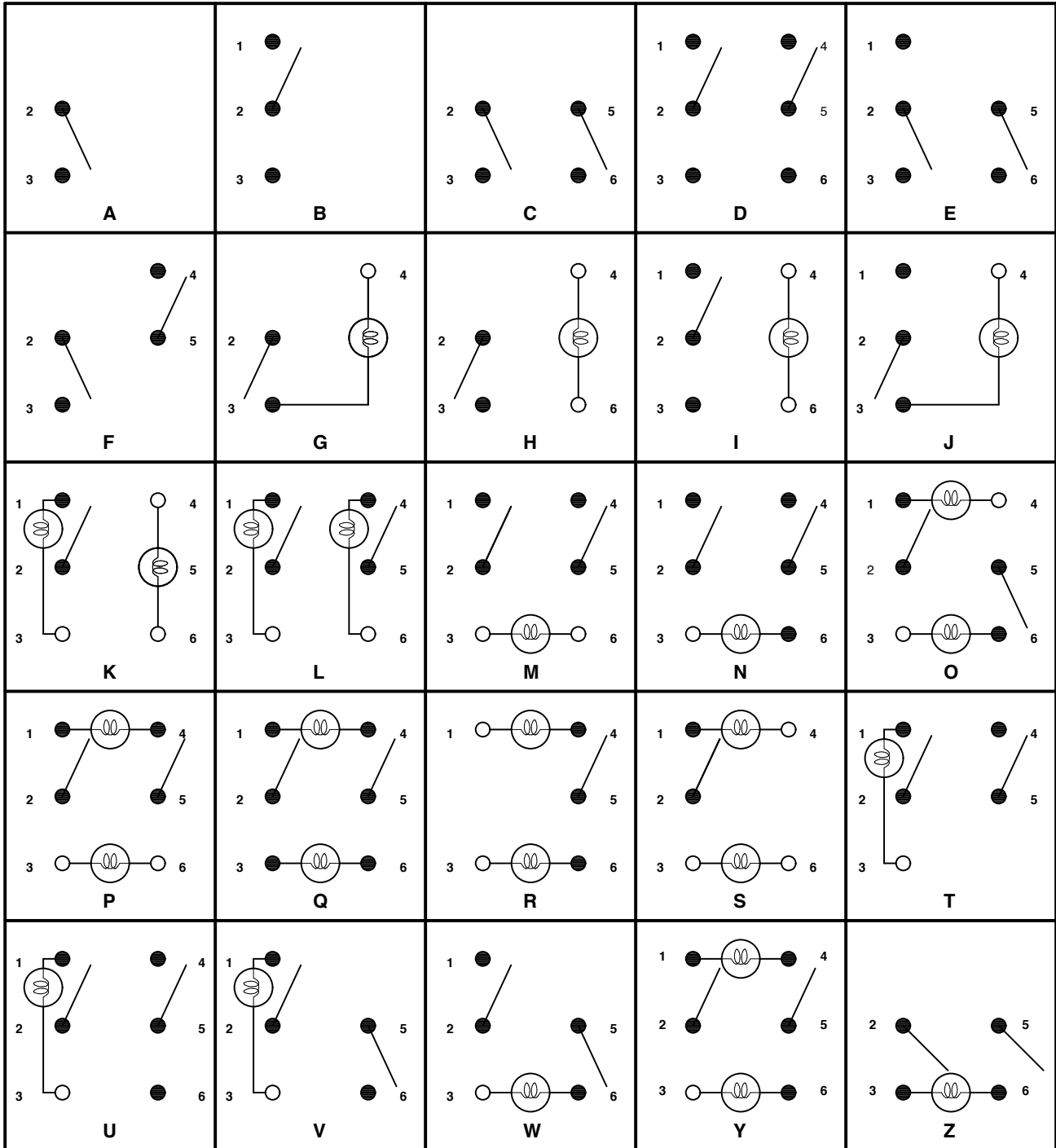
<b>8 ACTUATOR STYLE</b> <sup>2</sup>		<b>PS</b>	Short Paddle
<b>P</b>	Paddle	<b>T</b>	Rocker
<b>9 ACTUATOR COLOR</b>		<b>lighted</b>	
<b>unlighted</b> <sup>2</sup>		<b>A</b>	Amber
<b>B</b>	Black	<b>C</b>	Clear
<b>W</b>	White	<b>G</b>	Green
		<b>LU</b>	Blue
		<b>R</b>	Red
<b>10 BASE COLOR</b> <sup>2</sup>		<b>B</b>	Black
		<b>W</b>	White
<b>11 LENS COLOR</b> <sup>1,3</sup>		<b>A</b>	Amber
<b>C</b>	Clear	<b>G</b>	Green
		<b>LU</b>	Blue
		<b>R</b>	Red
		<b>W</b>	White
<b>12 LAMP VOLTAGE</b> <sup>1</sup>		<b>neon</b>	
<b>incandescent</b>		<b>6V</b>	6 volt
<b>12V</b>	12 volt	<b>125N</b>	125 volt neon
<b>18V</b>	18 volt	<b>250N</b>	250 volt neon
<b>24V</b>	24 volt		
<b>28V</b>	28 volt		

Notes:  
Imprinting is available. Consult factory.  
Panel Cut-Out Recommendations: For sheet metal panels, switch must enter panel in same direction as the punch. (Burr on bottom.) Test cut hole in actual material.  
1 Neon Lamps not recommended with green or blue actuators and lenses.  
2 Custom colors are available. Consult factory.  
3 Specify lens color only if actuator is lighted paddle.  
4 Available with circuits G, H, I, J, K only.  
( ) Indicates momentary function.



\*Manufacturer reserves the right to change product specification without prior notice.

### Circuit Designation Chart:



● CONTACT TERMINAL  
Will make contact with switching lever

○ ISOLATED TERMINAL  
Does not make contact with switching lever

● CONTACT TERMINAL AND SWITCH LEVER

○ BULB

## Authorized Sales Representatives and Distributors

Click on a region of the map below to find your local representatives and distributors or visit [www.carlingtech.com/findarep](http://www.carlingtech.com/findarep).



## About Carling

Founded in 1920, Carling Technologies is a leading manufacturer of electrical and electronic switches and assemblies, circuit breakers, electronic controls, power distribution units, and multiplexed power distribution systems. With four ISO9001 and IATF16949 registered manufacturing facilities and technical sales offices worldwide, Carling Technologies Sales, Service and Engineering teams do much more than manufacture electrical components, they engineer powerful solutions! To learn more about Carling please visit [www.carlingtech.com/company-profile](http://www.carlingtech.com/company-profile).

To view all of Carling's environmental, quality, health & safety certifications please visit [www.carlingtech.com/environmental-certifications](http://www.carlingtech.com/environmental-certifications)

## **Worldwide Headquarters**

Carling Technologies, Inc.  
60 Johnson Avenue, Plainville, CT 06062  
**Phone:** 860.793.9281 **Fax:** 860.793.9231  
**Email:** sales@carlingtech.com

**Northern Region Sales Office:** nrsm@carlingtech.com  
**Southeast Region Sales Office:** sersm@carlingtech.com  
**Midwest Region Sales Office:** mrrsm@carlingtech.com  
**West Region Sales Office:** wrsm@carlingtech.com  
**Latin America Sales Office:** larsm@carlingtech.com

## **Asia-Pacific Headquarters**

Carling Technologies, Asia-Pacific Ltd.,  
Suite 1607, 16/F Tower 2, The Gateway,  
Harbour City, 25 Canton Road,  
Tsimshatsui, Kowloon, Hong Kong  
**Phone:** Int + 852-2737-2277 **Fax:** Int + 852-2736-9332  
**Email:** sales@carlingtech.com.hk

**Shenzhen, China:** shenzhen@carlingtech.com  
**Shanghai, China:** shanghai@carlingtech.com  
**Pune, India:** india@carlingtech.com  
**Kaohsiung, Taiwan:** taiwan@carlingtech.com  
**Yokohama, Japan:** japan@carlingtech.com

## **Europe | Middle East | Africa Headquarters**

Carling Technologies LTD  
4 Airport Business Park, Exeter Airport,  
Clyst Honiton, Exeter, Devon, EX5 2UL, UK  
**Phone:** Int + 44 1392.364422 **Fax:** Int + 44 1392.364477  
**Email:** ltd.sales@carlingtech.com

**Germany:** gmbh@carlingtech.com  
**France:** sas@carlingtech.com



**Carling Technologies®**

Innovative Designs. Powerful Solutions.

## X-ON Electronics

Largest Supplier of Electrical and Electronic Components

*Click to view similar products for [Carling](#) manufacturer:*

Other Similar products are found below :

[2FAA01-73-XG](#) [LTA101-TR-B-R/125N](#) [LTLA60-1L-BL-RC-A/125N](#) [LTILB51-6S-BL-AM-NBL/6V](#) [62111922-0-0-N](#) [62115919-E-0-V](#)  
[CT1-X0-04-185-321-C](#) [6GM5L-NWH3](#) [MA1-B-74-410-1-A25-2-M](#) [MAAOA-BL/ON-OFF](#) [MD1-B-24-615-1-A36-B-D](#) [MD1-B-34-615-3-A15-B-C](#) [ME1-B-32-410-1-A14-2-E](#) [ME1-B-32-420-1-A14-2-E](#) [ME1-B-32-430-1-A14-2-E](#) [MF2-B-34-620-1-BF4-B-C](#) [MF2-B-92-625-2-CC2-B-C](#) [MF2-B-94-475-1-HC4-2-C](#) [MG1-B-30-440-1-EE2-B-C](#) [MG1-B-32-410-3-JF1-7-C](#) [MG1-B-32-480-3-JF1-7-C](#) [MG1-B-32-490-3-MF1-7-C](#) [MG1-B-32-610-3-FF1-7-C](#) [MG1-B-32-615-3-FF1-7-C](#) [MG1-B-32-625-3-FF1-7-C](#) [MG1-B-32-625-3-JF1-7-C](#) [800931-004](#) [MM1-B-34-450-1-2AA-B-C](#) [GA2-B0-14-650-1D-MG](#) [A11-B0-34-615-131-E](#) [A12-B0-34-615-131-E](#) [A12-B0-34-620-131-E](#) [A33-A0-03-650-22A-E](#) [AA1-B0-14-425-2G1-C](#) [AA1-B0-22-615-1B1-C](#) [AA1-B0-34-450-3B1-C](#) [AA2-B0-34-630-3G1-C](#) [AA2-X0-16-284-421-4](#) [AA3-B0-24-450-1B1-C](#) [AB2-B0-22-475-4D1-C](#) [AB2-B0-34-620-3B1-C](#) [AC1-B0-24-450-1F2-C](#) [AC1-B0-34-610-231-D](#) [AC1-B0-34-620-3B1-C](#) [AC1-X0-04-239-5H3-D](#) [AC2-B0-34-610-133-D](#) [AC2-B0-34-620-131-D](#) [RA211-RB-B-E-N](#) [RA911-RB-B-X-N-XGN1](#) [RB911-RB-B-0-N-XN](#)