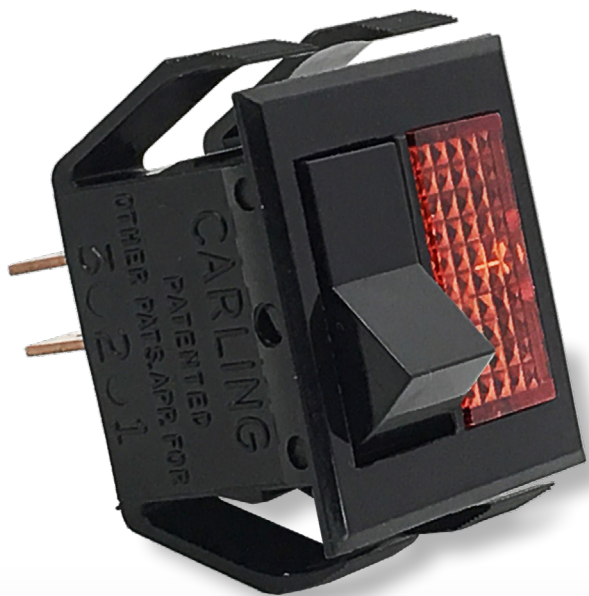


# TLG-Series

Rocker Switches

**PRODUCT WEBPAGE**

*request sample, configure part*



The TLG-Series Mid-Sized Tippet snap-in rocker switches are single pole, rocker or paddle actuated with an adjacent indicator light. These single-actuator-switches are AC rated to 15 amps and are also suitable for low voltage DC applications.

<b>1</b>	<b>5-15</b>	<b>125-250</b>	<b>6-28</b>
Pole	Amps	VAC	VDC

## Typical Applications

- Appliances
- Transportation
- Medical
- HVAC
- Commercial Food

# Tech Specs

## Dielectric Strength

UL/CSA: 1000V - live to dead metal parts

## Electrical Life

50,000 cycles - maintained  
25,000 cycles - momentary

## Operating Temperature

32°F to 185°F (0°C to 85°C)

# Ordering Scheme

Sample Part Number **TLG G - D R - TA 20 1 - T B - B W / 125N**

Selection 1 2 3 4 5 6 7 8 9 10 11 12

### 1. SERIES

**TLG** Single Pole with adjacent Indicator Light

### 2. CIRCUIT see next page for diagram

Available with circuits G, H, I, J, K

### 3. LENS DESIGN

**D** Diamond **L** Long Line

### 4. LENS COLOR

**A** Amber **G** Green **W** White  
**C** Clear **R** Red

### 5. BASIC SWITCH NUMBER

**TA** On-None-Off **TC** On-Off-On  
**TB** On-None-On **LTA** On-None-Off, Lighted

### 6. RATING

**10** 5A 250VAC, 10A 125VAC, 1/2HP 125-250VAC  
**20** 10A 250VAC, 15A 125VAC, 3/4HP 125-250VAC  
**21** 10A 250VAC, 15A 125VAC

### 7. TERMINATION / FUNCTION

	Solder Lug	.250 Tab QC	.187 Tab QC	Wire Leads
On-None-Off	0	1	3	5
(On)-None-Off	A	B	D	F
On-None-(Off)	L	M	R	T
On-None-On	0	1	3	5
On-None-(On)	A	B	D	F
On-Off-On	0	1	3	5

### 8. ACTUATOR STYLE <sup>2</sup>

**P** Paddle  
**T** Rocker  
**PS** Short Paddle

### 9. ACTUATOR COLOR

**unlighted** <sup>2</sup>  
**B** Black  
**W** White

**lighted**  
**A** Amber  
**C** Clear  
**G** Green  
**LU** Blue  
**R** Red

### 10. BASE COLOR <sup>2</sup>

**B** Black **W** White

### 11. LENS COLOR <sup>1,3</sup>

**A** Amber **G** Green **R** Red  
**C** Clear **LU** Blue **W** White

### 12. LAMP VOLTAGE <sup>1</sup>

**incandescent** **neon**  
**6V** 6 volt **125N** 125 volt neon  
**12V** 12 volt **250N** 250 volt neon  
**18V** 18 volt  
**24V** 24 volt  
**28V** 28 volt

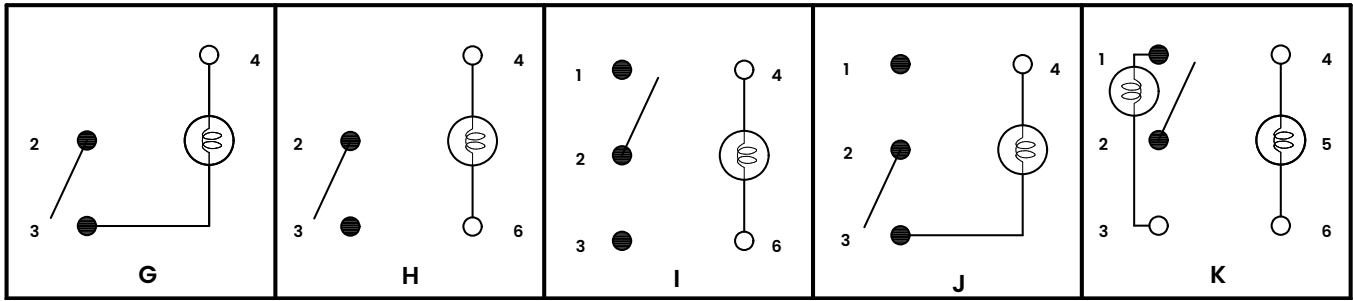
Notes: Imprinting is available. Consult factory.  
Panel Cut-Out Recommendations: For sheet metal panels, switch must enter panel in same direction as the punch. (Burr on bottom.) Test cut hole in actual material.  
<sup>1</sup> Neon Lamps not recommended with green or blue actuators and lenses.  
<sup>2</sup> Custom colors are available. Consult factory.  
<sup>3</sup> Specify lens color only if actuator is lighted paddle.  
( ) Indicates momentary function.

[Configure Complete Part Number >](#)

[Browse Standard Parts >](#)

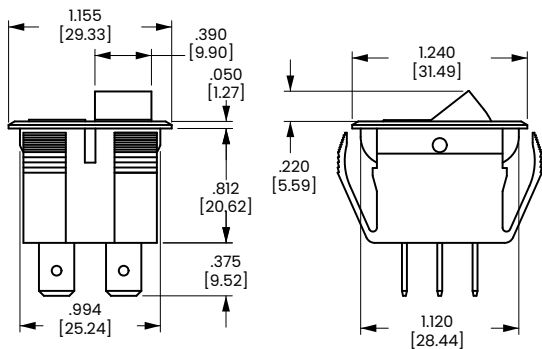
# Ordering Scheme Diagram

## 2. CIRCUIT

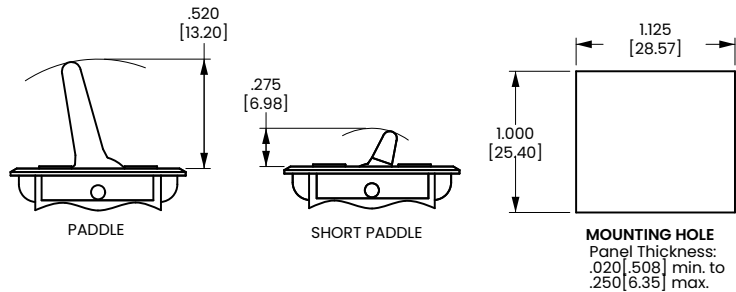


# Dimensional Specs

inches [millimeters]



<p>.069 [1.75] DIA .250 [6.35]</p>	<p>.156 [1.75] DIA .375 [9.52] .250 [6.35]</p>	<p>.055 [1.75] DIA .250 [6.35] .187 [4.74]</p>	<p>6.000 [152.40] .500 [12.70]</p>
TERMINAL TYPE			



## Authorized Sales Representatives and Distributors

Click on a region of the map below to find your local representatives and distributors or visit [www.carlingtech.com/findarep](http://www.carlingtech.com/findarep).



## About Carling

Founded in 1920, Carling Technologies is a leading manufacturer of electrical and electronic switches and assemblies, circuit breakers, electronic controls, power distribution units, and multiplexed power distribution systems. With six ISO9001 and IATF16949 registered manufacturing facilities and technical sales offices worldwide, Carling Technologies Sales, Service and Engineering teams do much more than manufacture electrical components, they engineer powerful solutions! To learn more about Carling please visit [www.carlingtech.com/company-profile](http://www.carlingtech.com/company-profile).

To view all of Carling's environmental, quality, health & safety certifications please visit [www.carlingtech.com/environmental-certifications](http://www.carlingtech.com/environmental-certifications).

© Carling Technologies, Inc.

4. Carling, Tippet are registered trademarks of Carling Technologies, Inc. in the U.S. and other countries.

## X-ON Electronics

Largest Supplier of Electrical and Electronic Components

*Click to view similar products for [Rocker Switches](#) category:*

*Click to view products by [Carling](#) manufacturer:*

Other Similar products are found below :

[LTI LA6E-1S-WH-RC-FN12VXCR1](#) [6-1571986-9](#) [8007K26N324V52](#) [8055K32Z7V](#) [8055K52Z7V](#) [8138K20E6M50](#) [84206L](#) [84312LX](#)  
[PREDD5-07F-BB0GW](#) [999-16716-002](#) [999-16716-003](#) [999-16716-004](#) [A101J1V3Q004](#) [A101J2ZQ004](#) [A101J4ZQ004](#) [A101J51CB0004](#)  
[A103J1ZQ004](#) [A201J1AQ004](#) [A201J3ZB004](#) [A201J50ZQ004](#) [A203J51ZQ0004](#) [A435S1YZQ](#) [H8500XBBBBL-A](#) [H8653VBBG2577W](#)  
[HB130CHNWWNAAC](#) [R13112ABB-602W](#) [1251.0303](#) [AE205J60V3B004](#) [1352.0107](#) [1571099-3](#) [1571987-4](#) [1571987-5](#) [1571989-7](#)  
[1571988-5](#) [B123J77V7B2](#) [B226J50W4Q22P](#) [B433J37ZQ22M](#) [160212E](#) [1634200-7](#) [1801.1164](#) [1839.1502](#) [PANEL-PLUG-VHP-BLACK](#)  
[PANEL-PLUG-VHP-WT](#) [K1ABBSCADN](#) [KG312A2DXD246X](#) [250011E714](#) [2600HM11E](#) [2600R21E](#) [2637LH/2A7/122048L0](#)  
[2639LH/2A7/127000L0](#)