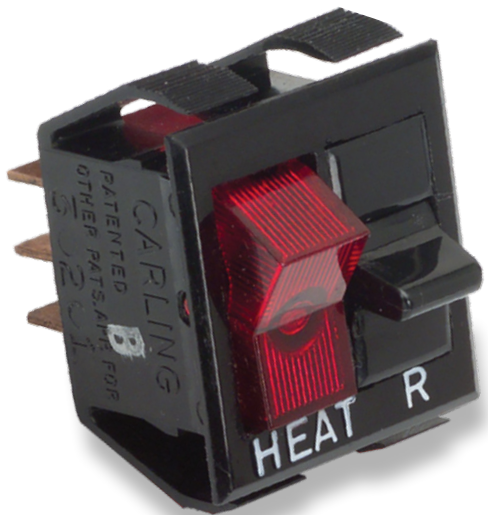
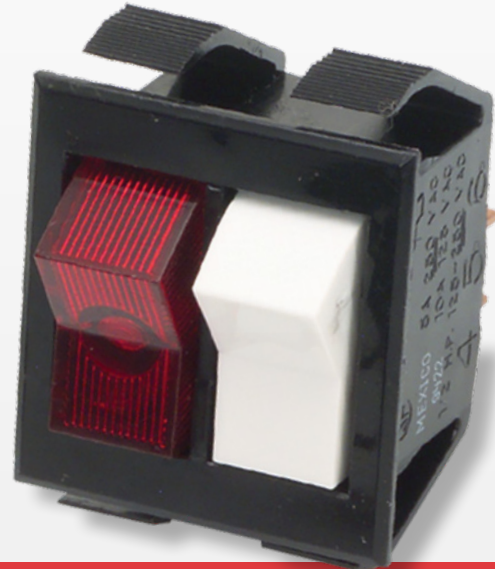


TTG-Series

Rocker Switches

PRODUCT WEBPAGE

request sample, configure part



The TTG-Series Mid-Sized Tippet snap-in rocker switches consist of two single pole illuminated or non-illuminated switches in a common base. Each pole can have the same or different switch function. These switches are AC rated up to 15 amps and are also suitable for low-voltage DC applications, in a wide range of markets.

2
Poles

5-15
Amps

125-250
VAC

6-28
VDC

Typical Applications

- Appliances
- HVAC
- Transportation
- Commercial Food
- Medical

Tech Specs

Dielectric Strength

UL/CSA: 1000V - live to dead metal parts

Electrical Life

50,000 cycles - maintained
25,000 cycles - momentary

Operating Temperature

32°F to 185°F (0°C to 85°C)

Ordering Scheme

Sample Part Number: **TTG T - TA 20 1 - T B - B / LTA 20 1 P B - B R / 125N**

Selection: 1 2 3 4 5 6 7 8 / 3 4 5 6 7 8 9 10

Labels: Base Only, Switch 1, Switch 2

1. SERIES

TTG Two Single Pole switches in one base

2. CIRCUIT

See next page for diagram

Available with circuits A, B, C, D, E, F, L, T, U

3. BASIC SWITCH NUMBER

TA On-None-Off **TC** On-Off-On
TB On-None-On **LTA** On-None-Off, Lighted

4. RATING

10 5A 250VAC, 10A 125VAC, 1/2HP 125-250VAC
20 10A 250VAC, 15A 125VAC, 3/4HP 125-250VAC
21 10A 250VAC, 15A 125VAC

5. TERMINATION / FUNCTION

	Solder Lug	.250 Tab QC	.187 Tab QC	Wire Leads
On-None-Off	0	1	3	5
(On)-None-Off	A	B	D	F
On-None-(Off)	L	M	R	T
On-None-On	0	1	3	5
On-None-(On)	A	B	D	F
On-Off-On	0	1	3	5

6. ACTUATOR STYLE

P Paddle
T Rocker
PS Short Paddle

7. ACTUATOR COLOR

unlighted¹
B Black
W White

lighted²
A Amber
C Clear
G Green
LU Blue
R Red

8. BASE COLOR

B Black **W** White

9. LENS COLOR

A Amber **G** Green **R** Red
C Clear **LU** Blue **W** White

10. LAMP VOLTAGE

incandescent
6V 6 volt
12V 12 volt
18V 18 volt
24V 24 volt
28V 28 volt

neon
125N 125 volt neon
250N 250 volt neon

Notes: Imprinting is available. Consult factory. Panel Cut-Out Recommendations: For sheet metal panels, switch must enter panel in same direction as the punch. (Burr on bottom.) Test cut hole in actual material.

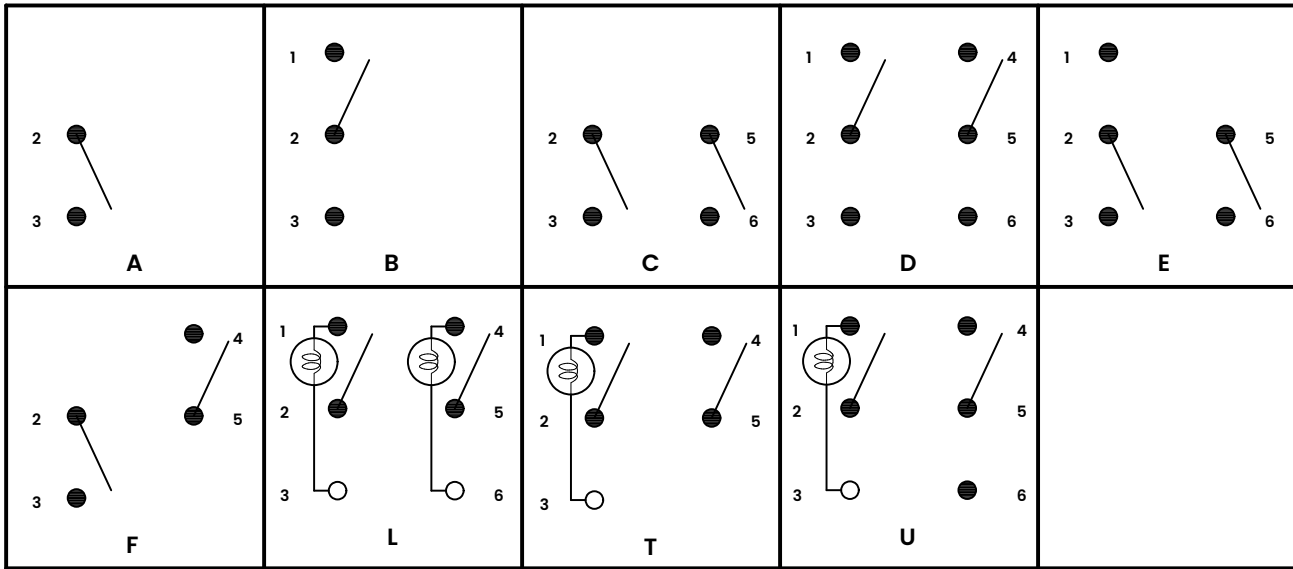
- ¹ Custom colors are available. Consult factory.
- ² Specify lens color for LTA with rocker only.
- ³ Specify lens color for LTA with paddle actuators only.
- () Indicates momentary function.

[Configure Complete Part Number >](#)

[Browse Standard Parts >](#)

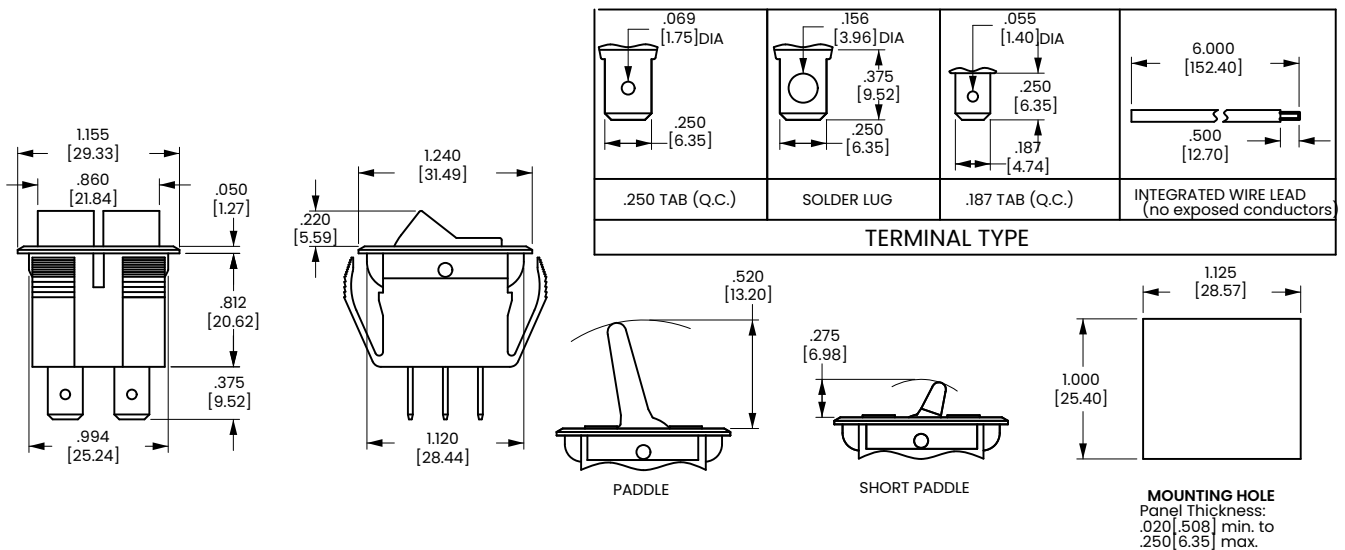
Ordering Scheme Diagram

2. CIRCUIT



Dimensional Specs

inches [millimeters]



Authorized Sales Representatives and Distributors

Click on a region of the map below to find your local representatives and distributors or visit www.carlingtech.com/findarep.



About Carling

Founded in 1920, Carling Technologies is a leading manufacturer of electrical and electronic switches and assemblies, circuit breakers, electronic controls, power distribution units, and multiplexed power distribution systems. With six ISO9001 and IATF16949 registered manufacturing facilities and technical sales offices worldwide, Carling Technologies Sales, Service and Engineering teams do much more than manufacture electrical components, they engineer powerful solutions! To learn more about Carling please visit www.carlingtech.com/company-profile.

To view all of Carling's environmental, quality, health & safety certifications please visit www.carlingtech.com/environmental-certifications.

© Carling Technologies, Inc.

4. Carling, Tippet are registered trademarks of Carling Technologies, Inc. in the U.S. and other countries.

X-ON Electronics

Largest Supplier of Electrical and Electronic Components

Click to view similar products for [Rocker Switches](#) category:

Click to view products by [Carling](#) manufacturer:

Other Similar products are found below :

[LTI LA6E-1S-WH-RC-FN12VXCR1](#) [6-1571986-9](#) [8007K26N324V52](#) [8055K32Z7V](#) [8055K52Z7V](#) [8138K20E6M50](#) [84206L](#) [84312LX](#)
[PREDD5-07F-BB0GW](#) [999-16716-002](#) [999-16716-003](#) [999-16716-004](#) [A101J1V3Q004](#) [A101J2ZQ004](#) [A101J4ZQ004](#) [A101J51CB0004](#)
[A103J1ZQ004](#) [A201J1AQ004](#) [A201J3ZB004](#) [A201J50ZQ004](#) [A203J51ZQ0004](#) [A435S1YZQ](#) [H8500XBBBBL-A](#) [H8653VBBG2577W](#)
[HB130CHNWWNAAC](#) [R13112ABB-602W](#) [1251.0303](#) [AE205J60V3B004](#) [1352.0107](#) [1571099-3](#) [1571987-4](#) [1571987-5](#) [1571989-7](#)
[1571988-5](#) [B123J77V7B2](#) [B226J50W4Q22P](#) [B433J37ZQ22M](#) [160212E](#) [1634200-7](#) [1801.1164](#) [1839.1502](#) [PANEL-PLUG-VHP-BLACK](#)
[PANEL-PLUG-VHP-WT](#) [K1ABBSCADN](#) [KG312A2DXD246X](#) [250011E714](#) [2600HM11E](#) [2600R21E](#) [2637LH/2A7/122048L0](#)
[2639LH/2A7/127000L0](#)