

# VP-Series

## VP-Series

### CONTURA ILLUMINATED INDICATORS

The Illuminated Indicator is offered with removable/replaceable lamps, Contura styling, and LED illumination. As a critical safety feature, it's illumination alerts the operator of essential system functions or malfunctions like: oil pressure, high temperature, transmission or other fluid levels, parking brake, or general system malfunction. Three different style housings (flush, raised panel, oval) assure seamless integration with Contura switches and into most any dashboard panel.



#### Product Highlights:

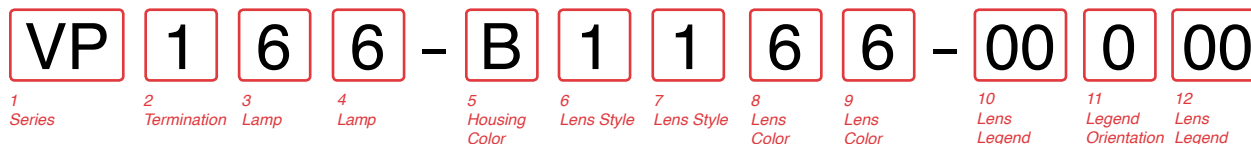
- 3 Styles to choose from
- Single or double window Illumination
- 25 lens colors and configurations
- Available connector for easily installation

#### Typical Applications:

- Transportation



## Flush Housing:



### 1 SERIES

**VP** Illuminated plug for V and J Mounting Hole  
**H2** Housing only  
**H3** Lamp module only

### 2 TERMINATION

**1** .250 TAB (QC)

### 3, 4 LAMP<sup>4</sup>

No lamp	<b>0</b>				
Neon	<b>1</b> 125VAC	<b>2</b> 250VAC			
Incandescent	<b>4</b> 3V	<b>5</b> 6V	<b>6</b> 12V	<b>7</b> 18V	<b>8</b> 24V
LED*	Amber	Green	Red		
2VDC	<b>L</b>	<b>F</b>	<b>R</b>		
6VDC	<b>M</b>	<b>G</b>	<b>S</b>		
12VDC	<b>N</b>	<b>H</b>	<b>T</b>		
24VDC	<b>P</b>	<b>J</b>	<b>V</b>		

\*Typical current draw for LED is 20ma.

### 5 FLUSH HOUSING COLOR / STYLE

**B** Black / Rectangular  
**W** White / Rectangular  
**R** Red / Rectangular  
**G** Gray / Rectangular  
**1** Black / Oval (Contura V)

### 6, 7 LENS STYLE<sup>5</sup>

**Z** No Lens  
**1** Transparent Diamond Square  
**2** Translucent Square<sup>9</sup>  
**3** Laser Etched 10  
**4** Transparent Oval  
**5** Translucent Oval  
**6** Laser Etched Oval 10

### 8, 9 LENS COLOR<sup>6, 11</sup>

<b>Z</b>	No Lens					Lens Style
Clear	<b>9</b>	<b>E</b>	<b>K</b>	<b>R</b>	<b>W</b>	One piece lens
<b>4</b>	<b>9</b>	<b>E</b>	<b>K</b>	<b>R</b>	<b>W</b>	Two piece lens*
<b>5</b>	<b>A</b>	<b>F</b>	<b>L</b>	<b>S</b>	<b>Y</b>	(with <b>clear top</b> protective lens)
<b>2</b>	<b>7</b>	<b>C</b>	<b>H</b>	<b>N</b>	<b>U</b>	Two piece lens*
						(with <b>smoke top</b> protective lens)
<b>1</b>	<b>6</b>	<b>B</b>	<b>G</b>	<b>M</b>	<b>T</b>	Two piece lens*
						(with <b>white top</b> protective lens)

\*All bottom lenses are molded of opaque material. Consult factory for other lens colors.

### 10 LENS LEGEND OVER LAMP 1<sup>7</sup>

**00** No legend  
 For legend options, visit us at [carlingtech.com](http://carlingtech.com)

### 11 LEGEND ORIENTATION

<b>0</b>	No legend				
<b>1</b>	Orientation 1				
<b>2</b>	Orientation 2				
<b>3</b>	Orientation 3				
<b>4</b>	Orientation 4				

### 12 LENS LEGEND OVER LAMP 2<sup>7</sup>

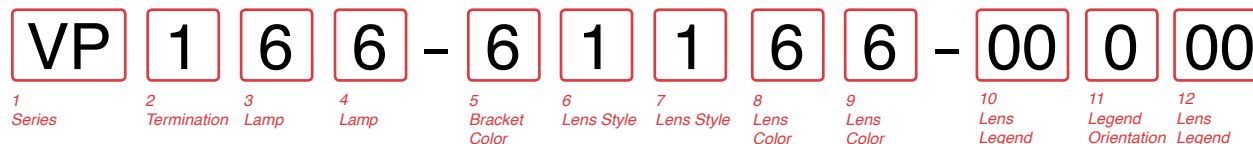
**00** No legend  
 For legend options, visit us at [carlingtech.com](http://carlingtech.com)

#### Notes:

- To order housing only, specify H2 followed by fields 5-11.
- To order lamp module only, specify H3 followed by fields 2-3.
- To order connector housing specify HP1-01 (black).
- Field 3 specifies lamp 1 is located over terminals 1A & 1B. Field 4 specifies lamp 2 is located over terminals 2A & 2B.
- Field 6 specifies lens 1 is located over terminals 1A & 1B. Field 7 specifies lens 2 is located over terminals 2A & 2B. Field 8 specifies lens 1 is located over terminals 1A & 1B. Field 9 specifies lens 2 is located over terminals 2A & 2B.
- Field 10 specifies legend is over lens 1. Field 12 specifies legend is over lens 2.
- Field 10 specifies legend is over lens 1. Field 12 specifies legend is over lens 2.
- If only one lens is chosen, it will be located over terminals 1A & 1B.
- Translucent lens is available with two piece lens option only.
- Laser etched option is available with one piece lens.
- Oval lens option is available as one piece lens.

\*Manufacturer reserves the right to change product specification without prior notice.

### Raised Bracket:



**1 SERIES**  
**VP** Illuminated plug for V and J Mounting Hole

**2 TERMINATION**  
**1** .250 TAB (QC)  
**2** Solder Lug

**3, 4 LAMP 1**  
 No lamp **0**  
 Neon **1** 125VAC **2** 250VAC  
 Incandescent **4** 3V **5** 6V **6** 12V **7** 18V **8** 24V  
 LED\* Amber Green Red  
 2VDC **L** **F** **R**  
 6VDC **M** **G** **S**  
 12VDC **N** **H** **T**  
 24VDC **P** **J** **V**  
 \*Typical current draw for LED is 20ma.

**5 RAISED BRACKET / INSERT COLOR**  
**5** White / White  
**6** Black / Black  
**7** White / Black  
**8** Black / White

**6, 7 LENS STYLE 2**  
**Z** No Lens  
**1** Transparent Diamond Square  
**2** Translucent Square 6  
**3** Laser Etched 7

**8, 9 LENS COLOR 3**  
**Z** No Lens  
 Clear White Amber Green Red Blue Lens Style  
**4** **9** **E** **K** **R** **W** One piece lens  
**5** **A** **F** **L** **S** **Y** Two piece lens\*  
 (with **clear top** protective lens)  
**2** **7** **C** **H** **N** **U** Two piece lens\*  
 (with **smoke top** protective lens)  
**1** **6** **B** **G** **M** **T** Two piece lens\*  
 (with **white top** protective lens)  
 \*All bottom lenses are molded of opaque material. Consult factory for other lens colors.

**10 LENS LEGEND OVER LAMP 1 4**  
**00** No legend  
 For legend options, visit us at [carlingtech.com](http://carlingtech.com)

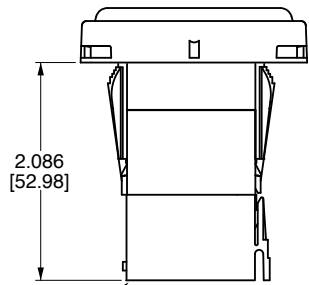
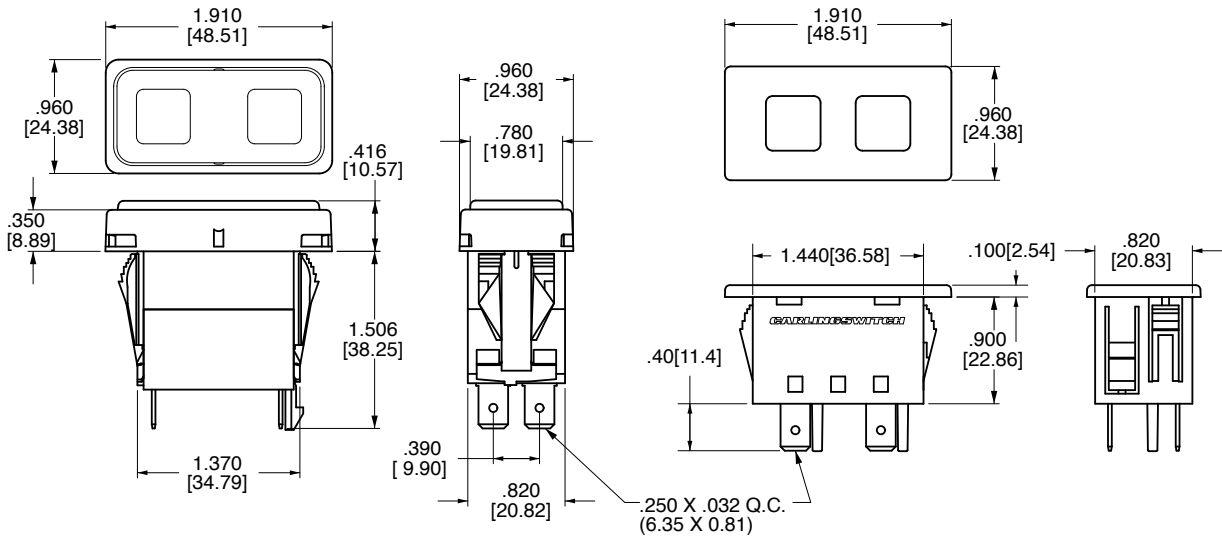
**11 LEGEND ORIENTATION**  
**0** No legend  
**1** Orientation 1  
**2** Orientation 2  
**3** Orientation 3  
**4** Orientation 4

**12 LENS LEGEND OVER LAMP 2 4**  
**00** No legend  
 For legend options, visit us at [carlingtech.com](http://carlingtech.com)

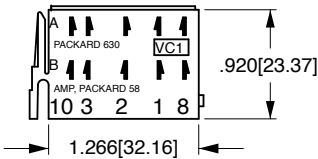
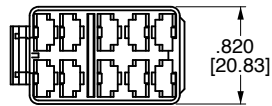
- Notes:
- Field 3 specifies lamp 1 is located over terminals 8 (+) & 7 (-).  
Field 4 specifies lamp 2 is located over terminals 10 (+) & 9 (-).
  - Field 6 specifies lens 1 is located over terminals 8 (+) & 7 (-).  
Field 7 specifies lens 2 is located over terminals 10 (+) & 9 (-).
  - Field 8 specifies lens 1 is located over terminals 8 (+) & 7 (-).  
Field 9 specifies lens 2 is located over terminals 10 (+) & 9 (-).
  - Field 10 specifies legend is over lens 1.  
Field 12 specifies legend is over lens 2.
  - If only one lens is chosen, it will be located over terminals 8 (+) & 7 (-).
  - Translucent lens is available with two piece lens option only.
  - Laser etched option is available with one piece lens.

\*Manufacturer reserves the right to change product specification without prior notice.

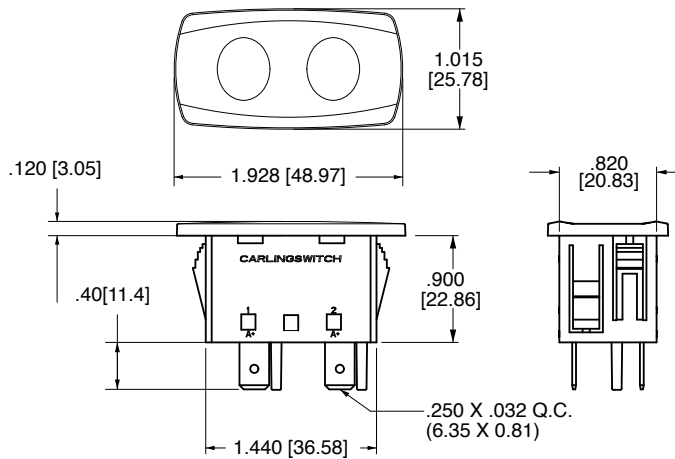
**Dimensional Specifications: in. [mm]**



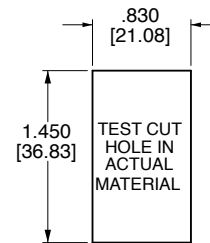
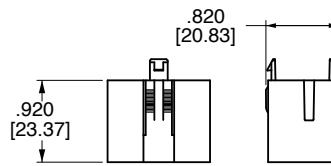
PLUG SHOWN WITH VC1 CONNECTOR



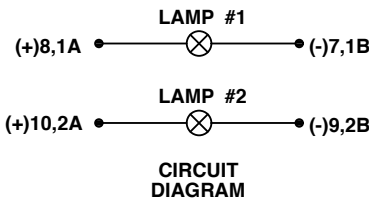
VC1 CONNECTOR HOUSING



HP1-01 ILLUMINATED PLUG CONNECTOR



ILLUMINATED PLUG MOUNTING HOLE (OVAL, FLUSH AND RAISED BEZELS)



(OVAL, FLUSH AND RAISED BEZELS) MOUNTING PANEL THICKNESSES:

.062[1.57]	.250[6.35]
.093[2.36]	.375[9.52]
.125[3.17]	.500[12.70]
.187[4.75]	

Notes:  
Oval and flush bezel styles use terminals 1A, 1B, 2A, 2B. Raised bezel style uses terminals 7, 8, 9, 10.

## Authorized Sales Representatives and Distributors

Click on a region of the map below to find your local representatives and distributors or visit [www.carlingtech.com/findarep](http://www.carlingtech.com/findarep).



## About Carling

Founded in 1920, Carling Technologies is a leading manufacturer of electrical and electronic switches and assemblies, circuit breakers, electronic controls, power distribution units, and multiplexed power distribution systems. With four ISO registered manufacturing facilities and technical sales offices worldwide, Carling Technologies Sales, Service and Engineering teams do much more than manufacture electrical components, they engineer powerful solutions! To learn more about Carling please visit [www.carlingtech.com/company-profile](http://www.carlingtech.com/company-profile).

To view all of Carling's environmental, quality, health & safety certifications please visit [www.carlingtech.com/environmental-certifications](http://www.carlingtech.com/environmental-certifications)

## **Worldwide Headquarters**

Carling Technologies, Inc.  
60 Johnson Avenue, Plainville, CT 06062  
**Phone:** 860.793.9281 **Fax:** 860.793.9231  
**Email:** sales@carlingtech.com

**Northern Region Sales Office:** nrsm@carlingtech.com  
**Southeast Region Sales Office:** sersm@carlingtech.com  
**Midwest Region Sales Office:** mrrsm@carlingtech.com  
**West Region Sales Office:** wrsm@carlingtech.com  
**Latin America Sales Office:** larsm@carlingtech.com

## **Asia-Pacific Headquarters**

Carling Technologies, Asia-Pacific Ltd.,  
Suite 1607, 16/F Tower 2, The Gateway,  
Harbour City, 25 Canton Road,  
Tsimshatsui, Kowloon, Hong Kong  
**Phone:** Int + 852-2737-2277 **Fax:** Int + 852-2736-9332  
**Email:** sales@carlingtech.com.hk

**Shenzhen, China:** shenzhen@carlingtech.com  
**Shanghai, China:** shanghai@carlingtech.com  
**Pune, India:** india@carlingtech.com  
**Kaohsiung, Taiwan:** taiwan@carlingtech.com  
**Yokohama, Japan:** japan@carlingtech.com

## **Europe | Middle East | Africa Headquarters**

Carling Technologies LTD  
4 Airport Business Park, Exeter Airport,  
Clyst Honiton, Exeter, Devon, EX5 2UL, UK  
**Phone:** Int + 44 1392.364422 **Fax:** Int + 44 1392.364477  
**Email:** ltd.sales@carlingtech.com

**Germany:** gmbh@carlingtech.com  
**France:** sas@carlingtech.com



**Carling Technologies®**

Innovative Designs. Powerful Solutions.

## X-ON Electronics

Largest Supplier of Electrical and Electronic Components

*Click to view similar products for [Rocker Switches](#) category:*

*Click to view products by [Carling](#) manufacturer:*

Other Similar products are found below :

[VKD2GHNB-00000-000](#) [VSD2GNNB-00000-000](#) [6-1571986-5](#) [6-1571986-9](#) [632422-4B-KD](#) [7036WWCDBX653+U622](#) [8055K52Z7V](#)  
[8138K20E6M50](#) [FMC18A2200002](#) [84206L](#) [84312LX](#) [PREDD4-07F-BB0FW](#) [PREDD5-07F-BB0GW](#) [PRFDD1-16F-BB000](#) [PRFDD3-16F-](#)  
[BB000](#) [1-1634201-0](#) [999-16702-001](#) [A101J2ZQ004](#) [A101J4ZQ004](#) [A101J51CB0004](#) [A107J51ZQ0004](#) [A201J1AQ004](#) [A201J1AV2Q004](#)  
[A201J3ZB004](#) [A201J50ZQ004](#) [A203J51ZQ0004](#) [A226L11YZQ](#) [A22L11A](#) [A435S1YZQ](#) [H8500XBBBBL-A](#) [H8653VBBG2577W](#)  
[HB130CHNWWNAAC](#) [1251.0303](#) [AE205J60V3B004](#) [RH110C2NBB](#) [1352.0107](#) [1363.0201](#) [AML25GBF2AA03GR](#) [1571099-3](#) [1571987-4](#)  
[1571987-5](#) [1571989-7](#) [B123J77V7B2](#) [B226J50W4Q22P](#) [B433J37ZQ22M](#) [160212E](#) [1801.1164](#) [1831.1102](#) [1833.3402](#) [1837.1118](#)